



EXCULSIVE COLLECTION



INDEX

Prestige Collection

Paris	7
Enzo	11
Manchester	15
Cube	19
Loft	23
Tokyo	27
Roma	31
Madrid	35

Full Size Collection

Full Size 5	41
Full Size 2	45
Full Size 3	49
Full Size 4	53
Full Size 1	57
Full Size Leaf	61
Full Size Bohem	67

Princely Collection

Soffia	71
Ocean	75
Twell	79
King Master	83
Serene Sofa	87

Harmony Collection

Silent Night	93
Wrinkl	97
NewForm	101
Stella	105
Moon	109
Vale ria	113
Verona	117
Special Mod	121
Signature	125

Elegance Collection

Oslo	131
Milano	135
Seossa	139
OSAKA	143
Imagine Box	147
Aurelia	151
Chester	155

Little Dreamers Collection

NOA	161
Butterfly	165
Aria	169
Rainbow	173
Balloon	177
Cat	181
Rabbit	185
Love	189
Bear	193
Luna	197
Car	201
Mirace Jr.	205
Full Size Kids	208

Nightstands	212
Benchs	214
Legs	216



Revella Bedding Our Story

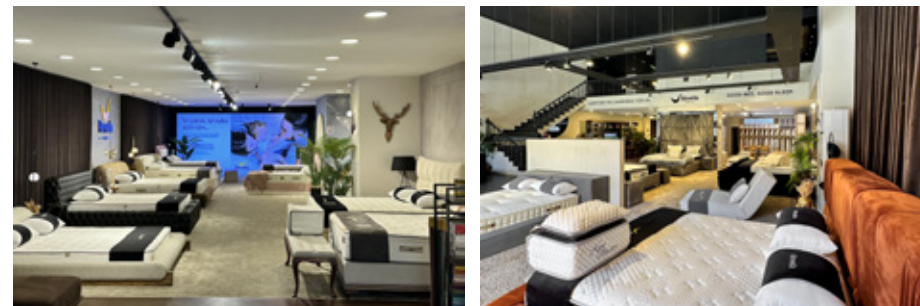
Welcome to the world of exclusive products Revella has prepared for you.

The furniture in our homes — where we live in peace — is far more than mere objects. They are living members of our family, sharing a lifetime of memories and experiences with us. There is a profound connection between the spaces we inhabit and how we make sense of the world. At Revella, we are dedicated to bringing comfort and relaxation into your bedroom, ensuring that your sleep becomes the most restful hours of your day.

With distinctive colours, patterns, and an ever-expanding range of new designs, we continuously enrich our product portfolio. Each piece is crafted to set trends and delight our valued customers.

If you are ready to embark on a journey of décor — where warm tones, premium fabrics, and exceptional quality come together to reflect your spirit and soothe your body — we invite you to visit our showrooms. Experience the Revella difference first-hand.

Choose the bed and mattress that is right for you, and discover how quality sleep can transform your quality of life.



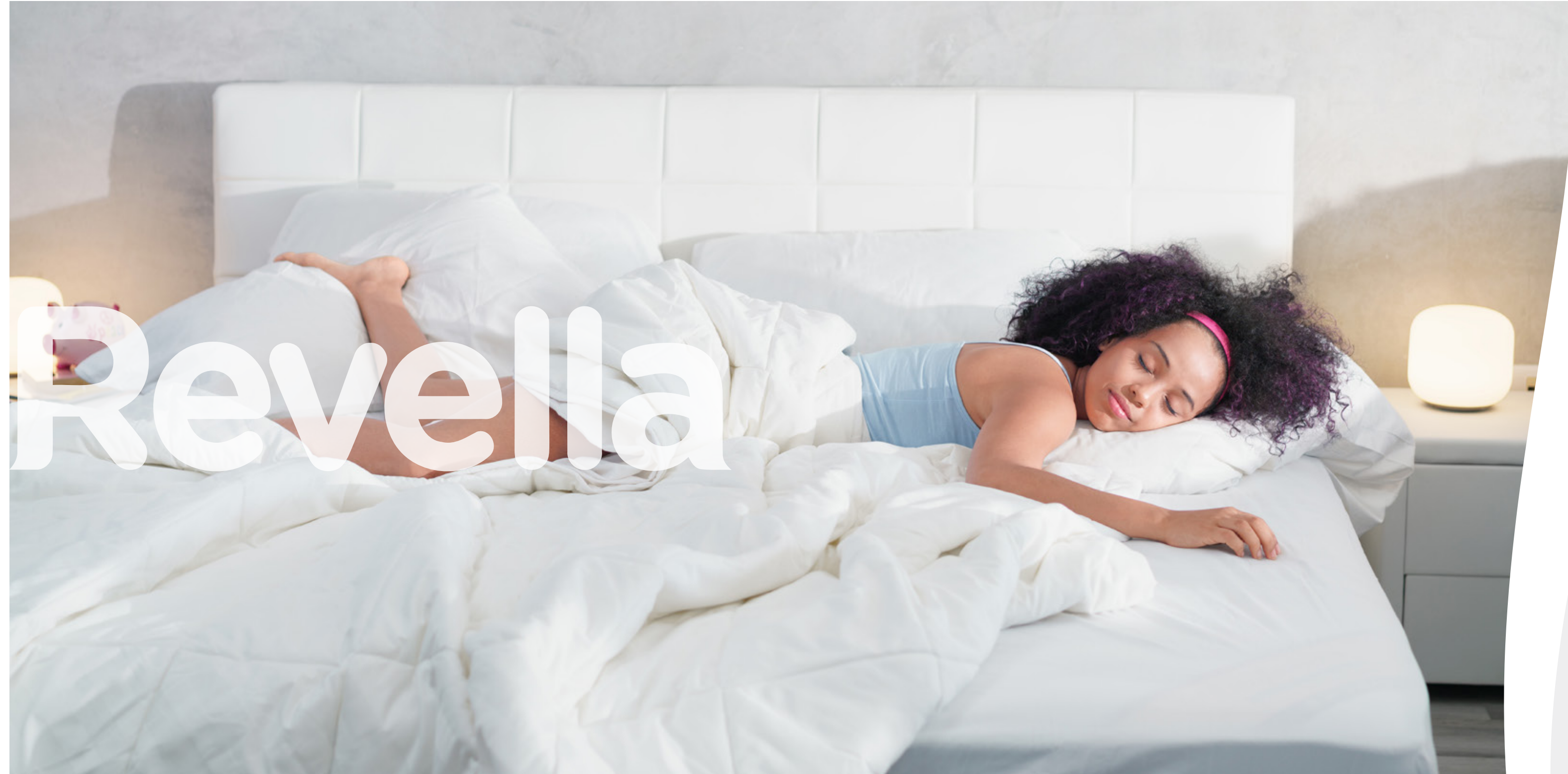


How to Choose the Right Mattress Size?

When determining your mattress size, partners lying side by side should be able to place their hands behind their necks without their elbows touching. This ensures a comfortable sleeping position. For single beds, you should be able to lie at one end and extend your arm to the other side with your elbow remaining within the mattress.



NEW COLLECTION



Prestige
Collection

Where prestige meets
luxury.



NEW
COLLECTION

Paris

Paris brings character to the bedroom with its bold stance and soft lines. The warmth of natural textures blends with modern contours to create a balanced yet striking atmosphere.

Its wide, comfortable headboard design lends a sense of completeness to the space, while the refined craftsmanship in every detail reflects a feeling of quality at first glance.

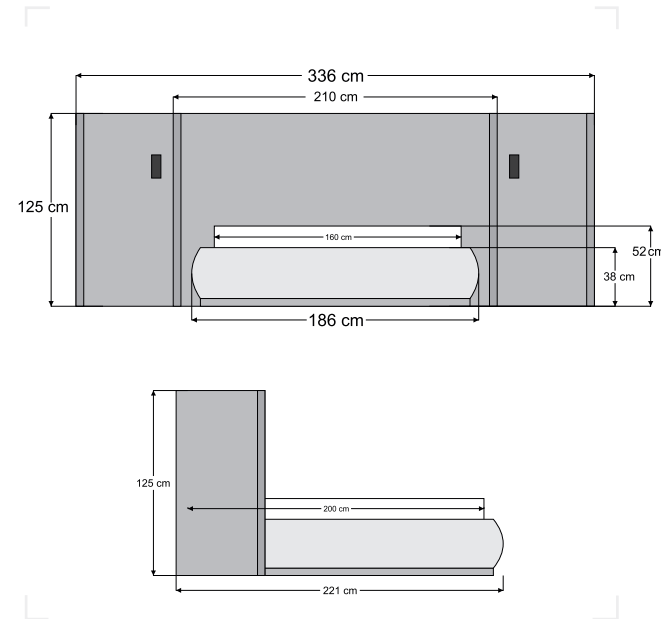
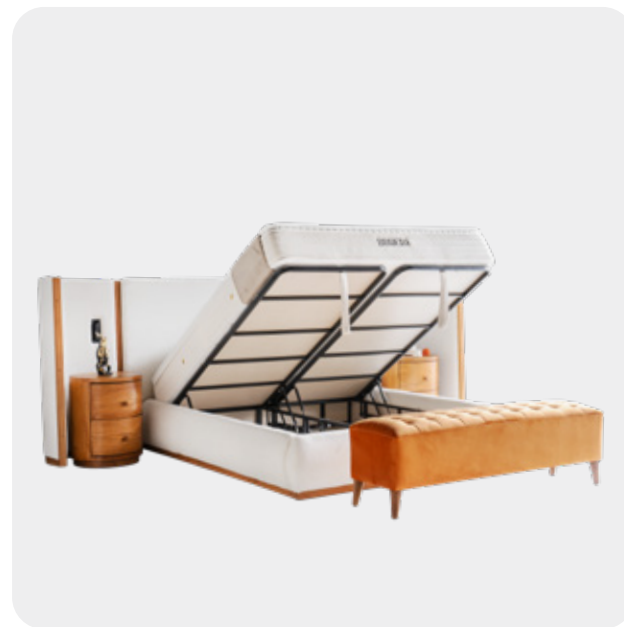
Simple, yet captivating...

Paris is not just a bed frame — it is a powerful design statement at the heart of your living space.



Paris

- Rust- and rot-resistant steel-construction internal frame.
- Rail-guided mechanism in the base chipboard panel to prevent noise and increase durability.
- 5 cm deep recessed basin system with specially upholstered surface to prevent mattress slipping.
- Full mattress-width storage compartment within the bed base.
- Gas struts and scissors reinforced with safety locks for secure operation.
- Ventilation capsules to prevent moisture build-up and odour.
- High-strength wooden legs for easy floor cleaning underneath.



Set Contents: PARIS SET / Paris Bed Base, Paris Headboard, Bohem Mattress, Paris Nightstand, Paris Pouf

BOHEM MATTRESS

The Bohem mattress is specially designed with visco foam and block foam to conform to the body's ergonomics, delivering comfort and balanced support. Visco foam adapts to body shape and distributes pressure evenly, while block foam provides long-lasting durability. Bohem offers a peaceful, uninterrupted sleep experience through its comfort, resilience, and solid construction.



3
Years
Warranty

↑ 27 cm

VISCO (MEMORY FOAM)

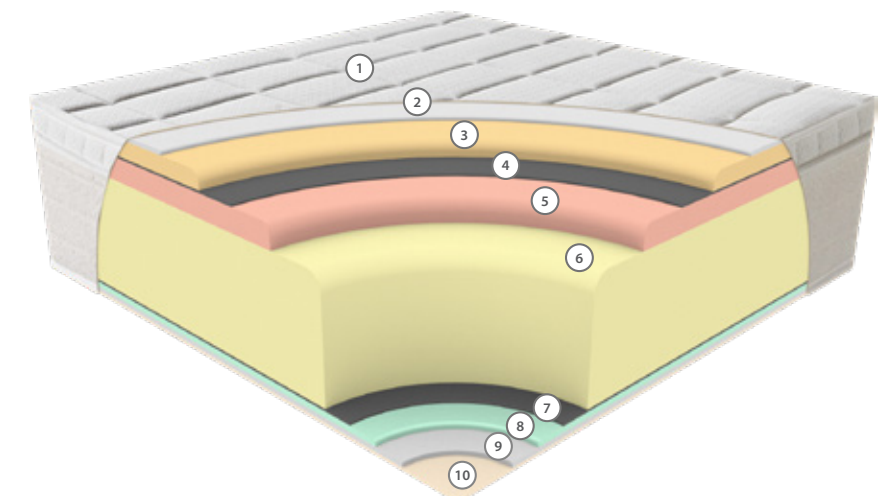
Visco (Memory Foam) is a special foam that conforms to body temperature and pressure, memorising body shape for maximum support. It distributes pressure evenly where the body contacts the mattress, reducing the load on the spine. The visco used in quilting delivers a soft, soothing, and enveloping sense of comfort.



BLOCK FOAM SYSTEM

The block foam system consists of high-density foam layers that form the mattress's main support structure. It provides balanced support to the body, helping to maintain the spine's natural alignment. The block foam used inside the mattress delivers a durable, long-lasting structure that retains its shape over time.

Mattress Firmness Chart	H1	H2	H3	H4
	Soft	Medium	Hard	Ultra Hard
60 - 80 kg				
80 - 100 kg				
100 - 120 kg				
120 - 150 kg				



- 1 Quilted Fabric
- 2 Cotton Fiber
- 3 Comfort Foam
- 4 Interlining
- 5 Memory foam
- 6 Block Comfort Foam
- 7 Interlining
- 8 Comfort Foam
- 9 Cotton Fiber
- 10 Quilted Fabric

- Plush Fabric
- Quilted Fabric
- Knitted Fabric
- Orthopedic
- One-Sided Use
- 4 Season Use
- Hyper Foam
- Roll Pack

90x190 90x200 100x200 120x200 140x190 140x200 150x200 160x200 180x200 200x200

NEW
COLLECTION



Enzo

A balanced harmony of sharp lines and soft touch. The floor-length light detail adds depth and creates a powerful ambiance throughout the room.

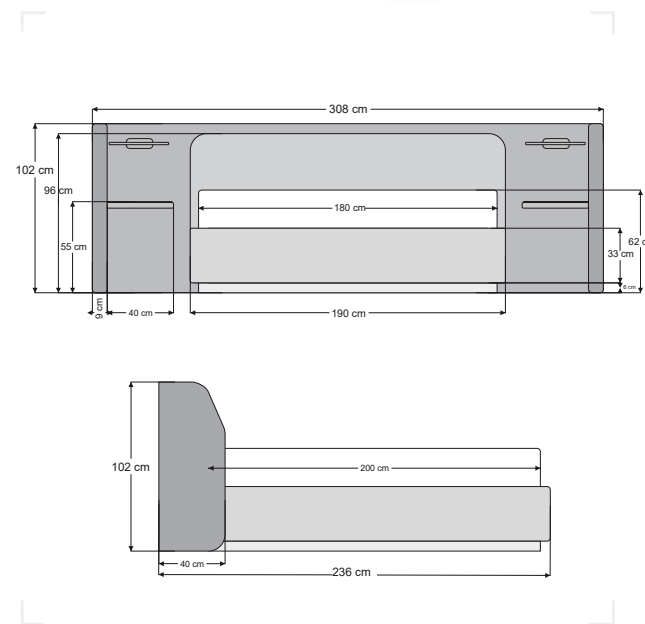
Its wide, comfort-focused headboard design offers both an aesthetic and functional experience. Thanks to its minimal lines, it lends a distinct character to modern interiors. Enzo stands out with its design and makes a difference with its comfort — a complete bedroom solution.



Enzo

BASE & HEADBOARD

- LED ambient lighting on the rear panel of the headboard.
- Decorative floor-level LED light system around the bed base. Two integrated reading lamps on the headboard side wings.
- Modern one-piece design integrating nightstand and headboard.
- Low-profile, sturdy, and well-balanced body form.
- Rust- and rot-resistant steel-construction internal frame.
- Rail-guided mechanism in the base chipboard panel to prevent noise and increase durability.
- 5 cm deep basin system to keep the mattress stable and balanced.
- Full mattress-width storage compartment within the bed base.
- Gas struts and scissors reinforced with safety locks.
- Ventilation capsules to prevent moisture and odour.



SILENT NIGHT MATTRESS

The Silent Night mattress combines comfort and balance in a simple yet effective design. Its cotton filling provides natural breathability throughout the night, while Hyper Soft foam gives the body a soft, welcoming feel. The 1000-count pocket spring system distributes body weight evenly, supporting the spine and providing motion isolation for an uninterrupted sleep experience. With its supportive foam layers and solid edge structure, it delivers balanced comfort at every point — an ideal and reliable mattress for daily use.



5
Years
Warranty

↑ 28
cm

COTTON

Cotton is one of the most natural, breathable mattress materials. It regulates body temperature, minimises perspiration, and creates a cool sleep environment. Soft on the skin and resistant to allergens.



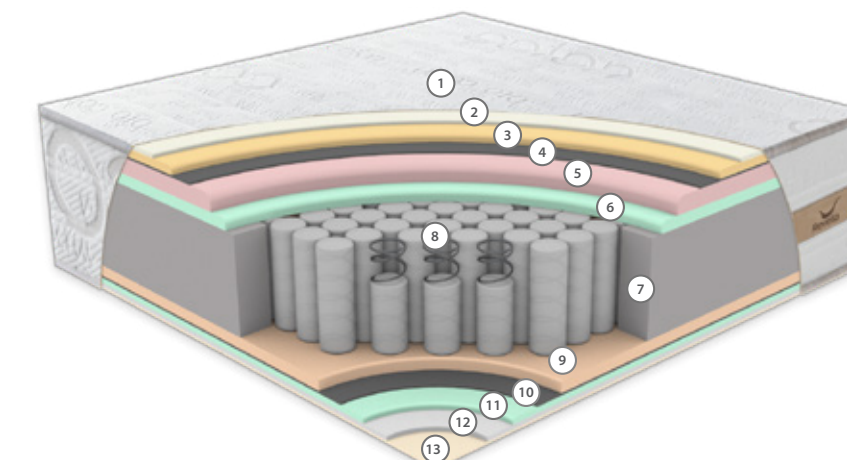
POCKET SPRING SYSTEM

Each spring sits in its own fabric pocket, providing tailored support to every body zone. This independent structure minimises motion transfer for a peaceful, superior-comfort sleep.

HYPER SOFT FOAM

Hyper Soft foam is a very soft, flexible special foam. It gives a soft touch where the body contacts the mattress. The Hyper foam used in quilting provides a plush fabric-like feel.

Mattress Firmness Chart	H1	H2	H3	H4
	Soft	Medium	Hard	Ultra Hard
60 - 80 kg				
80 - 100 kg				
100 - 120 kg				
120 - 150 kg				



- 1 Quilted Fabric
- 2 Cotton Fiber
- 3 Hyper Soft Sünger
- 4 Interlining
- 5 Soft Foam
- 6 Comfort Foam
- 7 Edge Support Foam
- 8 1000 Count Pocket Spring
- 9 Termo Felt
- 10 Interlining
- 11 Comfort Foam
- 12 Micro Fiber Filling
- 13 Quilted Fabric

- %100 Cotton
- Quilted Fabric
- Knitted Fabric
- Orthopedic
- One-Sided Use
- 4 Season Use
- Hyper Foam
- Pocket Spring System
- Roll Pack

NEW
COLLECTION

Manchester

With its deep quilted detailing and commanding silhouette, Manchester brings a refined and prestigious character to the bedroom.

Its classic design language is reinterpreted with modern lines, creating a timeless aesthetic.

The soft-touch surface enhances the feeling of comfort, while the durable structure ensures long-lasting use.

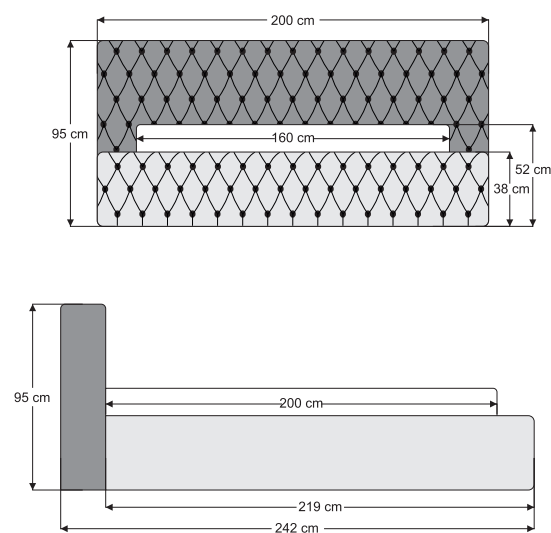
A striking yet balanced centrepiece for sophisticated bedroom interiors.



Manchester

BASE & HEADBOARD

- Rust- and rot-resistant steel-construction internal frame.
- Rail-guided mechanism on the base inner board that prevents noise and enhances durability.
- 5 cm deep recessed basin system with special upholstery to prevent the mattress from shifting.
- Full bed-width storage compartment in the base.
- Safety locks with reinforced shock absorbers and scissor hinges.
- Moisture- and odour-resistant ventilation capsules.
- High-strength wooden legs that allow easy floor cleaning.



WRINKLE MATTRESS

Designed with advanced double layer pocket spring technology and an extra-thick pillow top, Wrinkle perfectly contours the body to provide balanced support and superior comfort. Its pressure-optimizing structure ensures uninterrupted sleep throughout the night. With its soft touch and strong inner construction, it is specially developed for those who never compromise on comfort.



5
Years
Warranty

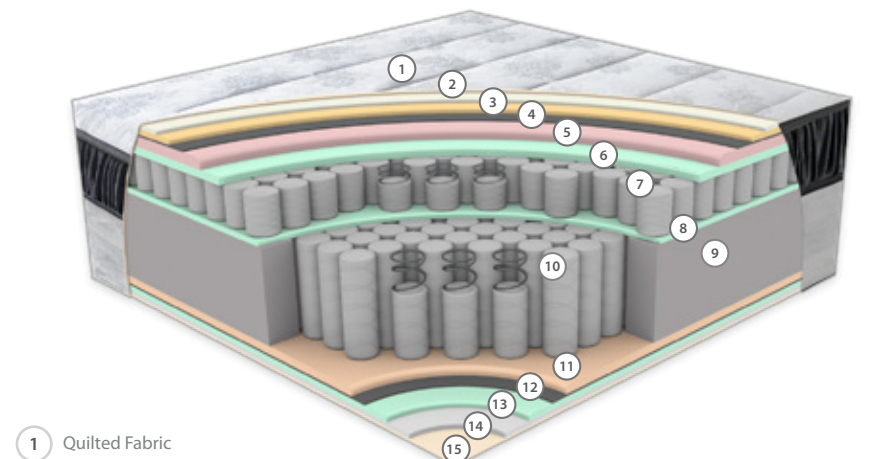
↑ 33
cm

ORTHOPEDIC

Designed to align your spine and reduce pressure points. Supports proper posture and enhances sleep quality.

DOUBLE LAYER POCKET SPRING SYSTEM

Independent springs in two layers provide precise support, reduce pressure, maintain spinal alignment and minimize motion transfer.



- 1 Quilted Fabric
- 2 Cotton Fiber
- 3 Hyper Soft Foam
- 4 Interlining
- 5 Soft Foam
- 6 Comfort Foam
- 7 1000 Count micro Pocket Spring
- 8 Comfort Foam
- 9 Edge Support Foam
- 10 1000 Count Pocket Spring
- 11 Termo Felt
- 12 Interlining
- 13 Comfort Foam
- 14 Micro Fiber Filling
- 15 Quilted Fabric

Mattress Firmness Chart	H1	H2	H3	H4
	Soft	Medium	Hard	Ultra Hard
60 - 80 kg				
80 - 100 kg				
100 - 120 kg				
120 - 150 kg				

- Quilted Fabric
- 1000 Count Extra Ped
- Knitted Fabric
- Double Layer Pocket Spring System
- Orthopedic
- One-Sided Use
- 4 Season Use
- Hyper Foam

NEW
COLLECTION

Cube

With its strong design language and soft contours, Cube brings a modern character to bedroom interiors. Its distinctive headboard design and comfort-oriented structure combine refined aesthetics with everyday comfort, creating a stylish and inviting atmosphere in any living space.



Cube

BASE & HEADBOARD

• Yatak genişliğinde kullanım alanına sahip otomatik açılır baza sandığı opsiyonu.

• Ses oluşumunu önleyen ve dayanıklılığı artıran, taban iç suntasında kızaklı mekanizma.

• Yatağın kaymasını önleyen 5 cm derinliğinde havuz sistemi.

• Nem ve koku oluşumunu önleyen havalandırma kapsülleri.

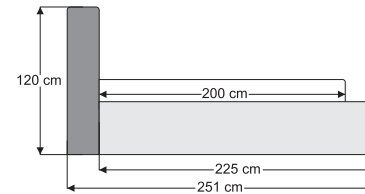
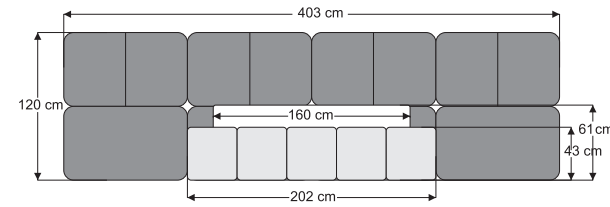
• Paslanma ve çürüme yapmayan çelik konstrüksiyon iç aksam.

• Sizin ve çocuklarınızın güvenliği için emniyet kilitleriyle güçlendirilmiş amortisör ve makas sistemi.

• İsteğe bağlı olarak çıkarılabilir başlık kanat tasarımı.

• Mekânlara ve projelere uygun özel ölçü üretim imkânı.

• Farklı kumaş ve renk seçenekleri ile kişiselleştirilebilir tasarım.



Set Includes: Cube Set / Cube Base, Cube Headboard, Form Mattress

FORM MATTRESS

Form is designed with its orthopedic structure, advanced pocket spring system, and multi-layer Hyper Soft foam technology to provide balanced body support and superior comfort. The pocket spring system offers targeted support while maintaining spinal alignment, whereas the Hyper Soft comfort layers create a soft and flexible sleeping surface. Its durable inner structure and optimized layer balance ensure long-lasting, peaceful, and uninterrupted sleep.



5
Years
Warranty

↑ 32
cm

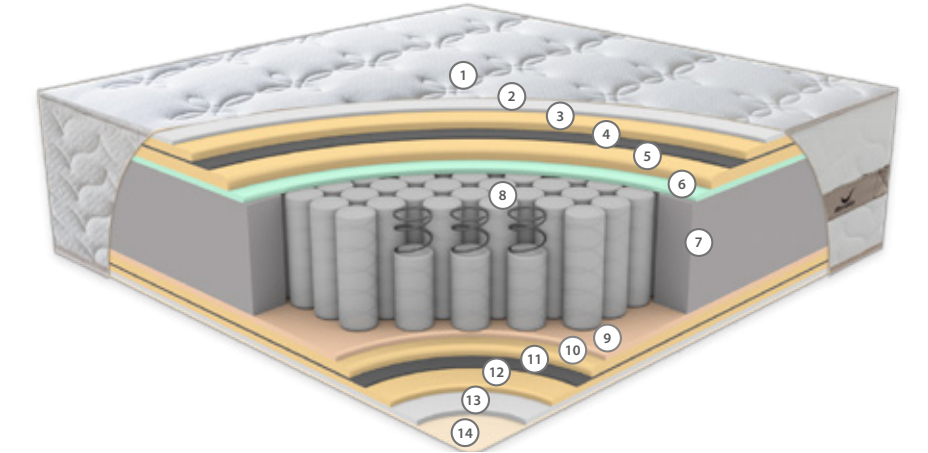
HYPER SOFT FOAM

Hyper Soft foam is a specially developed material with an ultra-soft and flexible structure. It creates a gentle touch sensation during body contact with the mattress. Used in the quilting layer, Hyper Soft foam enhances softness and comfort for a more relaxing sleep experience.



POCKET SPRING SYSTEM

The pocket spring system is an innovative structure where each spring is individually encased in its own fabric pocket. This independent design provides tailored support to every area of the body for optimal comfort. Pocket springs minimize motion transfer, delivering peaceful sleep and superior comfort.



Mattress Firmness Chart	H1	H2	H3	H4
	Soft	Medium	Hard	Ultra Hard
60 - 80 kg				
80 - 100 kg				
100 - 120 kg				
120 - 150 kg				

- 1 Kapitone Kumaş Quilted Fabric
- 2 Mikro Fiber Elyaf Micro Fiber Filling
- 3 Hyper Soft Sünger Hyper Soft Foam
- 4 Tela Interlining
- 5 Hyper Soft Sünger Hyper Soft Foam
- 6 Konfor Süngeri Comfort Foam
- 7 Kenar Destek Süngeri Edge Support Foam
- 8 1000 Count Paket Yay 1000 Count Pocket Spring
- 9 Termo Felt Termo Felt
- 10 Hyper Soft Sünger Hyper Soft Foam
- 11 Tela Interlining
- 12 Hyper Soft Sünger Hyper Soft Foam
- 13 Mikro Fiber Elyaf Micro Fiber Filling
- 14 Kapitone Kumaş Quilted Fabric



Quilted Fabric



Knitted Fabric



Orthopedic



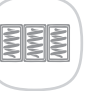
Double Sided Use



4 Season Use



Hyper Foam



Pocket Spring System



Roll Pack

90x190 90x200 100x200 120x200 140x190 140x200 150x200 160x200 180x200 200x200

NEW
COLLECTION



Loft

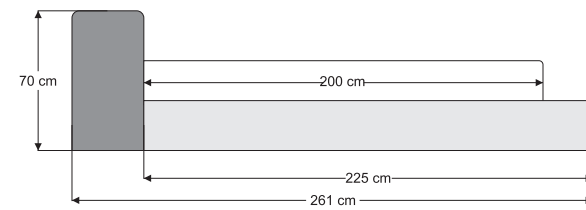
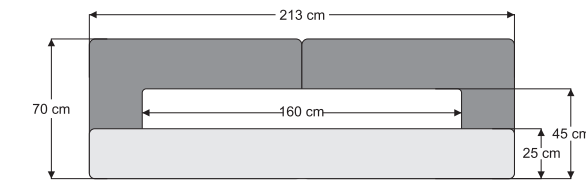
With its modern lines and minimalist design approach, Loft brings a clean and sophisticated atmosphere to bedroom interiors. Its balanced form, comfort-focused structure, and timeless design combine aesthetics with everyday comfort, creating a refined and modern harmony within living spaces.



Loft

BASE & HEADBOARD

- Rust-resistant and non-deformable steel construction internal frame.
- 5 cm deep anti-slip pool system to keep the mattress securely in place.
- Ventilation capsules designed to prevent moisture and odor formation.
- Production available in various fabric and color alternatives. Custom size production option suitable for projects and living spaces.
- Custom Size Options Available



Set Includes: Loft Set / Loft Base, Loft Headboard, Nature Design Mattress

NATURE DESIGN MATTRESS

Designed with the harmony of natural materials, Nature Design creates a breathable and healthy sleep environment with layers of horsehair, organic cotton, and hemp. The horsehair layer provides high air circulation thanks to its natural structure, creating an ideal microclimate inside the mattress. Its moisture-management feature helps remove excess humidity from the body while maintaining temperature balance for four-season comfort.



5
Years
Warranty

↑ 22 cm

- Quilted Fabric
- Knitted Fabric
- Orthopedic
- One-Sided Use
- 4 Season Use
- Hyper Foam
- Pocket Spring System

HORSEHAIR LAYER

Horsehair offers high air permeability thanks to its natural structure and ensures continuous airflow inside the mattress. Its moisture-balancing properties quickly remove humidity from the body, creating a dry and refreshing sleep environment. With its durable and flexible structure, it provides long-lasting performance.



ORGANIC COTTON

Organic cotton is skin-friendly and hypoallergenic. Produced without harming the environment, it is also important for sustainability. Its breathable structure enhances comfort and freshness in sleep products.

COCONUT FIBER

Coconut fiber is a natural material derived from coconut husks. With its durable, flexible, and breathable structure, it is widely used in mattresses, cushions, and upholstery. It is also a natural and eco-friendly option with hypoallergenic properties that improve moisture management and overall sleep comfort.



Mattress Firmness Chart	H1	H2	H3	H4
	Soft	Medium	Hard	Ultra Hard
60 - 80 kg				
80 - 100 kg				
100 - 120 kg				
120 - 150 kg				

- Organic Knitted Cotton Fabric
- Organic Cotton Comfort Layer
- Horsehair Layer
- Organic Cotton Comfort Layer
- Hemp Layer
- 1000 Count Package Spring with Cotton Sheath
- Organic Cotton Comfort Layer
- Organic Knitted Cotton Fabric

90x190 90x200 100x200 120x200 140x190 140x200 150x200 160x200 180x200 200x200

NEW
COLLECTION



Tokyo

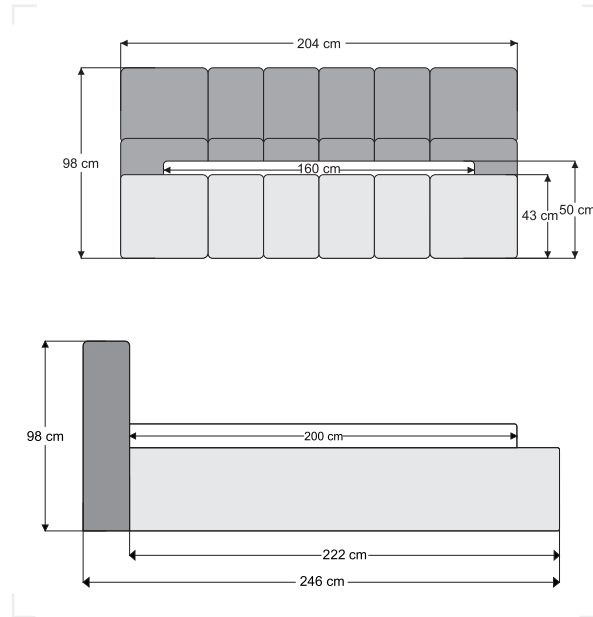
Modern çizgilerle zarif detayların buluştuğu Tokyo, yatak odalarına sofistike bir karakter kazandırır. Yumuşak dokusu, güçlü formu ve dengeli tasarımıyla konforu estetikle birleştirerek yaşam alanlarında huzurlu ve etkileyici bir atmosfer yaratır.



Tokyo

BASE & HEADBOARD

- Durable steel construction internal frame resistant to rust and deformation.
- Sliding base mechanism designed for silent operation and enhanced durability.
- 20 cm deep anti-slip pool system to keep the mattress securely in place.
- Ventilation capsules designed to prevent moisture and odor formation.
- Aesthetic and easy-grip fabric lifting handles.
- Gas lift and scissor mechanism reinforced with safety locks for secure use.
- Spacious under-bed storage compartment extending across the full mattress size.
- Reinforced internal frame structure for long-lasting durability.



SIGNATURE MATTRESS

Designed with natural cotton fibers and an advanced pocket spring system, Signature is developed to deliver balanced comfort throughout all four seasons. The cotton fiber layers create a fresh and breathable sleep environment, while the multi-layer foam structure provides a soft touch and balanced body support for enhanced sleeping comfort.



5
Years
Warranty

↑ 29
cm

- Plush Fabric
- Quilted Fabric
- Knitted Fabric
- Orthopedic
- One-Sided Use
- 4 Season Use
- Hyper Foam
- Pocket Spring System
- Roll Pack

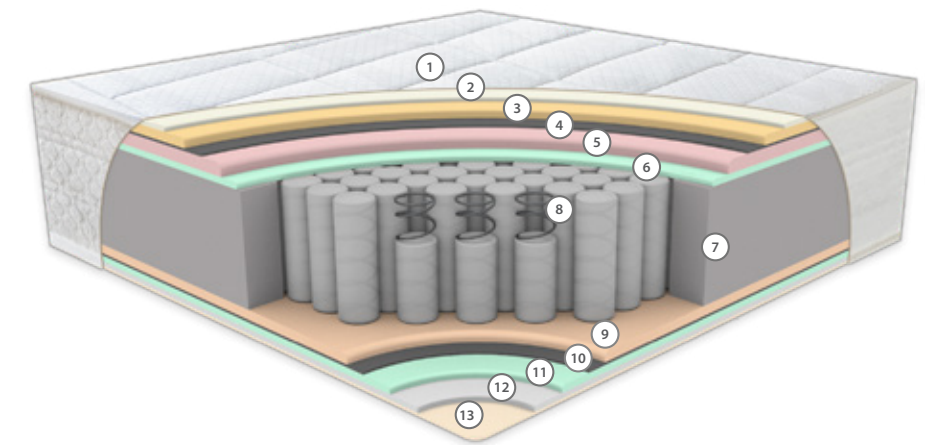
HYPER FOAM

Hyper Foam is a specially developed material with an ultra-soft and flexible structure. It creates a gentle touch sensation during body contact with the mattress. Used in the quilting layer, Hyper Foam provides a soft and smooth surface feel for enhanced comfort.



POCKET SPRING SYSTEM

The pocket spring system is an innovative design in which each spring is individually encased in its own fabric pocket. This independent structure provides tailored support for every part of the body, ensuring excellent body adaptation. Pocket springs minimize motion transfer for a peaceful sleep experience and superior comfort.



Mattress Firmness Chart	H1	H2	H3	H4
	Soft	Medium	Hard	Ultra Hard
60 - 80 kg				
80 - 100 kg				
100 - 120 kg				
120 - 150 kg				

- 1 Quilted Fabric
- 2 Cotton Fiber
- 3 Hyper Soft Foam
- 4 Interlining
- 5 Soft Foam
- 6 Soft Foam
- 7 Edge Support Foam
- 8 1000 Count Pocket Spring
- 9 Termo Felt
- 10 Interlining
- 11 Soft Foam
- 12 Micro Fiber Filling
- 13 Quilted Fabric

NEW
COLLECTION



Roma

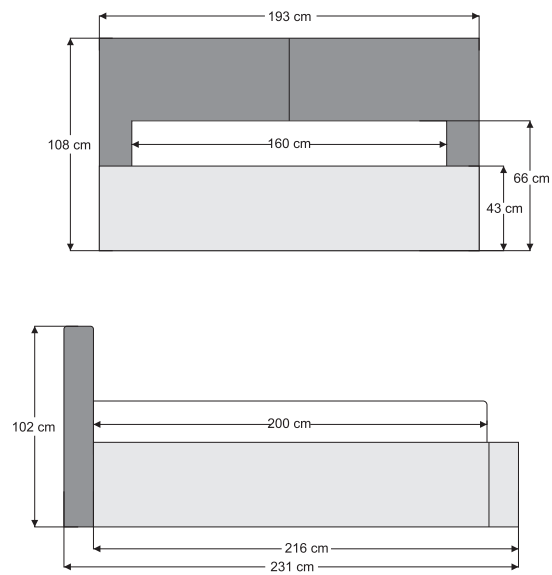
With its modern lines and elegant form, the Roma set brings a strong character to bedroom interiors. Its soft contours and balanced proportions combine aesthetics with comfort, creating a refined and harmonious look. While offering functional solutions for everyday use, it adds a modern and sophisticated touch to living spaces.



Roma

BASE & HEADBOARD

- Durable steel construction internal frame resistant to rust and deformation.
- Sliding base mechanism designed for silent operation and enhanced durability.
- 15 cm deep pool system designed to keep the mattress securely in place.
- Aesthetic and easy-grip fabric lifting handles.
- Ventilation capsules designed to prevent moisture and odor formation.
- Gas lift and scissor mechanism reinforced with safety locks for secure use.
- Spacious and functional under-bed storage compartment extending across the full mattress size.
- Reinforced internal frame structure for long-lasting durability.
- Reinforced profile chassis structure for increased strength and stability.
- Smooth opening and closing with a balanced gas lift system. Custom Size Options Available



SPECIAL FORM MATTRESS

Developed with 2000 Count Pocket Spring technology, Special Form delivers balanced support and exceptional comfort by perfectly adapting to the body. It distributes pressure evenly to help maintain proper spinal alignment. While the breathable knitted fabric and cotton fiber layers create a fresh sleeping environment, the Hyper Soft foam structure provides a soft and flexible comfort sensation.



5
Years
Warranty

↑ 31
cm

HYPER SOFT FOAM

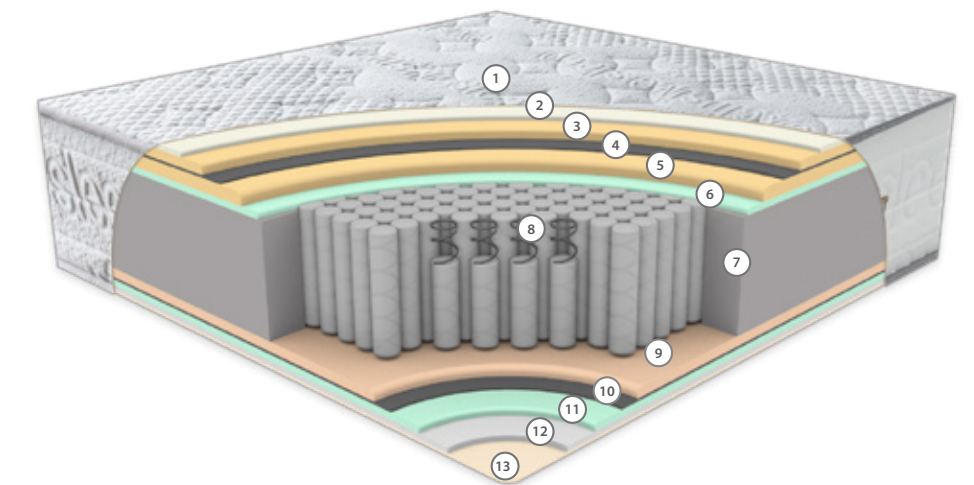
It has an ultra-soft and flexible structure. Providing the first gentle contact with the body, its silky texture helps prevent pressure on the skin under body weight. By balancing pressure distribution across the body, it minimizes involuntary turning movements during sleep for enhanced comfort.



2000 COUNT POCKET SPRING SYSTEM

The 2000 Count Pocket Spring System is a mattress technology in which each spring is individually encased within fabric pockets. This system distributes body weight evenly to support spinal alignment while also providing motion isolation, preventing movement from disturbing the other sleeper and enhancing sleep comfort.

Mattress Firmness Chart	H1	H2	H3	H4
	Soft	Medium	Hard	Ultra Hard
60 - 80 kg				
80 - 100 kg				
100 - 120 kg				
120 - 150 kg				



- 1 Quilted Fabric
- 2 Cotton Fiber
- 3 Hyper Soft Foam
- 4 Interlining
- 5 Hyper Soft Foam
- 6 Comfort Foam
- 7 Edge Support Foam
- 8 2000 Count Pocket Spring
- 9 Termo Felt
- 10 Interlining
- 11 Comfort Foam
- 12 Microfiber filling
- 13 Quilted Fabric

- Quilted Fabric
- Knitted Fabric
- 2000 Count Pocket Spring System
- Orthopedic
- One-Sided Use
- Comfort Foam
- 4 Season Use
- Hyper Foam
- Roll Pack

NEW
COLLECTION



Madrid

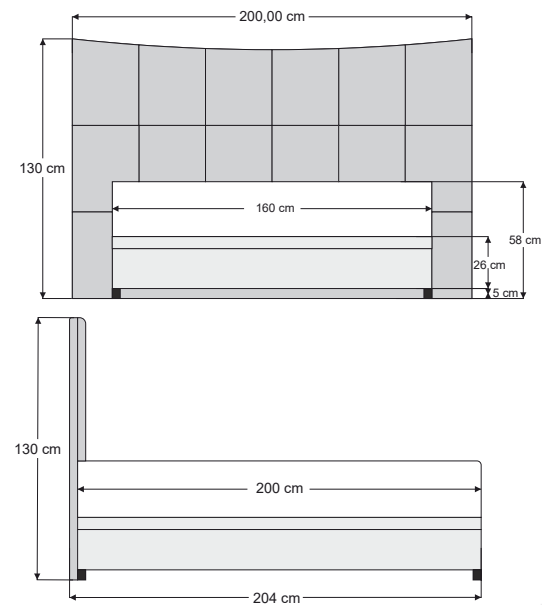
With its soft-textured upholstery and strong headboard form, Madrid brings a refined atmosphere to bedroom interiors. Its balanced proportions and minimalist design language create an elegant sense of harmony within the space. Combining comfort with aesthetics, this distinctive design adds a sophisticated character to modern living spaces.



Madrid

BASE & HEADBOARD

- Durable steel construction internal frame resistant to rust and deformation.
- Sliding base mechanism designed for silent operation and enhanced durability.
- Special anti-slip fabric surface designed to prevent mattress movement.
- Aesthetic and easy-grip fabric-covered lifting handles.
- Balanced and durable opening mechanism with a powerful single-piece gas lift system.
- Practical opening system designed for easy one-hand operation.
- Secure lid structure that remains balanced and stable when opened.
- Mechanism design providing safe use without the need for additional safety locks.
- Ventilation capsules designed to prevent moisture and odor formation.
- Spacious under-bed storage compartment extending across the full mattress size.



Set Includes: Madrid Set / Madrid Base, Madrid Headboard, Silent Night Mattress

SILENT NIGHT MATTRESS

The Silent Night mattress combines comfort and balance in a simple yet effective design. Its cotton filling provides natural breathability throughout the night, while Hyper Soft foam gives the body a soft, welcoming feel. The 1000-count pocket spring system distributes body weight evenly, supporting the spine and providing motion isolation for an uninterrupted sleep experience. With its supportive foam layers and solid edge structure, it delivers balanced comfort at every point — an ideal and reliable mattress for daily use.



5
Years
Warranty

↑ 28
cm

COTTON

Cotton is one of the most natural, breathable mattress materials. It regulates body temperature, minimises perspiration, and creates a cool sleep environment. Soft on the skin and resistant to allergens.



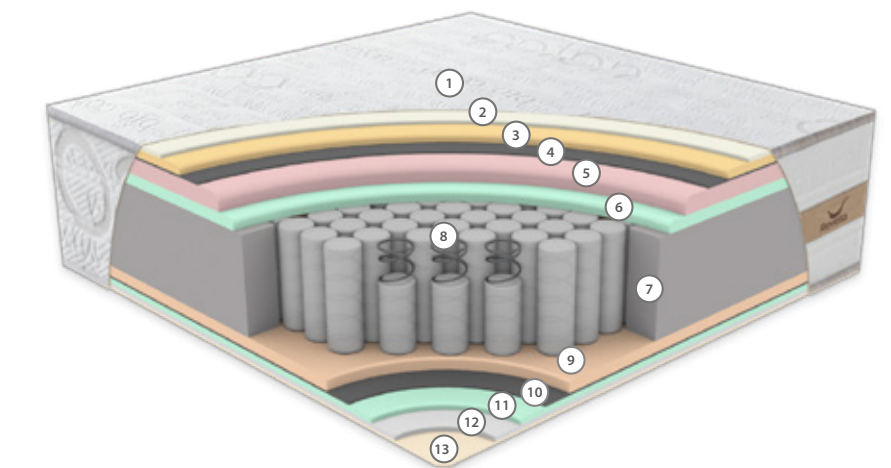
POCKET SPRING SYSTEM

Each spring sits in its own fabric pocket, providing tailored support to every body zone. This independent structure minimises motion transfer for a peaceful, superior-comfort sleep.

HYPER SOFT FOAM

Hyper Soft foam is a very soft, flexible special foam. It gives a soft touch where the body contacts the mattress. The Hyper foam used in quilting provides a plush fabric-like feel.

Mattress Firmness Chart	H1	H2	H3	H4
	Soft	Medium	Hard	Ultra Hard
60 - 80 kg				
80 - 100 kg				
100 - 120 kg				
120 - 150 kg				



- 1 Quilted Fabric
- 2 Cotton Fiber
- 3 Hyper Soft Sünger
- 4 Interlining
- 5 Soft Foam
- 6 Comfort Foam
- 7 Edge Support Foam
- 8 1000 Count Pocket Spring
- 9 Termo Felt
- 10 Interlining
- 11 Comfort Foam
- 12 Micro Fiber Filling
- 13 Quilted Fabric

- 100 Cotton
- Quilted Fabric
- Knitted Fabric
- Orthopedic
- One-Sided Use
- 4 Season Use
- Hyper Foam
- Pocket Spring System
- Roll Pack

90x190 90x200 100x200 120x200 140x190 140x200 150x200 160x200 180x200 200x200



Does Sleep Duration Affect the Immune System?

Sleep is the body's natural response to fatigue and external stimuli. It plays a vital role in many essential bodily functions, especially the nervous system. Research shows that even a single night of insufficient sleep may lead to hormonal and physical imbalances. One of the biggest misconceptions is believing that sleep is only beneficial for rest.

NEW COLLECTION



Full Size
Collection

Elegance Beyond Walls

NEW
COLLECTION



Full Size 5

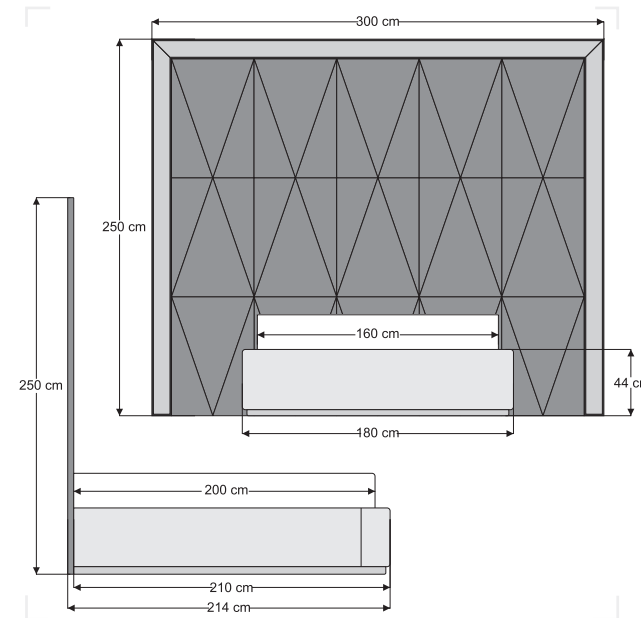
The Full Size 5 collection brings design freedom into your living spaces. Create your own style and personalize every detail according to your preferences. Available with mirrored or non-mirrored options and various size alternatives, it offers a fully customized production experience tailored to your needs. You imagine it, Revella craftsmanship brings it to life.



Full Size 5

BASE & HEADBOARD

- Durable steel construction internal frame resistant to rust and deformation.
 - Sliding base mechanism designed for silent operation and enhanced durability.
 - 12 cm deep pool system designed to keep the mattress securely in place.
 - Aesthetic and easy-grip fabric-covered lifting handle.
 - Gas lift and scissor mechanism reinforced with safety locks for enhanced family safety.
 - Ventilation capsules designed to prevent moisture and odor formation.
 - Spacious under-bed storage compartment extending across the full mattress size.
- Custom Size Options Available



Set Includes: Full Size 5 Set / Full Size 5 Base, Full Size 5 Headboard, Wrinkle Mattress, Full Size 5 Nightstand

WRINKLE MATTRESS

Designed with advanced double layer pocket spring technology and an extra-thick pillow top, Wrinkle perfectly contours the body to provide balanced support and superior comfort. Its pressure-optimizing structure ensures uninterrupted sleep throughout the night. With its soft touch and strong inner construction, it is specially developed for those who never compromise on comfort.



5
Years
Warranty

↑ 33
cm

ORTHOPEdic

Designed to align your spine and reduce pressure points. Supports proper posture and enhances sleep quality.

DOUBLE LAYER POCKET SPRING SYSTEM

Independent springs in two layers provide precise support, reduce pressure, maintain spinal alignment and minimize motion transfer.

Mattress Firmness Chart	H1	H2	H3	H4
	Soft	Medium	Hard	Ultra Hard
60 - 80 kg				
80 - 100 kg				
100 - 120 kg				
120 - 150 kg				

90x190 90x200 100x200 120x200 140x190 140x200 150x200 160x200 180x200 200x200



Quilted Fabric



1000 Count Extra Ped



Knitted Fabric



Double Layer Pocket Spring System



Orthopedic



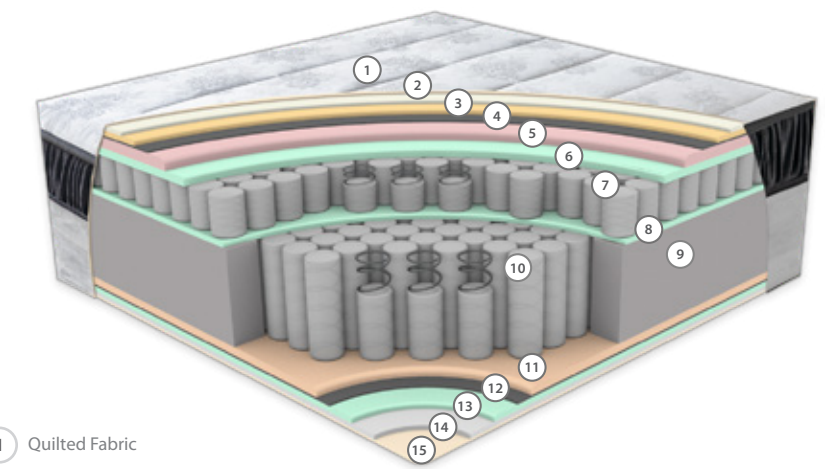
One-Sided Use



4 Season Use



Hyper Foam



- 1 Quilted Fabric
- 2 Cotton Fiber
- 3 Hyper Soft Foam
- 4 Interlining
- 5 Soft Foam
- 6 Comfort Foam
- 7 1000 Count micro Pocket Spring
- 8 Comfort Foam
- 9 Edge Support Foam
- 10 1000 Count Pocket Spring
- 11 Termo Felt
- 12 Interlining
- 13 Comfort Foam
- 14 Micro Fiber Filling
- 15 Quilted Fabric

NEW
COLLECTION



Full Size 2

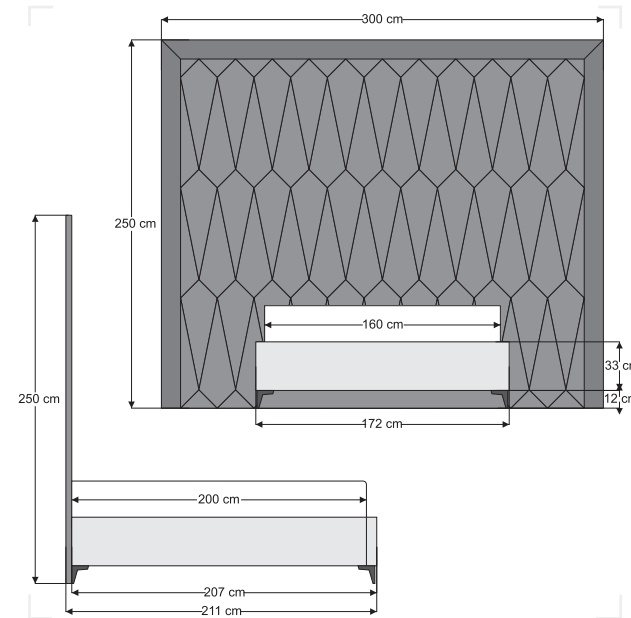
With its strong geometric form and deep quilted headboard design, Full Size 2 brings distinctive character to bedroom interiors. Its balanced proportions and modern lines create a sophisticated atmosphere, while combining aesthetic appeal with comfort to become a striking focal point within living spaces.



Full Size 2

BASE & HEADBOARD

- Rust-resistant and non-deformable steel construction internal frame.
- Sliding mechanism integrated into the inner base board to minimize noise and enhance durability.
- High durable legs designed to make floor cleaning easier.
- Aesthetic and easy-grip fabric-covered lifting handle.
- 5 cm deep pool system designed to keep the mattress securely in place.
- Spacious under-bed storage compartment with full mattress-width usability.
- Gas lift and scissor mechanism reinforced with safety locks for enhanced security.
- Ventilation capsules designed to prevent moisture and odor formation.



SPECIAL MOD MATTRESS

Designed with a 2000 Count Pocket Spring System, natural latex, and a multi-layer comfort structure, Special Mod adapts instantly to the body to provide balanced support and superior comfort. Its breathable natural materials and flexible structure create an ideal sleep climate for every season. Combining a soft touch with a durable inner construction, it brings together comfort and long-lasting performance.



5
Years
Warranty

↑ 32
cm

LATEX

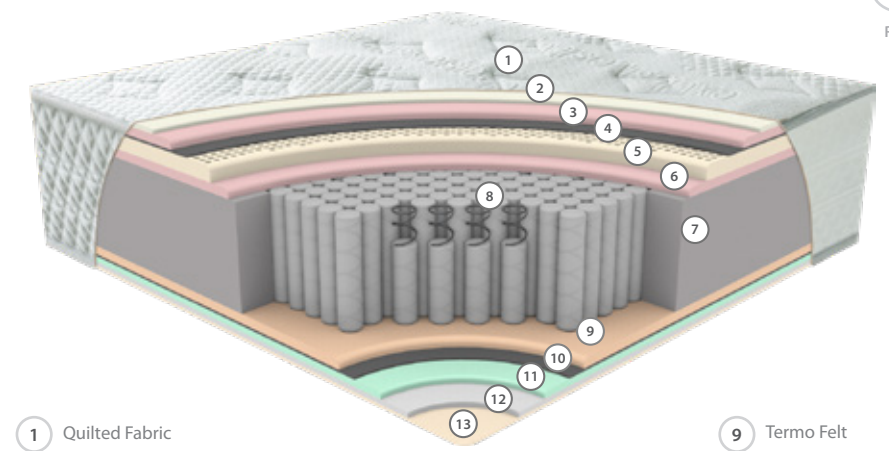
Latex is a natural and durable material derived from the rubber tree. It provides excellent body support, distributes pressure evenly, and offers a cooler sleep experience thanks to its breathable structure. Its hypoallergenic properties help protect against allergens while creating a healthy and long-lasting sleep environment.



2000 COUNT POCKET SPRING SYSTEM

The 2000 Count Pocket Spring System is a mattress technology in which each spring is individually encased within fabric pockets. This system distributes body weight evenly to support spinal alignment while also providing motion isolation, preventing movement from disturbing the other sleeper and enhancing sleep comfort.

Mattress Firmness Chart	H1	H2	H3	H4
	Soft	Medium	Hard	Ultra Hard
60 - 80 kg				
80 - 100 kg				
100 - 120 kg				
120 - 150 kg				



- 1 Quilted Fabric
- 2 Cotton Fiber
- 3 Soft Foam
- 4 Interlining
- 5 Latex
- 6 Soft Foam
- 7 Edge Support Foam
- 8 2000 Count Pocket Spring
- 9 Termo Felt
- 10 Interlining
- 11 Comfort Foam
- 12 Micro Fiber Filling
- 13 Quilted Fabric

- Latex
- Quilted Fabric
- Knitted Fabric
- 2000 Count Pocket Spring System
- Orthopedic
- One-Sided Use
- Comfort Foam
- 4 Season Use
- Hyper Foam
- Roll Pack

NEW
COLLECTION



Full Size 3

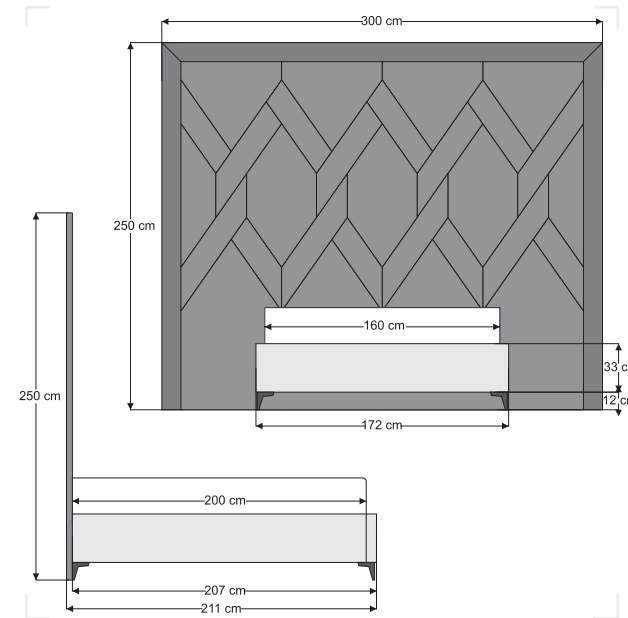
Inspired by geometric forms, the headboard design of Full Size 3 brings a modern and powerful expression to bedroom interiors. Its balanced proportions and clean surfaces create a harmonious atmosphere, while its timeless design language combines aesthetics and comfort to deliver a striking and sophisticated living space.



Full Size 3

BASE & HEADBOARD

- Rust-resistant and non-deformable steel construction internal frame.
- Sliding mechanism integrated into the inner base board to minimize noise and enhance durability.
- High durable legs designed to make floor cleaning easier.
- Aesthetic and easy-grip fabric-covered lifting handle.
- 5 cm deep pool system designed to keep the mattress securely in place.
- Spacious under-bed storage compartment with full mattress-width usability.
- Gas lift and scissor mechanism reinforced with safety locks for enhanced security.
- Ventilation capsules designed to prevent moisture and odor formation.



Set Includes: Full Size 3 Set / Full Size 3 Base, Full Size 3 Headboard, Special Mod Mattress, Full Size 3 Nightstand

SPECIAL MOD MATTRESS

Designed with a 2000 Count Pocket Spring System, natural latex, and a multi-layer comfort structure, Special Mod adapts instantly to the body to provide balanced support and superior comfort. Its breathable natural materials and flexible structure create an ideal sleep climate for every season. Combining a soft touch with a durable inner construction, it brings together comfort and long-lasting performance.



5
Years
Warranty

32
cm

LATEX

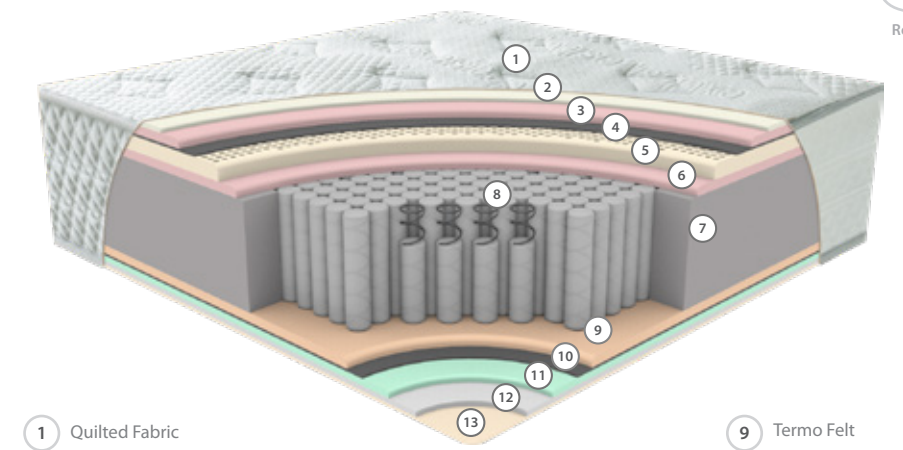
Latex is a natural and durable material derived from the rubber tree. It provides excellent body support, distributes pressure evenly, and offers a cooler sleep experience thanks to its breathable structure. Its hypoallergenic properties help protect against allergens while creating a healthy and long-lasting sleep environment.



2000 COUNT POCKET SPRING SYSTEM

The 2000 Count Pocket Spring System is a mattress technology in which each spring is individually encased within fabric pockets. This system distributes body weight evenly to support spinal alignment while also providing motion isolation, preventing movement from disturbing the other sleeper and enhancing sleep comfort.

Mattress Firmness Chart	H1 Soft	H2 Medium	H3 Hard	H4 Ultra Hard
60 - 80 kg				
80 - 100 kg				
100 - 120 kg				
120 - 150 kg				



- 1 Quilted Fabric
- 2 Cotton Fiber
- 3 Soft Foam
- 4 Interlining
- 5 Latex
- 6 Soft Foam
- 7 Edge Support Foam
- 8 2000 Count Pocket Spring
- 9 Termo Felt
- 10 Interlining
- 11 Comfort Foam
- 12 Micro Fiber Filling
- 13 Quilted Fabric

- Latex
- Quilted Fabric
- Knitted Fabric
- 2000 Count Pocket Spring System
- Orthopedic
- One-Sided Use
- Comfort Foam
- 4 Season Use
- Hyper Foam
- Roll Pack

NEW
COLLECTION



Full Size 4

The Full Size collection brings design freedom into your living spaces. From dimensions to finishing details, this exclusive series allows you to create a style that reflects your personal taste. With mirrored or non-mirrored headboard options, it adapts effortlessly to different interiors.

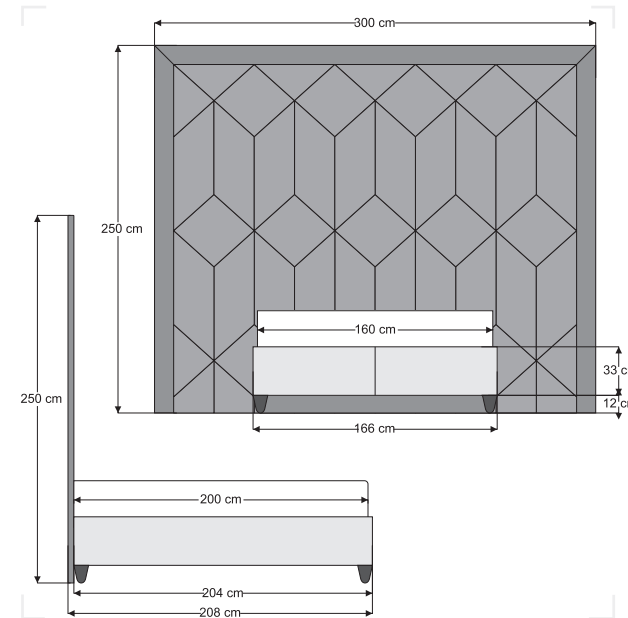
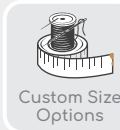
Imagine your design, and let Revella craftsmanship bring it to life.



Full Size 4

BASE & HEADBOARD

- Rust-resistant and non-deformable steel construction internal frame.
- Sliding mechanism integrated into the inner base board to minimize noise and enhance durability.
- High durable legs designed to make floor cleaning easier.
- Aesthetic and easy-grip fabric-covered lifting handle.
- 5 cm deep pool system designed to keep the mattress securely in place.
- Spacious under-bed storage compartment with full mattress-width usability.
- Gas lift and scissor mechanism reinforced with safety locks for enhanced security.
- Ventilation capsules designed to prevent moisture and odor formation.



SPECIAL MOD MATTRESS

Designed with a 2000 Count Pocket Spring System, natural latex, and a multi-layer comfort structure, Special Mod adapts instantly to the body to provide balanced support and superior comfort. Its breathable natural materials and flexible structure create an ideal sleep climate for every season. Combining a soft touch with a durable inner construction, it brings together comfort and long-lasting performance.



5
Years
Warranty

32
cm

LATEX

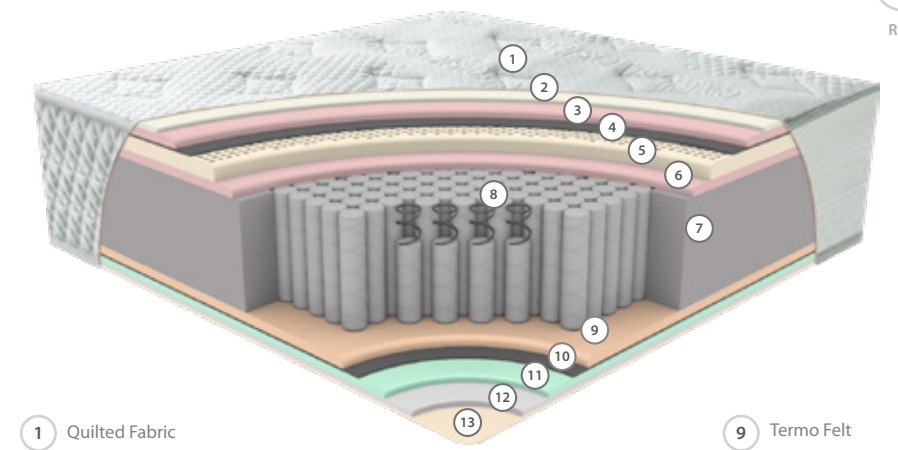
Latex is a natural and durable material derived from the rubber tree. It provides excellent body support, distributes pressure evenly, and offers a cooler sleep experience thanks to its breathable structure. Its hypoallergenic properties help protect against allergens while creating a healthy and long-lasting sleep environment.



2000 COUNT POCKET SPRING SYSTEM

The 2000 Count Pocket Spring System is a mattress technology in which each spring is individually encased within fabric pockets. This system distributes body weight evenly to support spinal alignment while also providing motion isolation, preventing movement from disturbing the other sleeper and enhancing sleep comfort.

Mattress Firmness Chart	H1	H2	H3	H4
	Soft	Medium	Hard	Ultra Hard
60 - 80 kg				
80 - 100 kg				
100 - 120 kg				
120 - 150 kg				



- 1 Quilted Fabric
- 2 Cotton Fiber
- 3 Soft Foam
- 4 Interlining
- 5 Latex
- 6 Soft Foam
- 7 Edge Support Foam
- 8 2000 Count Pocket Spring
- 9 Termo Felt
- 10 Interlining
- 11 Comfort Foam
- 12 Micro Fiber Filling
- 13 Quilted Fabric

- Latex
- Quilted Fabric
- Knitted Fabric
- 2000 Count Pocket Spring System
- Orthopedic
- One-Sided Use
- Comfort Foam
- 4 Season Use
- Hyper Foam
- Roll Pack

NEW
COLLECTION

Full Size 1

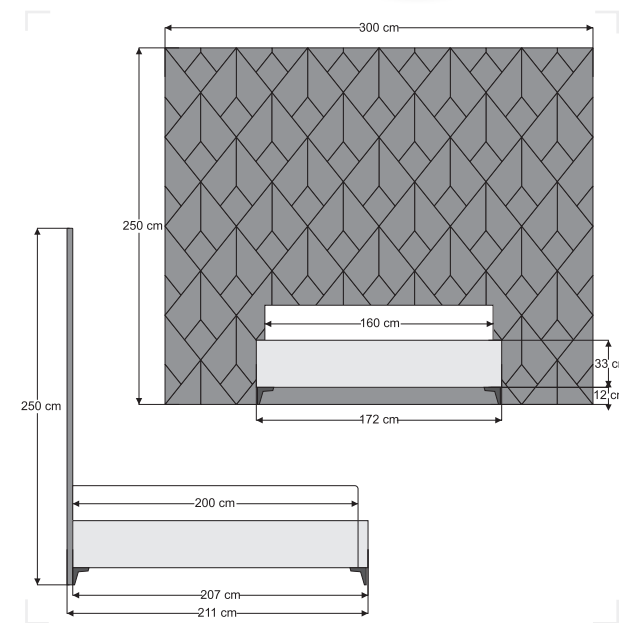
Full Size serisi, yatak odalarında tasarım özgürlüğü sunan özel bir koleksiyon olarak öne çıkar. Ölçülerden detaylara kadar kişiselleştirilebilen yapısı sayesinde mekânınıza en uygun tasarımı oluşturabilirsiniz. Aynalı veya aynasız başlık seçenekleriyle üretilebilen bu seri, Revella ustalığıyla tamamen size özel olarak hazırlanır.



Full Size 1

BASE & HEADBOARD

- Rust-resistant and non-deformable steel construction internal frame.
- Sliding mechanism integrated into the inner base board to minimize noise and enhance durability.
- High durable legs designed to make floor cleaning easier.
- Aesthetic and easy-grip fabric-covered lifting handle.
- 5 cm deep pool system designed to keep the mattress securely in place.
- Spacious under-bed storage compartment with full mattress-width usability.
- Gas lift and scissor mechanism reinforced with safety locks for enhanced security.
- Ventilation capsules designed to prevent moisture and odor formation.



SPECIAL MOD MATTRESS

Designed with a 2000 Count Pocket Spring System, natural latex, and a multi-layer comfort structure, Special Mod adapts instantly to the body to provide balanced support and superior comfort. Its breathable natural materials and flexible structure create an ideal sleep climate for every season. Combining a soft touch with a durable inner construction, it brings together comfort and long-lasting performance.



5
Years
Warranty

32
cm

LATEX

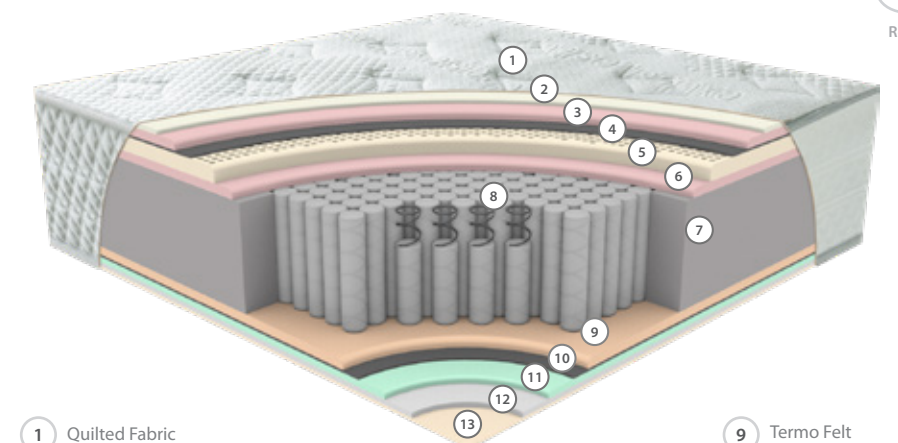
Latex is a natural and durable material derived from the rubber tree. It provides excellent body support, distributes pressure evenly, and offers a cooler sleep experience thanks to its breathable structure. Its hypoallergenic properties help protect against allergens while creating a healthy and long-lasting sleep environment.



2000 COUNT POCKET SPRING SYSTEM

The 2000 Count Pocket Spring System is a mattress technology in which each spring is individually encased within fabric pockets. This system distributes body weight evenly to support spinal alignment while also providing motion isolation, preventing movement from disturbing the other sleeper and enhancing sleep comfort.

Mattress Firmness Chart	H1	H2	H3	H4
	Soft	Medium	Hard	Ultra Hard
60 - 80 kg				
80 - 100 kg				
100 - 120 kg				
120 - 150 kg				



- 1 Quilted Fabric
- 2 Cotton Fiber
- 3 Soft Foam
- 4 Interlining
- 5 Latex
- 6 Soft Foam
- 7 Edge Support Foam
- 8 2000 Count Pocket Spring
- 9 Termo Felt
- 10 Interlining
- 11 Comfort Foam
- 12 Micro Fiber Filling
- 13 Quilted Fabric

- Latex
- Quilted Fabric
- Knitted Fabric
- 2000 Count Pocket Spring System
- Orthopedic
- One-Sided Use
- Comfort Foam
- 4 Season Use
- Hyper Foam
- Roll Pack



Full Size Leaf

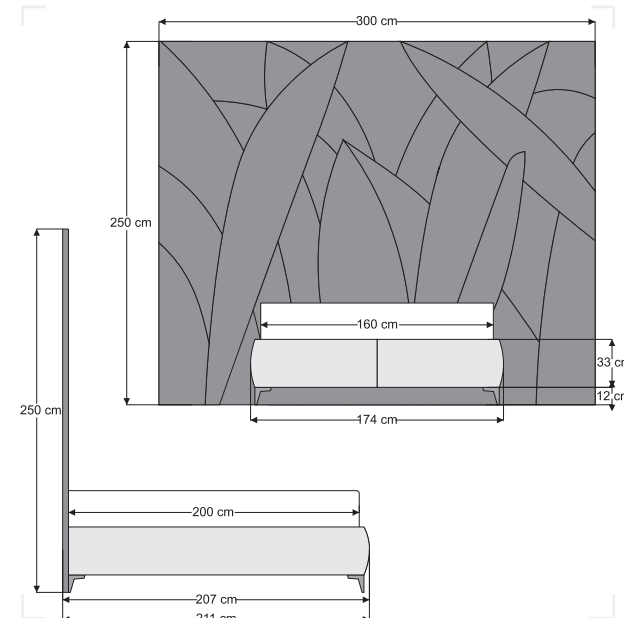
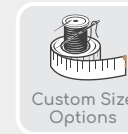
Doğadan ilham alan yaprak formundaki tasarımıyla Full Size Leaf, yatak odalarına zarif ve özgün bir karakter kazandırır. Kişiselleştirilebilir yapısı sayesinde ölçülerden detaylara kadar size özel üretilebilir. Aynalı veya aynasız başlık seçenekleriyle, tasarım özgürlüğünü Revella ustalığıyla buluşturur. Siz tasarlayın, biz üretelim.



Full Size Leaf

BASE & HEADBOARD

- Rust-resistant and non-deformable steel construction internal frame.
- Sliding mechanism integrated into the inner base board to minimize noise and enhance durability.
- High durable legs designed to make floor cleaning easier.
- Aesthetic and easy-grip fabric-covered lifting handle.
- 5 cm deep pool system designed to keep the mattress securely in place.
- Spacious under-bed storage compartment with full mattress-width usability.
- Gas lift and scissor mechanism reinforced with safety locks for enhanced security.
- Ventilation capsules designed to prevent moisture and odor formation.



Set Includes: Full Size Leaf Set / Full Size Leaf Base, Full Size Leaf Headboard, Special Mod Mattress, Full Size Leaf Nightstand

SPECIAL MOD MATTRESS

Designed with a 2000 Count Pocket Spring System, natural latex, and a multi-layer comfort structure, Special Mod adapts instantly to the body to provide balanced support and superior comfort. Its breathable natural materials and flexible structure create an ideal sleep climate for every season. Combining a soft touch with a durable inner construction, it brings together comfort and long-lasting performance.



5
Years
Warranty

32
cm

LATEX

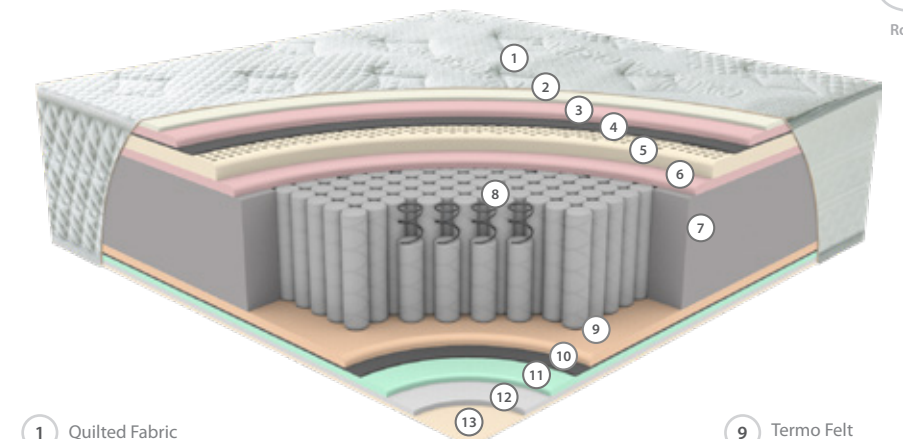
Latex is a natural and durable material derived from the rubber tree. It provides excellent body support, distributes pressure evenly, and offers a cooler sleep experience thanks to its breathable structure. Its hypoallergenic properties help protect against allergens while creating a healthy and long-lasting sleep environment.



2000 COUNT POCKET SPRING SYSTEM

The 2000 Count Pocket Spring System is a mattress technology in which each spring is individually encased within fabric pockets. This system distributes body weight evenly to support spinal alignment while also providing motion isolation, preventing movement from disturbing the other sleeper and enhancing sleep comfort.

Mattress Firmness Chart	H1	H2	H3	H4
	Soft	Medium	Hard	Ultra Hard
60 - 80 kg				
80 - 100 kg				
100 - 120 kg				
120 - 150 kg				



- 1 Quilted Fabric
- 2 Cotton Fiber
- 3 Soft Foam
- 4 Interlining
- 5 Latex
- 6 Soft Foam
- 7 Edge Support Foam
- 8 2000 Count Pocket Spring
- 9 Termo Felt
- 10 Interlining
- 11 Comfort Foam
- 12 Micro Fiber Filling
- 13 Quilted Fabric

- Latex
- Quilted Fabric
- Knitted Fabric
- 2000 Count Pocket Spring System
- Orthopedic
- One-Sided Use
- Comfort Foam
- 4 Season Use
- Hyper Foam
- Roll Pack

NEW
COLLECTION



Full Size Bohem

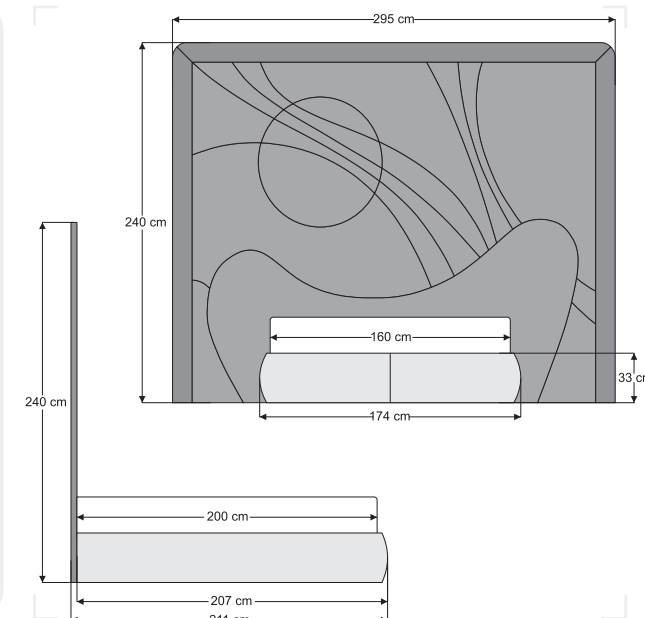
Inspired by the fluid forms of the sky, Full Size Bohem stands out with its distinctive headboard design. Its soft transitions and modern lines bring an artistic touch to the bedroom while creating a calm and relaxing atmosphere. With its wide surface and comfort-oriented structure, Bohem combines aesthetics and comfort to add a unique character to your living space.



Full Size Bohem

BASE & HEADBOARD

- Rust-resistant and non-deformable steel construction internal frame.
- Sliding mechanism integrated into the inner base board to minimize noise and enhance durability.
- Aesthetic and easy-grip fabric lifting handles.
- Spacious under-bed storage compartment with full mattress-width usability.
- Gas lift and scissor mechanism reinforced with safety locks for enhanced family safety.
- Ventilation capsules designed to prevent moisture and odor formation.
- 5 cm deep pool system designed to keep the mattress securely in place.
- Durable metal legs designed to make floor cleaning easier.
- High and ergonomic headboard structure designed with a modern form.



Set Includes: Full Size Bohem Set / Full Size Bohem Base, Full Size Bohem Headboard, Bohem Mattress

BOHEM MATTRESS

The Bohem mattress is specially designed with visco foam and block foam to conform to the body's ergonomics, delivering comfort and balanced support. Visco foam adapts to body shape and distributes pressure evenly, while block foam provides long-lasting durability. Bohem offers a peaceful, uninterrupted sleep experience through its comfort, resilience, and solid construction.



3
Years
Warranty

↑↓
27
cm

VISCO (MEMORY FOAM)

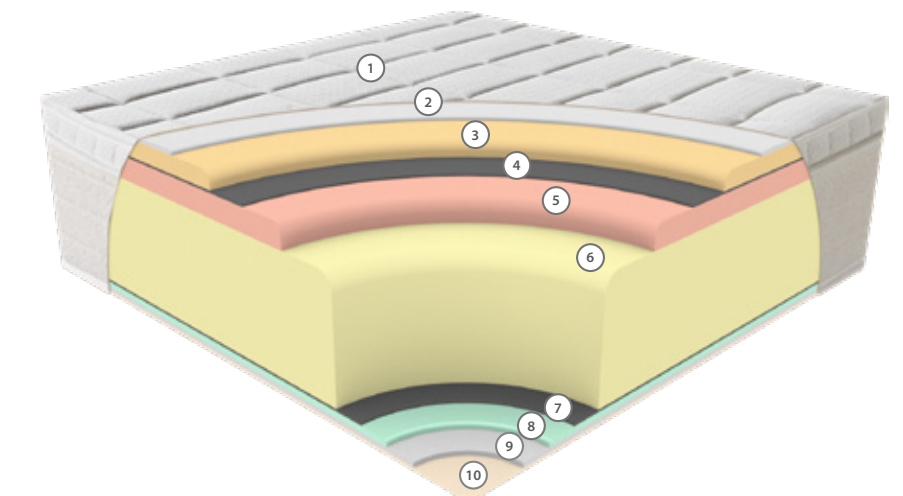
Visco (Memory Foam) is a special foam that conforms to body temperature and pressure, memorising body shape for maximum support. It distributes pressure evenly where the body contacts the mattress, reducing the load on the spine. The visco used in quilting delivers a soft, soothing, and enveloping sense of comfort.



BLOCK FOAM SYSTEM

The block foam system consists of high-density foam layers that form the mattress's main support structure. It provides balanced support to the body, helping to maintain the spine's natural alignment. The block foam used inside the mattress delivers a durable, long-lasting structure that retains its shape over time.

Mattress Firmness Chart	H1	H2	H3	H4
	Soft	Medium	Hard	Ultra Hard
60 - 80 kg				
80 - 100 kg				
100 - 120 kg				
120 - 150 kg				



- 1 Quilted Fabric
- 2 Cotton Fiber
- 3 Comfort Foam
- 4 Interlining
- 5 Memory foam
- 6 Block Comfort Foam
- 7 Interlining
- 8 Comfort Foam
- 9 Cotton Fiber
- 10 Quilted Fabric



90x190 90x200 100x200 120x200 140x190 140x200 150x200 160x200 180x200 200x200



What Should Be Done for a Healthy Sleep Routine?

Your mattress should properly align your spine and joints while providing adequate support against pressure points and discomfort. For this reason, using a mattress that is too hard or too soft should be avoided. A mattress that is excessively firm creates pressure on the body's key areas and may disrupt natural balance, while overly soft mattresses may fail to support pressure points effectively.

NEW COLLECTION



Princely Collection

Premium quality and
distinguished designs

NEW
COLLECTION



Soffia

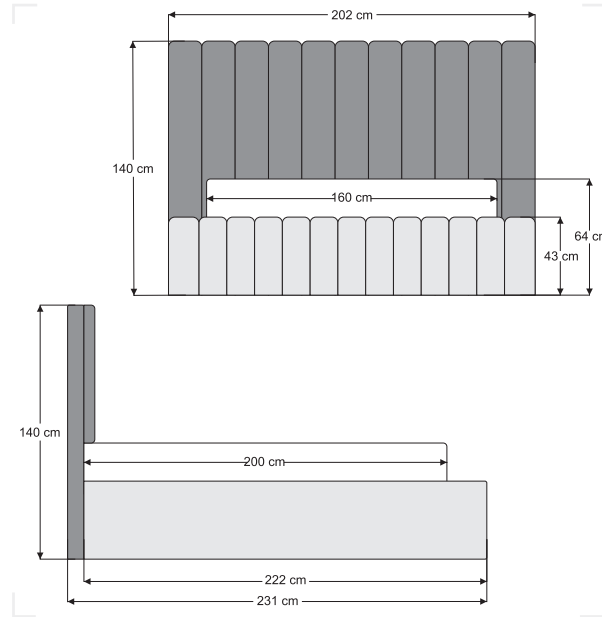
With its soft-textured surfaces and elegant design, Soffia brings a refined aesthetic to bedroom interiors. Its balanced form and flowing lines create a peaceful and modern atmosphere within the space. Combining comfort with sophistication, its distinctive design becomes a stylish focal point in contemporary living areas.



Soffia

BASE & HEADBOARD

- Rust-resistant and non-deformable steel construction internal frame.
- Sliding mechanism integrated into the inner base board to minimize noise and enhance durability.
- 5 cm deep pool system designed to keep the mattress securely in place.
- Aesthetic and easy-grip fabric lifting handles.
- Spacious under-bed storage compartment with full mattress-width usability.
- Gas lift and scissor mechanism reinforced with safety locks for enhanced family safety.
- Ventilation capsules designed to prevent moisture and odor formation.
- Reinforced metal profile chassis system designed for long-lasting durability.
- Balanced and easy-opening base mechanism designed for everyday comfort.



Set Includes: Soffia Set / Soffia Base, Soffia Headboard, Soffia Mattress, Soffia Nightstand, Soffia Bench

SOFFIA MATTRESS

Designed with advanced double layer pocket spring technology and an extra-thick pillow top, Soffia perfectly contours the body to provide balanced support and superior comfort. Its pressure-optimizing structure ensures uninterrupted sleep throughout the night. With its soft touch and strong inner construction, it is specially developed for those who never compromise on comfort.



5
Years
Warranty

36
cm

ORTHOPEDIC

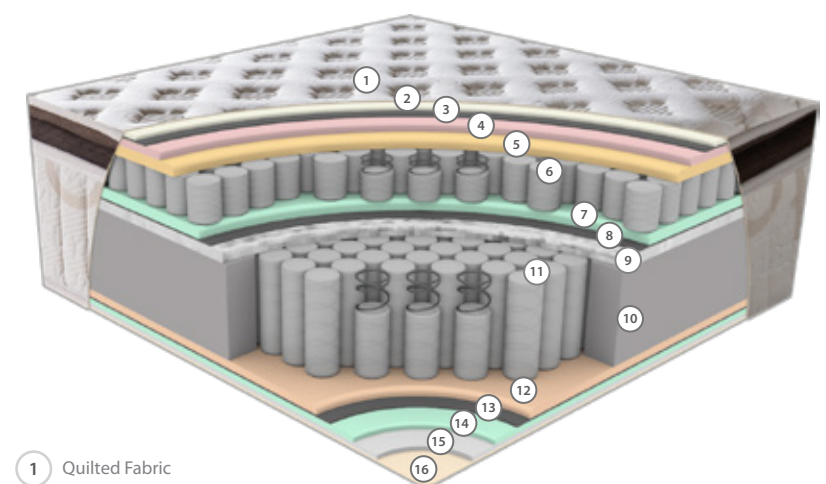
Experience unique support and comfort with an orthopedic mattress designed to align your spine and reduce pressure points. Ideal for those with back or joint pain, it supports proper posture and enhances sleep quality.

DOUBLE LAYER POCKET SPRING SYSTEM

The double layer pocket spring system consists of independent springs arranged in two layers. This structure provides precise support to the body, reduces pressure, and maintains spinal alignment. It also minimizes motion transfer, ensuring a peaceful and undisturbed sleep experience.

Mattress Firmness Chart	H1	H2	H3	H4
	Soft	Medium	Hard	Ultra Hard
60 - 80 kg				
80 - 100 kg				
100 - 120 kg				
120 - 150 kg				

- Quilted Fabric
- 1000 Count Extra Ped
- Knitted Fabric
- Double Layer Pocket Spring System
- Orthopedic
- One-Sided Use
- 4 Season Use
- Hyper Foam



- 1 Quilted Fabric
- 2 Cotton Fiber
- 3 Interlining
- 4 Soft Foam
- 5 Hyper Soft Foam
- 6 Micro Pocket Spring
- 7 Comfort Foam
- 8 Interlining
- 9 Edge Support Foam
- 10 Milform
- 11 1000 Count Pocket Spring
- 12 Termo Felt
- 13 Interlining
- 14 Comfort Foam
- 15 Micro Fiber Filling
- 16 Quilted Fabric

90x190 90x200 100x200 120x200 140x190 140x200 150x200 160x200 180x200 200x200

NEW
COLLECTION



Ocean

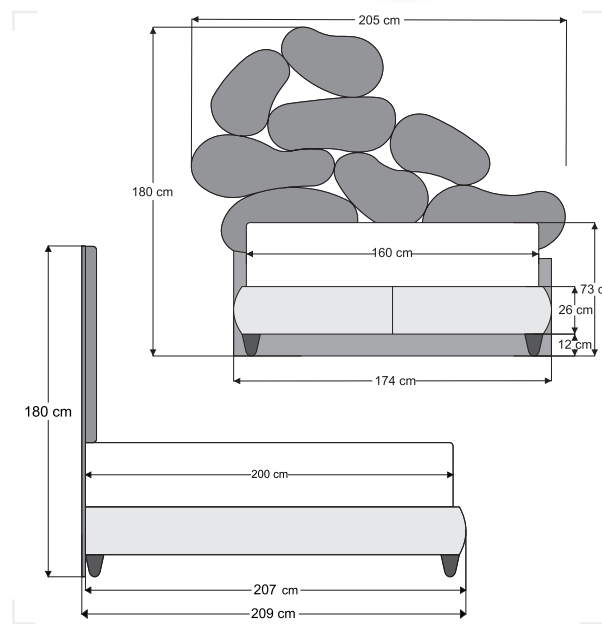
Inspired by the natural movement of ocean waves, Ocean brings a modern and artistic character to bedroom interiors with its distinctive headboard design. Its flowing lines and soft surfaces create a calm and airy atmosphere, while combining aesthetic elegance with comfort to deliver a truly eye-catching living space.



Ocean

BASE & HEADBOARD

- Rust-resistant and non-deformable steel construction internal frame.
- Sliding mechanism integrated into the inner base board to minimize noise and enhance durability.
- Aesthetic and easy-grip fabric lifting handles.
- Spacious under-bed storage compartment with full mattress-width usability.
- Gas lift and scissor mechanism reinforced with safety locks for enhanced family safety.
- Ventilation capsules designed to prevent moisture and odor formation.
- High durable legs designed to make floor cleaning easier.



OCEAN MATTRESS

Ocean redefines deep comfort with its advanced multi-layer technology and impressive 41 cm height. While the latex, visco, and Hyper Soft foam layers gently contour the body, the 2000 Count Pocket Spring and Micro Pocket Spring systems provide flawless support. Creating the sensation of sleeping in the depths of the ocean, it transforms every night into an uninterrupted and premium sleep experience.



5
Years
Warranty

41
cm

LATEX

Latex is a natural and durable material derived from the rubber tree. It provides excellent body support, distributes pressure evenly, and offers a cooler sleep experience thanks to its breathable structure. Its hypoallergenic properties help protect against allergens while creating a healthy and long-lasting sleep environment.

2000 COUNT POCKET SPRING SYSTEM

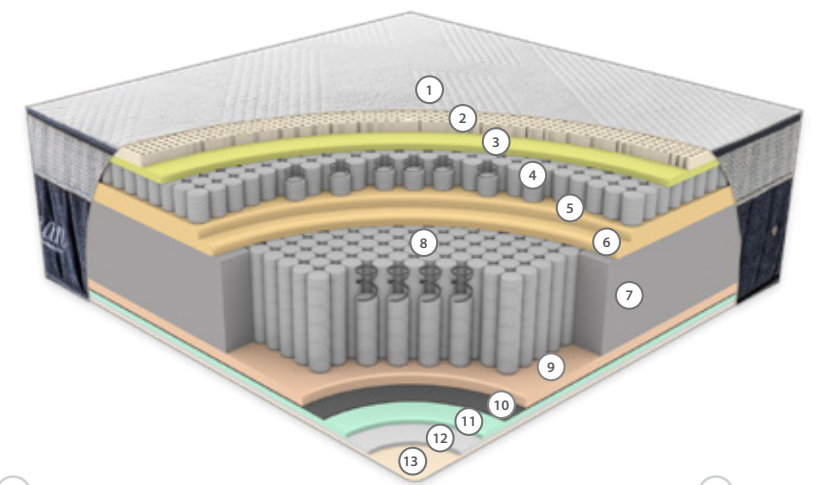
Each individually encased 2000 micro pocket spring adapts precisely to the body contours. With maximum motion isolation and optimized pressure distribution, it delivers a unique level of sleep comfort.

2000 MICRO SPRING SYSTEM

The 2000 Micro Spring System consists of smaller springs positioned closer together to provide highly sensitive body support. By reducing pressure points, it enhances comfort and distributes body weight evenly. The additional sensitivity layer strengthens the mattress's overall support performance.

Mattress Firmness Chart	H1	H2	H3	H4
	Soft	Medium	Hard	Ultra Hard
60 - 80 kg				
80 - 100 kg				
100 - 120 kg				
120 - 150 kg				

- Latex
- Quilted Fabric
- Knitted Fabric
- Micro Pocket Spring
- 2000 Count Pocket Spring System
- Double Layer Pocket Spring
- Orthopedic
- One-Sided Use
- Comfort Foam
- 4 Season Use
- Hyper Foam
- Visco



- 1 Quilted Fabric
- 2 Latex
- 3 Visco
- 4 2000 Micro Spring
- 5 Hyper Soft Foam
- 6 Soft Foam
- 7 Edge Support Foam
- 8 2000 Count Pocket Spring
- 9 Termo Felt
- 10 Interlining
- 11 Comfort Foam
- 12 Micro Fiber Filling
- 13 Quilted Fabric



NEW
COLLECTION

Twell

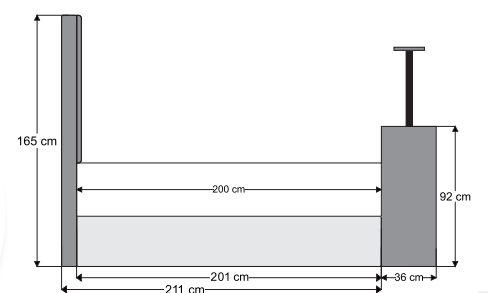
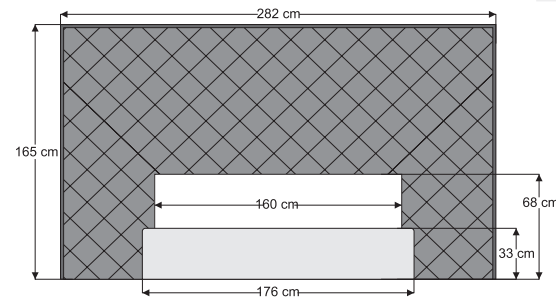
Standing out with its elegant upholstery details, Twell brings a strong aesthetic presence to modern bedroom interiors. Thanks to the motorized TV mechanism integrated into the front section of the base, it offers a smart user experience with remote-controlled opening and closing functionality. Combining comfort, technology, and luxury design, Twell features a special padding structure and soft-textured upholstery for an exceptional living experience.



Twell

BASE & HEADBOARD

- Remote-controlled hidden lift TV mechanism integrated into the front section of the base.
- Sliding mechanism integrated into the inner base board to minimize noise and enhance durability.
- Aesthetic and easy-grip fabric-covered metal lifting handles.
- Spacious under-bed storage compartment with full mattress-width usability.
- Gas lift and scissor mechanism reinforced with safety locks for enhanced family safety.
- Ventilation capsules designed to prevent moisture and odor formation.
- Rust-resistant and non-deformable steel construction internal frame.



Set Includes: Twell Set / Twell Base, Twell Headboard, Relax Well Topper Mattress, Twell Nightstand, Twell TV Unit

RELAX WELL TOPPER MATTRESS

Relax Well Topper Mattress is designed to deliver a premium sleep experience with its rich multi-layer structure and advanced comfort technologies. The cotton fiber and Hyper Soft foam in the upper layer create an instant soft and comfortable feel, while the supportive foam layers and 1000 Count Pocket Spring System provide ideal body alignment. Its breathable fabric structure helps optimize moisture balance and minimize sweating. Reinforced edge support and multi-layer inner construction ensure durability, balanced support, and uninterrupted luxury comfort.



5
Years
Warranty

42
cm

- Plush Fabric
- Quilted Fabric
- Orthopedic
- One-Sided Use
- 4 Season Use
- Hyper Foam
- Pocket Spring System



HYPER SOFT FOAM

Hyper SOFT Foam is a specially developed material with an ultra-soft and flexible structure. It provides a gentle touch sensation during body contact with the mattress. Used in the quilting layer, Hyper Foam delivers a soft and smooth surface feel for enhanced comfort.

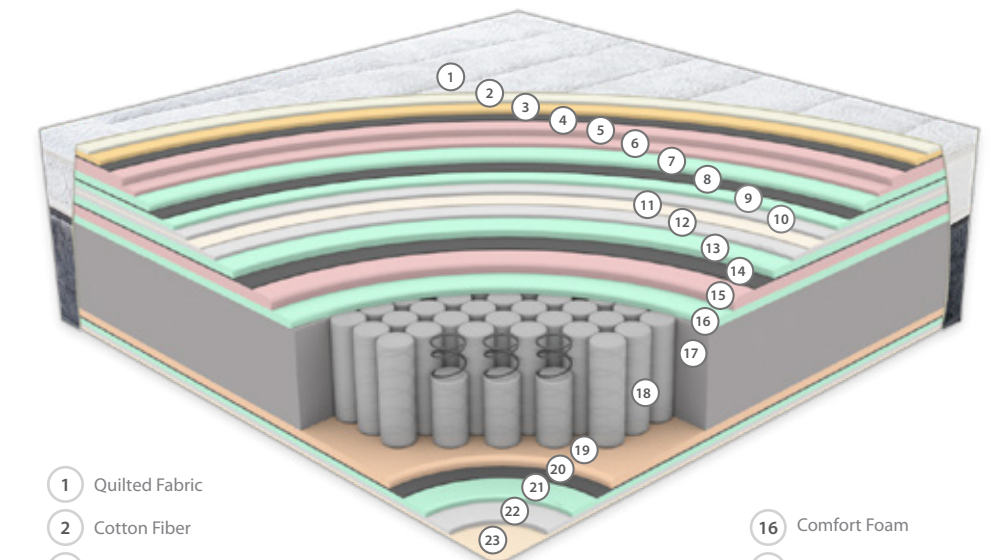
POCKET SPRING SYSTEM

The pocket spring system is an innovative design in which each spring is individually encased in its own fabric pocket. This independent structure provides tailored support for every part of the body, ensuring excellent body adaptation. Pocket springs minimize motion transfer for a peaceful sleep experience and superior comfort.

ZIPPER-DETACHABLE TOPPER SYSTEM

The zipper-detachable topper system allows the upper comfort layer to be easily separated from the main mattress body. This feature provides hygienic use, easier cleaning, and personalized comfort adjustment while helping maintain mattress performance for long-term flexible and functional use.

Mattress Firmness Chart	H1	H2	H3	H4
	Soft	Medium	Hard	Ultra Hard
60 - 80 kg				
80 - 100 kg				
100 - 120 kg				
120 - 150 kg				



- 1 Quilted Fabric
- 2 Cotton Fiber
- 3 Hyper Soft Foam
- 4 Interlining
- 5 Soft Foam
- 6 Soft Foam
- 7 Comfort Foam
- 8 Interlining
- 9 Comfort Foam
- 10 Micro Fiber Filling
- 11 Top / Bottom Fabric
- 12 Micro Fiber Filling
- 13 Comfort Foam
- 14 Interlining
- 15 Soft Foam
- 16 Comfort Foam
- 17 Edge Support Foam
- 18 1000 Count Pocket Spring
- 19 Termo Felt
- 20 Interlining
- 21 Comfort Foam
- 22 Micro Fiber Filling
- 23 Quilted Fabric

90x190 90x200 100x200 120x200 140x190 140x200 150x200 160x200 180x200 200x200

NEW
COLLECTION



King Master

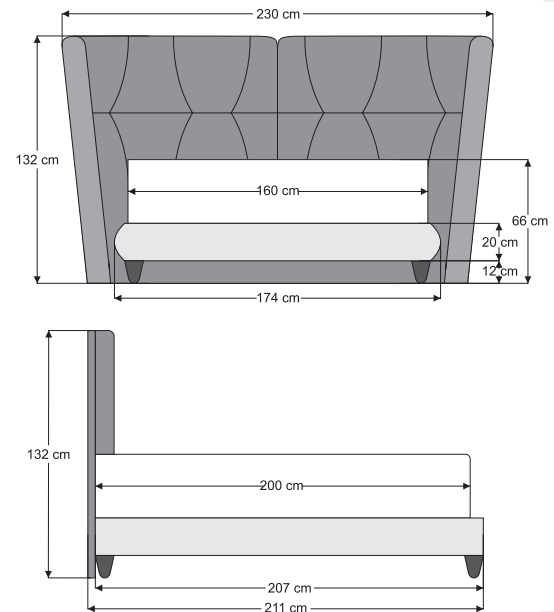
Standing out with its strong design language and voluminous headboard form, King Master brings an impressive character to bedroom interiors. Its carefully crafted quilted details and rich padding structure offer both refined aesthetics and exceptional comfort. Combining modern and classic design elements, it creates a powerful and prestigious atmosphere within living spaces.



King Master

BASE & HEADBOARD

- Rust-resistant and corrosion-proof steel construction.
- Silent sliding base mechanism that enhances durability and ease of use.
- High-strength legs designed to simplify floor cleaning.
- Ergonomic fabric-covered metal handles for a stylish and comfortable grip.
- Spacious storage compartment across the full bed width.
- Gas lift and scissor mechanism reinforced with safety locks for secure use.
- Ventilation capsules that help prevent moisture and odor formation.
- Special upholstery surface designed to keep the mattress securely in place.



Set Content: KING MASTER SET / King Master Bed Base, King Master Headboard, King Master Mattress, King Master Bench.

KING MASTER MATTRESS

King Master mattress delivers a premium sleep experience through the flawless combination of advanced engineering and luxurious comfort layers. Its impressive 41 cm height creates a grand sleeping surface, while the 1000 Count Micro Pocket Spring layer positioned in the upper pad provides extra-sensitive comfort support. The lower 2000 Count Pocket Spring system deeply supports the body and helps maintain spinal alignment. Natural latex enhances breathability and flexibility, while Hyper Soft foam and multilayer comfort layers create a plush welcoming feel. Supported by a micro spring layer and reinforced edge support system, King Master offers maximum motion isolation, durability, and exceptional premium comfort in every detail.



5
Years
Warranty

41
cm

LATEX

Latex is a natural and durable material derived from the rubber tree. It provides excellent body support, distributes pressure evenly, and promotes a cooler sleep environment thanks to its breathable structure. Its hypoallergenic properties help protect against allergens while ensuring long-lasting comfort and a healthier sleeping environment.

2000 COUNT POCKET SPRING SYSTEM

Each individually wrapped micro spring adapts precisely to the body's contours. It delivers outstanding motion isolation and optimal pressure distribution, creating a unique and comfortable sleeping experience.

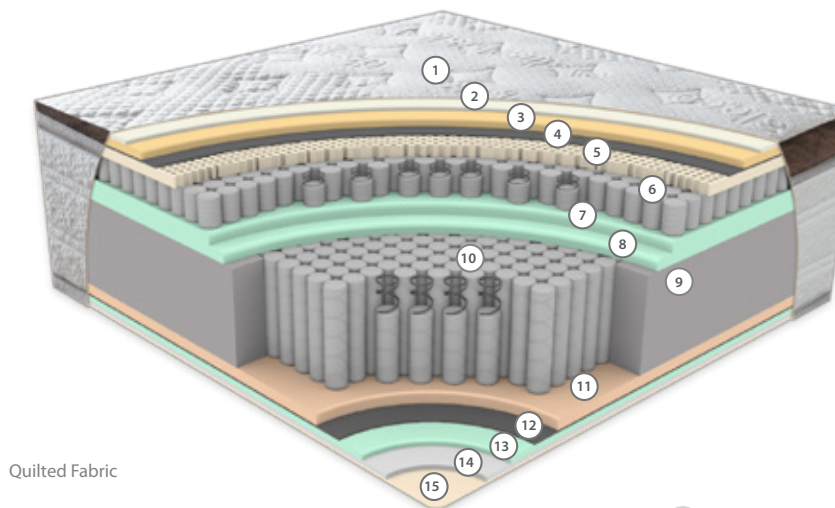
1000 COUNT MICRO POCKET SPRING SYSTEM

The 1000 Count Micro Pocket Spring System consists of smaller, highly responsive springs positioned in the upper comfort layer. It instantly adapts to the body's surface, helping reduce pressure points while adding an extra level of comfort. Working together with the lower spring layer, it provides dual-layer support and minimizes movement throughout the night.

Mattress Firmness Chart	H1	H2	H3	H4
	Soft	Medium	Hard	Ultra Hard
60 - 80 kg				
80 - 100 kg				
100 - 120 kg				
120 - 150 kg				

90x190 90x200 100x200 120x200 140x190 140x200 150x200 160x200 180x200 200x200

- Latex
- Quilted Fabric
- 1000 Count Extra Ped
- Knitted Fabric
- Double Layer Pocket Spring
- 2000 Count Pocket Spring System
- Orthopedic
- One-Sided Use
- 4 Season Use



- 1 Quilted Fabric
- 2 Cotton Fiber
- 3 Hyper Soft Foam
- 4 Interlining
- 5 Latex
- 6 Micro Pocket Spring
- 7 Comfort Foam
- 8 Comfort Foam
- 9 Edge Support Foam
- 10 2000 Count Pocket Spring
- 11 Termo Felt
- 12 Interlining
- 13 Comfort Foam
- 14 Micro Fiber Filling
- 15 Quilted Fabric

NEW
COLLECTION



Serene Sofa

Bringing a calm and contemporary atmosphere to bedroom interiors, the Serene Sofa stands out with its elegant quilted detailing and comfortable seating area. Its aesthetic appeal and functional design provide added comfort for everyday use while enhancing the overall

living experience.

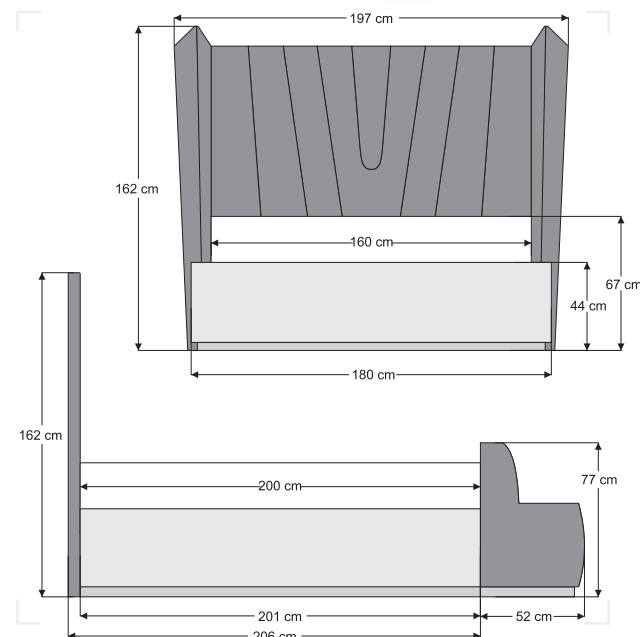
With its modern lines and soft silhouette, Serene Sofa creates a peaceful and sophisticated ambiance, adding style and comfort to any bedroom setting.



Serene Sofa

BASE & HEADBOARD

- Rust-resistant and corrosion-proof steel construction.
- Silent sliding base mechanism integrated into the base platform for enhanced durability and quiet operation.
- Ergonomic fabric-covered metal handles designed for a comfortable and stylish grip.
- Side-opening storage base mechanism for practical access.
- Spacious storage compartment extending across the full bed width.
- Integrated sofa bench design specially developed for the Serene Sofa model.
- Additional storage space inside the sofa bench.
- Gas lift and scissor mechanism reinforced with safety locks for secure use.
- Ventilation capsules that help prevent moisture and odor formation.



Set Content: SERENE SOFA SET / Serene Sofa Bed Base, Serene Sofa Headboard, Relax Well Topper Mattress, Serene Sofa Bench.

RELAX WELL TOPPER MATTRESS

Relax Well Topper Mattress is designed to deliver a premium sleep experience with its rich multi-layer structure and advanced comfort technologies. The cotton fiber and Hyper Soft foam in the upper layer create an instant soft and comfortable feel, while the supportive foam layers and 1000 Count Pocket Spring System provide ideal body alignment. Its breathable fabric structure helps optimize moisture balance and minimize sweating. Reinforced edge support and multi-layer inner construction ensure durability, balanced support, and uninterrupted luxury comfort.



5
Years
Warranty

42
cm

HYPER SOFT FOAM

Hyper soft Foam is a specially developed material with an ultra-soft and flexible structure. It provides a gentle touch sensation during body contact with the mattress. Used in the quilting layer, Hyper Foam delivers a soft and smooth surface feel for enhanced comfort.

POCKET SPRING SYSTEM

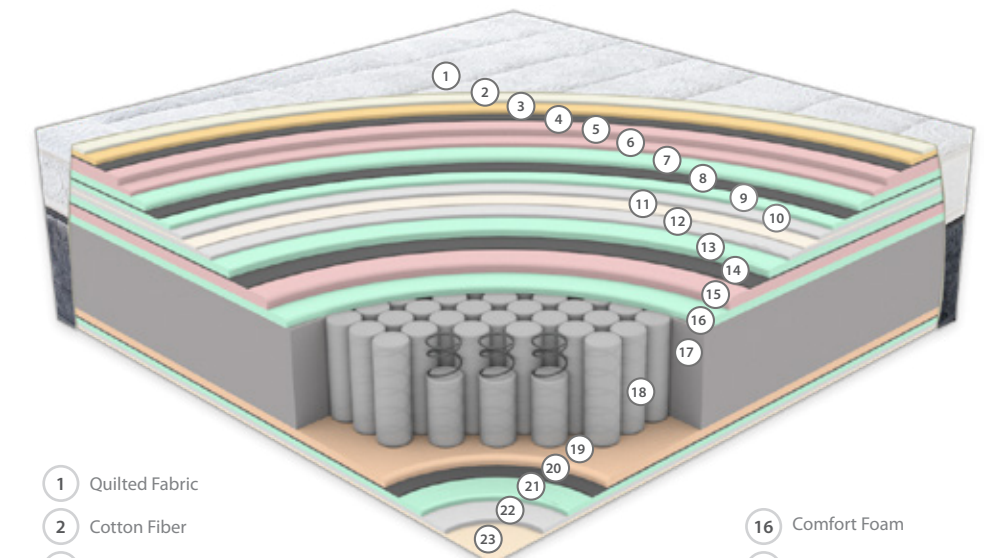
The pocket spring system is an innovative design in which each spring is individually encased in its own fabric pocket. This independent structure provides tailored support for every part of the body, ensuring excellent body adaptation. Pocket springs minimize motion transfer for a peaceful sleep experience and superior comfort.

ZIPPER-DETACHABLE TOPPER SYSTEM

The zipper-detachable topper system allows the upper comfort layer to be easily separated from the main mattress body. This feature provides hygienic use, easier cleaning, and personalized comfort adjustment while helping maintain mattress performance for long-term flexible and functional use.

Mattress Firmness Chart	H1	H2	H3	H4
	Soft	Medium	Hard	Ultra Hard
60 - 80 kg				
80 - 100 kg				
100 - 120 kg				
120 - 150 kg				

- Plush Fabric
- Quilted Fabric
- Orthopedic
- One-Sided Use
- 4 Season Use
- Hyper Foam
- Pocket Spring System



- 1 Quilted Fabric
- 2 Cotton Fiber
- 3 Hyper Soft Foam
- 4 Interlining
- 5 Soft Foam
- 6 Soft Foam
- 7 Comfort Foam
- 8 Interlining
- 9 Comfort Foam
- 10 Micro Fiber Filling
- 11 Top / Bottom Fabric
- 12 Micro Fiber Filling
- 13 Comfort Foam
- 14 Interlining
- 15 Soft Foam
- 16 Comfort Foam
- 17 Edge Support Foam
- 18 1000 Count Pocket Spring
- 19 Termo Felt
- 20 Interlining
- 21 Comfort Foam
- 22 Micro Fiber Filling
- 23 Quilted Fabric

90x190 90x200 100x200 120x200 140x190 140x200 150x200 160x200 180x200 200x200



HOW SHOULD THE RIGHT MATTRESS SIZE BE CHOSEN?

When selecting a mattress size, couples should be able to lie side by side with their hands placed behind their heads without their elbows touching each other. This is a practical way to determine the ideal mattress width. For single sleepers, when lying at one end of the mattress and extending an arm to the opposite side, the wrist should remain within the mattress boundaries.

NEW COLLECTION



Harmony Collection

High Quality and
Distinguished Designs

NEW
COLLECTION



Silent Night

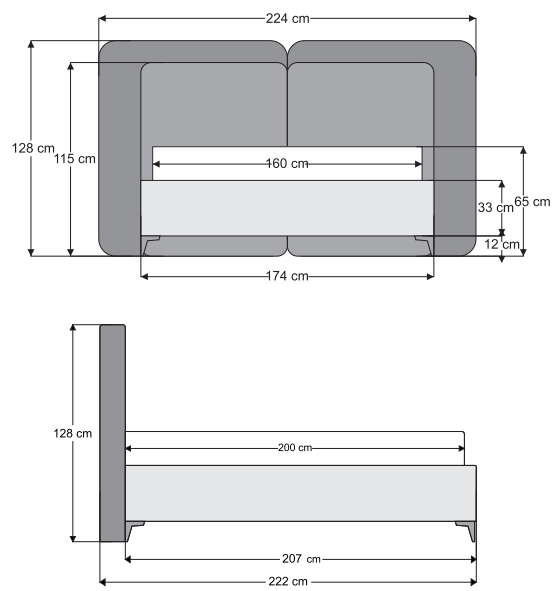
Blending modern and classic design elements in perfect harmony, Silent Night brings a refined character to bedroom interiors through its distinctive leather accents. The combination of soft-touch fabric and elegant leather details creates a sophisticated balance of comfort and style. Carefully crafted finishes add timeless appeal, while enhancing living spaces with a graceful and well-balanced atmosphere.



Silent Night

BED BASE & HEADBOARD

- Rust-resistant and corrosion-proof steel construction.
- Silent sliding base mechanism integrated into the base platform for enhanced durability and quiet operation.
- 5 cm deep mattress-retaining frame designed to keep the mattress securely in place.
- Ergonomic fabric-covered handles for a comfortable and stylish grip.
- Spacious storage compartment extending across the full bed width.
- Gas lift and scissor mechanism reinforced with safety locks for secure use.
- Ventilation capsules that help prevent moisture and odor formation.
- Reinforced metal profile chassis system for long-lasting durability.
- Smooth and balanced opening mechanism designed for everyday comfort and ease of use.



SILENT NIGHT MATTRESS

The Silent Night mattress combines comfort and balance in a simple yet effective design. Its cotton filling provides natural breathability throughout the night, while Hyper Soft foam gives the body a soft, welcoming feel. The 1000-count pocket spring system distributes body weight evenly, supporting the spine and providing motion isolation for an uninterrupted sleep experience. With its supportive foam layers and solid edge structure, it delivers balanced comfort at every point — an ideal and reliable mattress for daily use.



5
Years
Warranty

↑ 28
cm

COTTON

Cotton is one of the most natural, breathable mattress materials. It regulates body temperature, minimises perspiration, and creates a cool sleep environment. Soft on the skin and resistant to allergens.

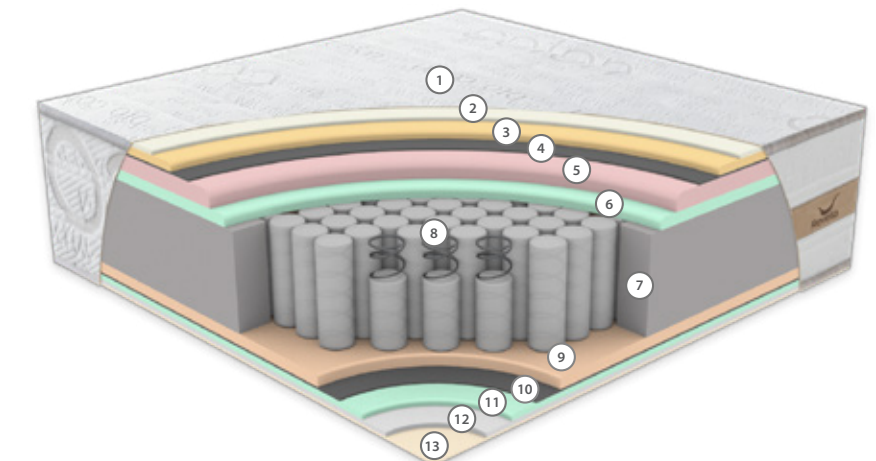


POCKET SPRING SYSTEM

Each spring sits in its own fabric pocket, providing tailored support to every body zone. This independent structure minimises motion transfer for a peaceful, superior-comfort sleep.

HYPER SOFT FOAM

Hyper Soft foam is a very soft, flexible special foam. It gives a soft touch where the body contacts the mattress. The Hyper foam used in quilting provides a plush fabric-like feel.



- 1 Quilted Fabric
- 2 Cotton Fiber
- 3 Hyper Soft Sünger
- 4 Interlining
- 5 Soft Foam
- 6 Comfort Foam
- 7 Edge Support Foam
- 8 1000 Count Pocket Spring
- 9 Termo Felt
- 10 Interlining
- 11 Comfort Foam
- 12 Micro Fiber Filling
- 13 Quilted Fabric

Mattress Firmness Chart	H1	H2	H3	H4
	Soft	Medium	Hard	Ultra Hard
60 - 80 kg				
80 - 100 kg				
100 - 120 kg				
120 - 150 kg				

90x190 90x200 100x200 120x200 140x190 140x200 150x200 160x200 180x200 200x200

- 100 Cotton
- Quilted Fabric
- Knitted Fabric
- Orthopedic
- One-Sided Use
- 4 Season Use
- Hyper Foam
- Pocket Spring System
- Roll Pack

NEW
COLLECTION



Wrinkle

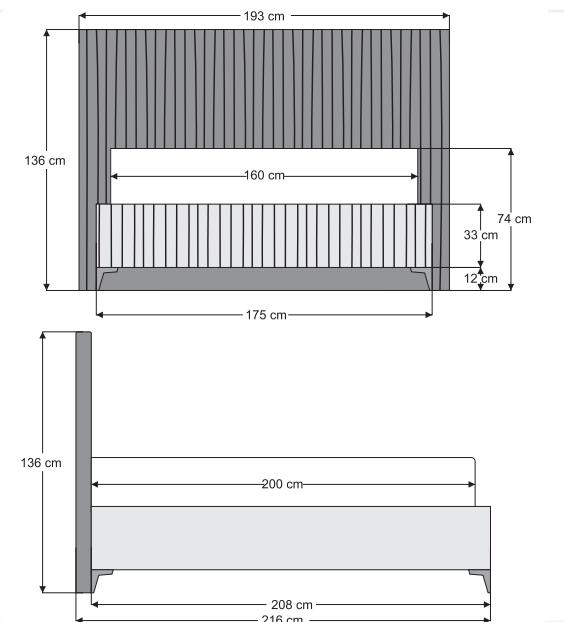
Set Content: SILENT NIGHT SET / Silent Night Bed Base, Silent Night Headboard, Silent Night Mattress, Silent Night Nightstand, Silent Night Bench.



Wrinkle

BASE & HEADBOARD

- Durable steel frame construction resistant to rust and corrosion.
- Silent slatted base mechanism designed to enhance durability and prevent noise.
- High, reinforced legs for easier floor cleaning.
- Fabric-covered handles designed for an elegant look and comfortable grip.
- Spacious storage compartment extending across the full bed width.
- Safety-enhanced gas lift and scissor mechanism reinforced with security locks for added protection.
- Ventilation capsules that help prevent moisture and odor formation.
- 5 cm deep anti-slip mattress retainer system to keep the mattress securely in place.
- Additional storage space integrated into the bench.



Set Includes: WRINKLE SET / Wrinkle Base, Wrinkle Headboard, Wrinkle Mattress, Wrinkle Nightstand, Wrinkle Bench.

WRINKLE MATTRESS

Designed with advanced double layer pocket spring technology and an extra-thick pillow top, Wrinkle perfectly contours the body to provide balanced support and superior comfort. Its pressure-optimizing structure ensures uninterrupted sleep throughout the night. With its soft touch and strong inner construction, it is specially developed for those who never compromise on comfort.



5
Years
Warranty

33
cm

ORTHOPEDIC

Designed to align your spine and reduce pressure points. Supports proper posture and enhances sleep quality.

DOUBLE LAYER POCKET SPRING SYSTEM

Independent springs in two layers provide precise support, reduce pressure, maintain spinal alignment and minimize motion transfer.

Mattress Firmness Chart	H1	H2	H3	H4
	Soft	Medium	Hard	Ultra Hard
60 - 80 kg				
80 - 100 kg				
100 - 120 kg				
120 - 150 kg				



Quilted Fabric



1000 Count Extra Ped



Knitted Fabric



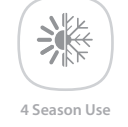
Double Layer Pocket Spring System



Orthopedic



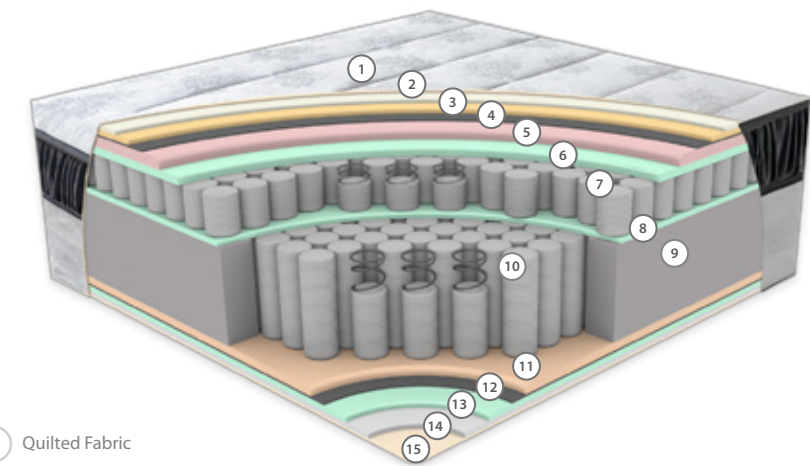
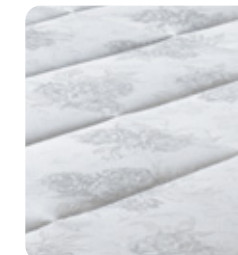
One-Sided Use



4 Season Use



Hyper Foam



- 1 Quilted Fabric
- 2 Cotton Fiber
- 3 Hyper Soft Foam
- 4 Interlining
- 5 Soft Foam
- 6 Comfort Foam

- 7 1000 Count micro Pocket Spring
- 8 Comfort Foam
- 9 Edge Support Foam
- 10 1000 Count Pocket Spring

- 11 Termo Felt
- 12 Interlining
- 13 Comfort Foam
- 14 Micro Fiber Filling
- 15 Quilted Fabric

90x190 90x200 100x200 120x200 140x190 140x200 150x200 160x200 180x200 200x200

NEW
COLLECTION



New Form

Blending contemporary design with specially crafted upholstery details, New Form brings a balanced and refined character to the bedroom. Its headboard, featuring a single-piece upholstered surface, combines elegant form language with meticulous craftsmanship to deliver both comfort and visual harmony.

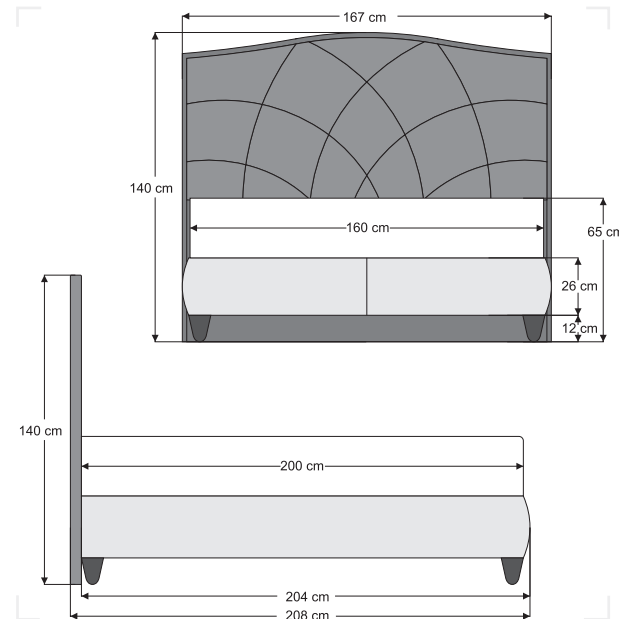
With its timeless design, New Form creates a clean and sophisticated atmosphere in modern living spaces.



New Form

BASE & HEADBOARD

- Durable steel frame construction resistant to rust and corrosion.
- Silent slatted base mechanism designed to enhance durability and prevent noise.
- High-strength legs designed for easier floor cleaning.
- Fabric-covered metal handles combining elegant aesthetics with a comfortable grip.
- Spacious storage compartment extending across the full bed width.
- Safety-enhanced gas lift and scissor mechanism reinforced with security locks for added protection.
- Ventilation capsules that help prevent moisture and odor formation.
- Special upholstery designed to keep the mattress securely in place.
- Aesthetic headboard design crafted using advanced upholstery techniques.
- Available in a wide range of fabric and color options.



Set Includes: NEW FORM SET / New Form Base, New Form Headboard, Silent Night Mattress, New Form Nightstand, New Form Bench.

SILENT NIGHT MATTRESS

The Silent Night mattress combines comfort and balance in a simple yet effective design. Its cotton filling provides natural breathability throughout the night, while Hyper Soft foam gives the body a soft, welcoming feel. The 1000-count pocket spring system distributes body weight evenly, supporting the spine and providing motion isolation for an uninterrupted sleep experience. With its supportive foam layers and solid edge structure, it delivers balanced comfort at every point — an ideal and reliable mattress for daily use.



5
Years Warranty

↑ 28 cm

COTTON

Cotton is one of the most natural, breathable mattress materials. It regulates body temperature, minimises perspiration, and creates a cool sleep environment. Soft on the skin and resistant to allergens.

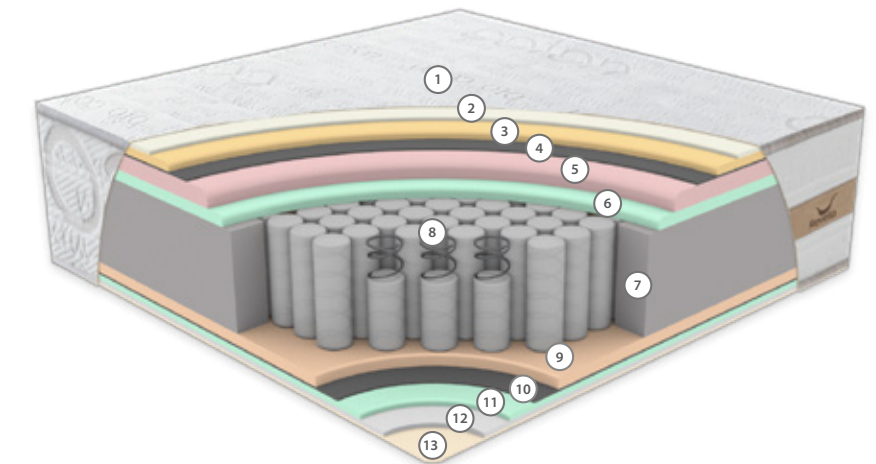


POCKET SPRING SYSTEM

Each spring sits in its own fabric pocket, providing tailored support to every body zone. This independent structure minimises motion transfer for a peaceful, superior-comfort sleep.

HYPER SOFT FOAM

Hyper Soft foam is a very soft, flexible special foam. It gives a soft touch where the body contacts the mattress. The Hyper foam used in quilting provides a plush fabric-like feel.



- 1 Quilted Fabric
- 2 Cotton Fiber
- 3 Hyper Soft Sünger
- 4 Interlining
- 5 Soft Foam
- 6 Comfort Foam
- 7 Edge Support Foam
- 8 1000 Count Pocket Spring
- 9 Termo Felt
- 10 Interlining
- 11 Comfort Foam
- 12 Micro Fiber Filling
- 13 Quilted Fabric

Mattress Firmness Chart	H1	H2	H3	H4
	Soft	Medium	Hard	Ultra Hard
60 - 80 kg				
80 - 100 kg				
100 - 120 kg				
120 - 150 kg				

90x190 90x200 100x200 120x200 140x190 140x200 150x200 160x200 180x200 200x200



%100 Cotton



Quilted Fabric



Knitted Fabric



Orthopedic



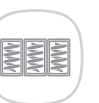
One-Sided Use



4 Season Use



Hyper Foam



Pocket Spring System



Roll Pack

NEW
COLLECTION



Stella

Blending classic Chesterfield upholstery details with a modern design approach, Stella brings a strong yet elegant character to the bedroom. Its carefully crafted upholstery surface and balanced design language deliver both visual appeal and exceptional comfort.

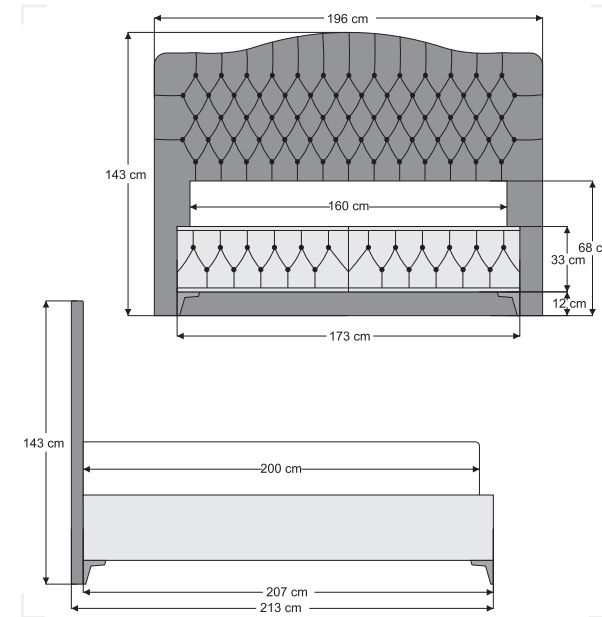
With its timeless silhouette, Stella creates a sophisticated and distinguished atmosphere, adding a refined touch to any living space.



Stella

BASE & HEADBOARD

- Durable steel frame construction resistant to rust and corrosion.
- Silent slatted base mechanism designed to enhance durability and prevent noise.
- High, fabric-upholstered legs designed for durability and easier floor cleaning.
- Fabric-covered handles designed for an elegant look and comfortable grip.
- Spacious storage compartment extending across the full bed width.
- Safety-enhanced gas lift and scissor mechanism reinforced with security locks for added protection.
- Ventilation capsules that help prevent moisture and odor formation.
- 5 cm deep anti-slip mattress retainer system to keep the mattress securely in place.
- Elegant headboard and base design featuring classic Chesterfield upholstery details.



Set Includes: STELLA SET / Stella Base, Stella Headboard, Stella Mattress, Stella Nightstand, Stella Bench.

STELLA MATTRESS

Stella combines balanced support with advanced comfort technologies to deliver a powerful and restorative sleep experience. Hyper Soft Foam layers provide a gentle, cushioned feel, while the 1000 Count Pocket Spring System evenly distributes body weight and supports proper spinal alignment. Its rich internal structure and breathable materials help regulate pressure and improve airflow for uninterrupted sleep. Reinforced edge support enhances stability across the entire mattress surface, ensuring long-lasting durability and superior performance.



5
Years
Warranty

32
cm

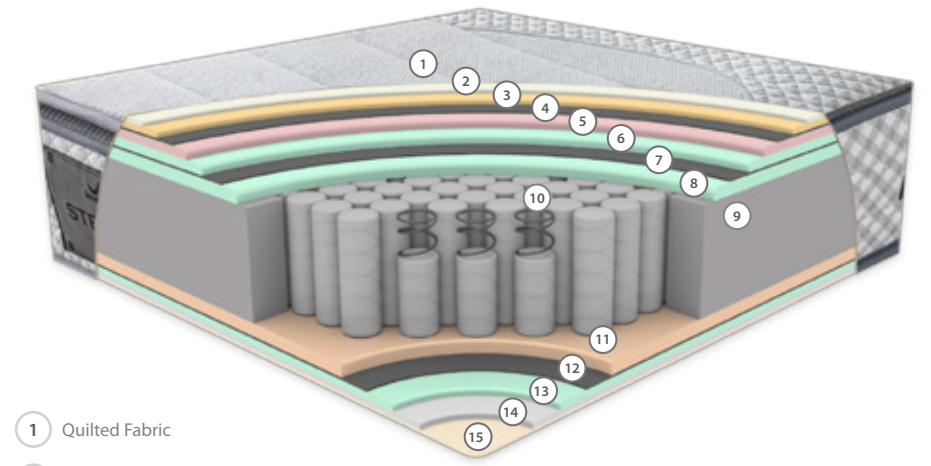
HYPER SOFT FOAM

Hyper Foam is a specially engineered ultra-soft and flexible foam. It provides a gentle first-contact sensation between the body and the mattress. Used within the quilting layer, Hyper Foam creates a soft and luxurious surface feel.



POCKET SPRING SYSTEM

Paket yay sistemi, her yayının ayrı bir kumaş torbada yer aldığı yenilikçi bir tasarımıdır. Bu bağımsız yapı, vücudun her bölgesine özel destek sunarak mükemmel uyum sağlar. Paket yaylar, hareketleri minimum düzeyde yayararak huzurlu bir uyku deneyimi ve üstün konfor sunar.



- 1 Quilted Fabric
- 2 Cotton Filling
- 3 Hyper Soft Sünger
- 4 Interlining
- 5 Soft Foam
- 6 Comfort Foam
- 7 Quilted Interlining
- 8 Comfort Foam
- 9 Edge Support Foam
- 10 1000 Count Pocket
- 11 Termo Felt
- 12 Interlining
- 13 Comfort Foam
- 14 Micro Fiber Filling
- 15 Quilted Fabric

Mattress Firmness Chart	H1	H2	H3	H4
	Soft	Medium	Hard	Ultra Hard
60 - 80 kg				
80 - 100 kg				
100 - 120 kg				
120 - 150 kg				

90x190 90x200 100x200 120x200 140x190 140x200 150x200 160x200 180x200 200x200



NEW
COLLECTION



Moon

Blending contemporary design with elegant upholstery details inspired by the graceful form of the moon, Moon brings a soft and balanced atmosphere to the bedroom. Its refined silhouette and meticulous craftsmanship provide both exceptional comfort and visual harmony.

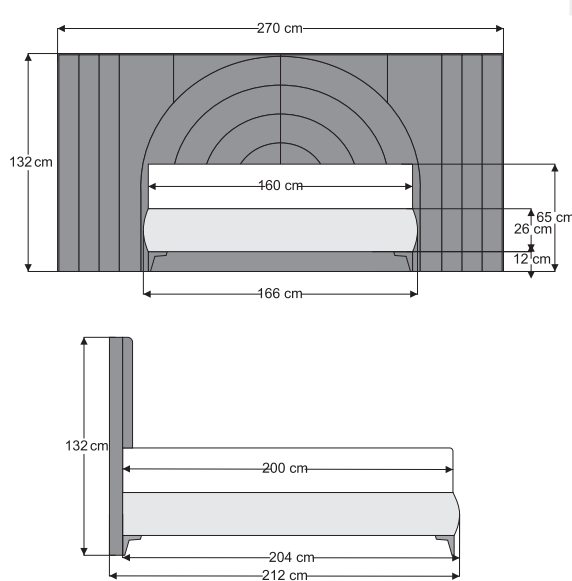
With its stylish design, Moon creates a sophisticated and modern presence, adding a distinctive touch to any living space.



Moon

BASE & HEADBOARD

- Durable steel frame construction resistant to rust and corrosion.
- Silent slatted base mechanism designed to enhance durability and prevent noise.
- High-strength metal legs designed for durability and easier floor cleaning.
- Fabric-covered metal handles combining elegant aesthetics with a comfortable grip.
- Spacious storage compartment extending across the full bed width.
- Safety-enhanced gas lift and scissor mechanism reinforced with security locks for added protection.
- Ventilation capsules that help prevent moisture and odor formation.
- Special panel upholstery applied to the headboard and nightstand, reflecting a unified design language.
- Functional nightstand design with an opening storage compartment.



SILENT NIGHT MATTRESS

The Silent Night mattress combines comfort and balance in a simple yet effective design. Its cotton filling provides natural breathability throughout the night, while Hyper Soft foam gives the body a soft, welcoming feel. The 1000-count pocket spring system distributes body weight evenly, supporting the spine and providing motion isolation for an uninterrupted sleep experience. With its supportive foam layers and solid edge structure, it delivers balanced comfort at every point — an ideal and reliable mattress for daily use.



5
Years
Warranty

28
cm

COTTON

Cotton is one of the most natural, breathable mattress materials. It regulates body temperature, minimises perspiration, and creates a cool sleep environment. Soft on the skin and resistant to allergens.

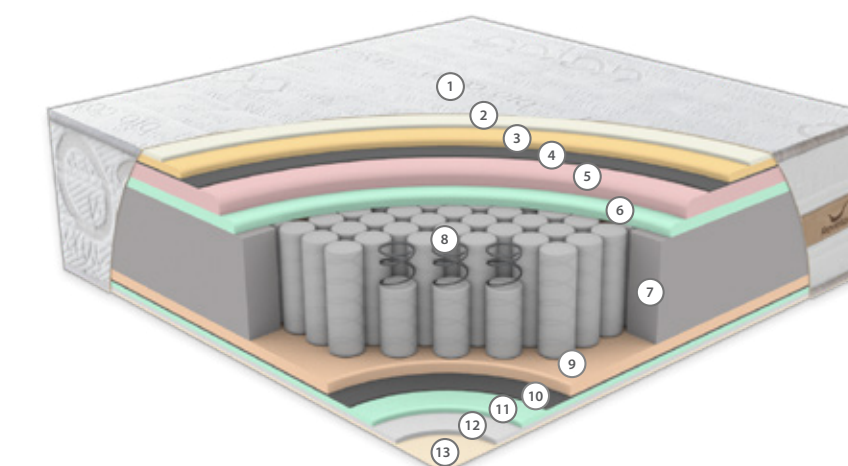


POCKET SPRING SYSTEM

Each spring sits in its own fabric pocket, providing tailored support to every body zone. This independent structure minimises motion transfer for a peaceful, superior-comfort sleep.

HYPER SOFT FOAM

Hyper Soft foam is a very soft, flexible special foam. It gives a soft touch where the body contacts the mattress. The Hyper foam used in quilting provides a plush fabric-like feel.



Mattress Firmness Chart	H1	H2	H3	H4
	Soft	Medium	Hard	Ultra Hard
60 - 80 kg				
80 - 100 kg				
100 - 120 kg				
120 - 150 kg				

- 1 Quilted Fabric
- 2 Cotton Fiber
- 3 Hyper Soft Sünger
- 4 Interlining
- 5 Soft Foam
- 6 Comfort Foam
- 7 Edge Support Foam
- 8 1000 Count Pocket Spring
- 9 Termo Felt
- 10 Interlining
- 11 Comfort Foam
- 12 Micro Fiber Filling
- 13 Quilted Fabric

- 100 Cotton
- Quilted Fabric
- Knitted Fabric
- Orthopedic
- One-Sided Use
- 4 Season Use
- Hyper Foam
- Pocket Spring System
- Roll Pack

NEW
COLLECTION



Valeria

Named after the elegance and strength it embodies, Valeria creates a striking silhouette in the bedroom with its gracefully elevated headboard design.

Its soft upholstered surface and contemporary design language bring together exceptional comfort and refined aesthetics.

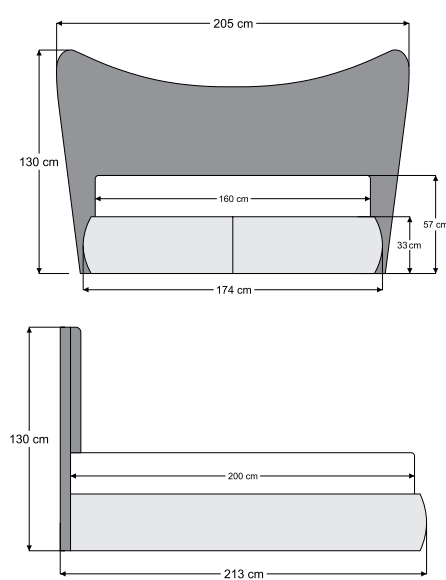
With its distinctive form and eye-catching presence, Valeria introduces a bold sense of style, creating a sophisticated focal point in modern living spaces.



Valeria

BASE & HEADBOARD

- Durable steel frame construction resistant to rust and corrosion.
- Silent slatted base mechanism designed to enhance durability and prevent noise.
- Fabric-covered handles designed for an elegant look and comfortable grip.
- Spacious storage compartment extending across the full bed width.
- Safety-enhanced gas lift and scissor mechanism reinforced with security locks for added protection.
- Ventilation capsules that help prevent moisture and odor formation.
- 5 cm deep anti-slip mattress retainer system to keep the mattress securely in place.
- Durable metal legs designed for easier floor cleaning.
- High, ergonomically designed headboard with a contemporary silhouette.



Set Includes: VALERIA SET / Valeria Base, Valeria Headboard, Signature Mattress.

SIGNATURE MATTRESS

Designed with natural cotton fibers and an advanced pocket spring system, Signature is developed to deliver balanced comfort throughout all four seasons. The cotton fiber layers create a fresh and breathable sleep environment, while the multi-layer foam structure provides a soft touch and balanced body support for enhanced sleeping comfort.



5
Years
Warranty

↑ 29
cm

HYPER FOAM

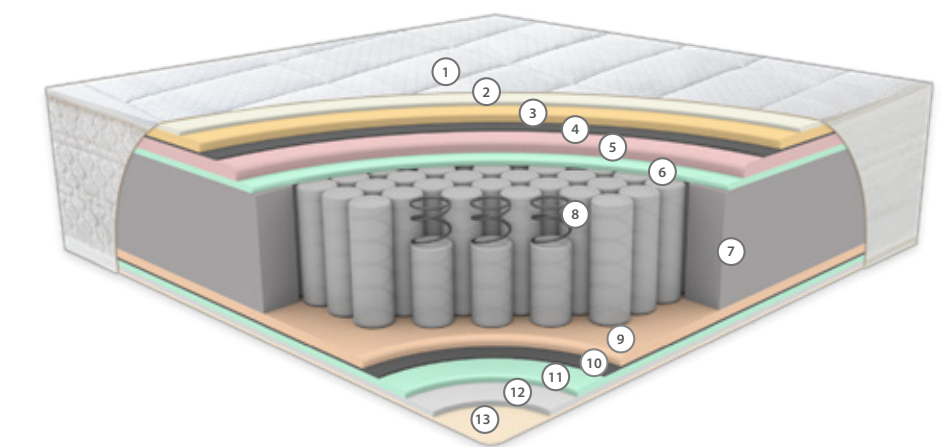
Hyper Foam is a specially developed material with an ultra-soft and flexible structure. It creates a gentle touch sensation during body contact with the mattress. Used in the quilting layer, Hyper Foam provides a soft and smooth surface feel for enhanced comfort.



POCKET SPRING SYSTEM

The pocket spring system is an innovative design in which each spring is individually encased in its own fabric pocket. This independent structure provides tailored support for every part of the body, ensuring excellent body adaptation. Pocket springs minimize motion transfer for a peaceful sleep experience and superior comfort.

Mattress Firmness Chart	H1	H2	H3	H4
	Soft	Medium	Hard	Ultra Hard
60 - 80 kg				
80 - 100 kg				
100 - 120 kg				
120 - 150 kg				



- 1 Quilted Fabric
- 2 Cotton Fiber
- 3 Hyper Soft Foam
- 4 Interlining
- 5 Soft Foam
- 6 Soft Foam
- 7 Edge Support Foam
- 8 1000 Count Pocket Spring
- 9 Termo Felt
- 10 Interlining
- 11 Soft Foam
- 12 Micro Fiber Filling
- 13 Quilted Fabric

- Plush Fabric
- Quilted Fabric
- Knitted Fabric
- Orthopedic
- One-Sided Use
- 4 Season Use
- Hyper Foam
- Pocket Spring System
- Roll Pack

90x190 90x200 100x200 120x200 140x190 140x200 150x200 160x200 180x200 200x200

NEW
COLLECTION

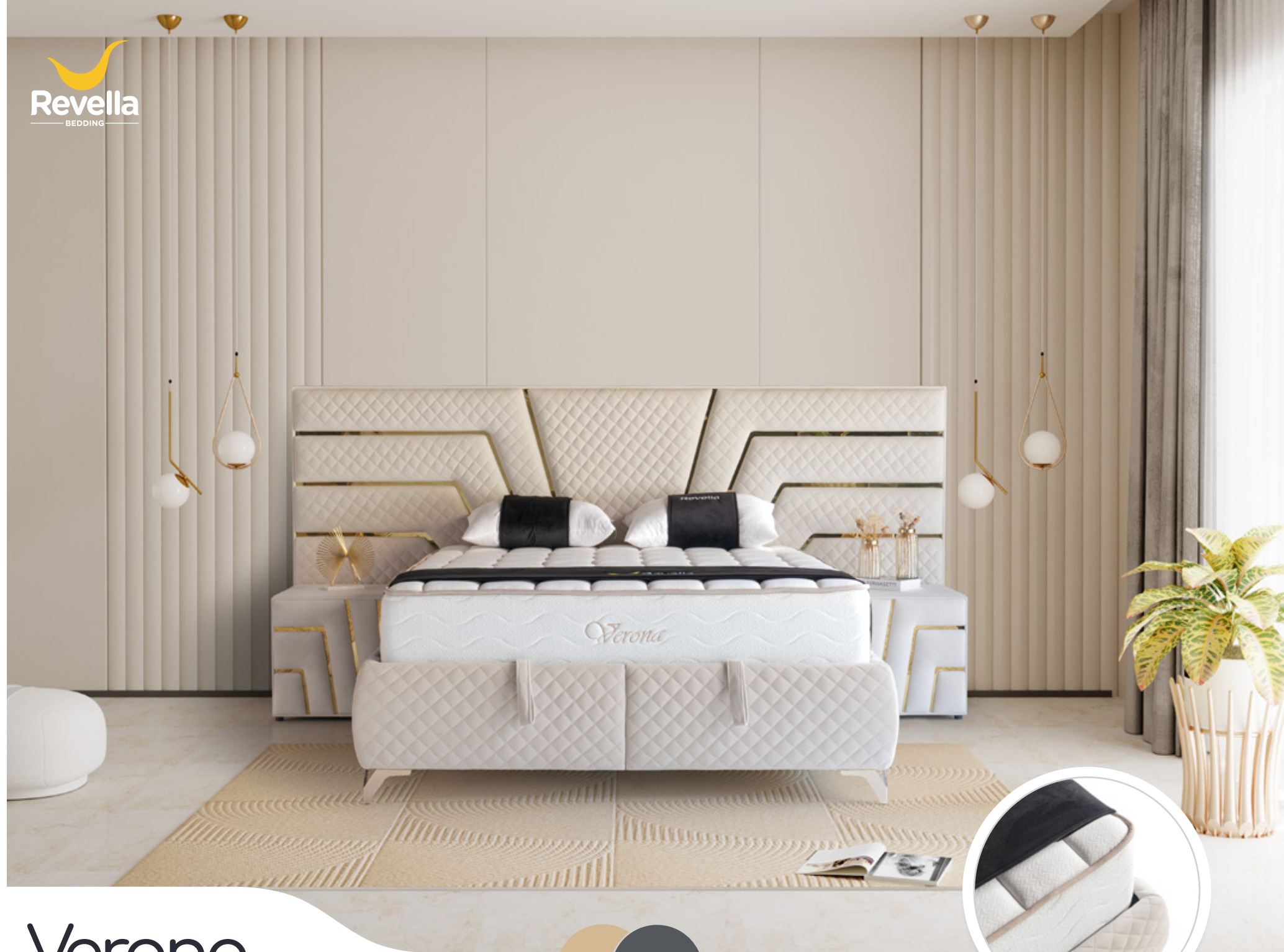


Verona

Inspired by the elegant architecture and refined urban character of Italy, Verona brings a sophisticated presence to the bedroom with its distinctive design language. Decorative panel upholstery, graceful quilted details, and gold-finished metal accents combine to add a contemporary touch of luxury.

The coordinated design of the headboard and nightstand creates seamless visual harmony, while metal legs and an opening-storage nightstand enhance everyday functionality.

With its balanced proportions and refined details, Verona creates a luxurious and elegant atmosphere in modern living spaces.



Verona

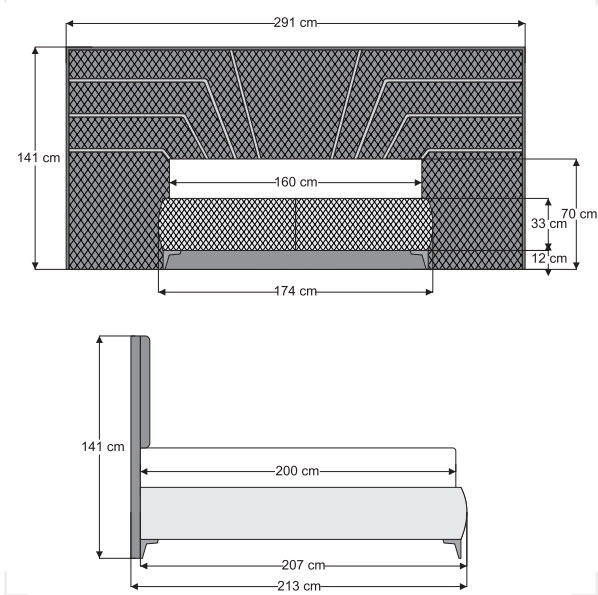
Beige

Gray

2 Different Color Options

BED BASE & HEADBOARD

- Rust-resistant steel internal frame construction.
- Noise-reducing sliding mechanism integrated into the base structure for enhanced durability.
- Fabric-covered handles designed for an elegant look and comfortable grip.
- Spacious storage compartment extending across the full bed width.
- Reinforced gas lifts and safety-lock mechanisms for enhanced protection for you and your children.
- Ventilation capsules designed to help prevent moisture and odors.
- 5 cm recessed mattress-retaining frame to prevent mattress movement.
- Durable metal legs that simplify floor cleaning.
- Exclusive panel-upholstery detailing applied across the headboard and nightstand for a unified design aesthetic.
- Decorative gold-finished stainless steel accents that complete the overall design.



SET CONTENT: VERONA SET / Verona Bed Base, Verona Headboard, Verona Mattress, Verona Nightstand.

VERONA MATTRESS

Designed to combine elegance and balanced comfort with modern sleep technologies, Verona delivers a refined sleeping experience. Hyper Soft Foam layers create a silky-soft feel, while the 1000 Count Pocket Spring System evenly distributes body weight to help reduce pressure points. Multiple comfort layers and breathable materials promote a fresh and uninterrupted sleep environment throughout the night. Reinforced edge support enhances stability across the entire mattress surface, ensuring long-lasting durability, comfort, and performance.



5
Years
Warranty

↑ 30
cm

- Quilted Fabric
- Knitted Fabric
- Orthopedic
- One-Sided Use
- 4 Season Use
- Hyper Foam
- Pocket Spring System

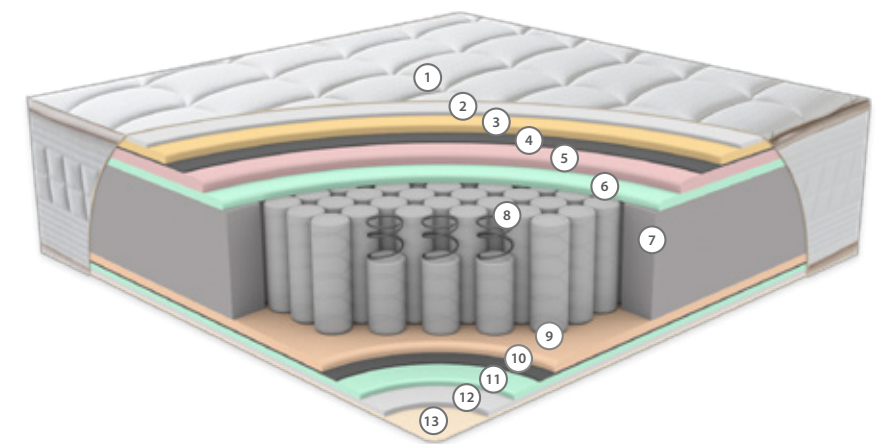
HYPER SOFT FOAM

Hyper Soft Foam is a specially developed foam with an exceptionally soft and flexible structure. It provides a gentle first-touch sensation when the body comes into contact with the mattress. Used in the quilting layer, Hyper Soft Foam delivers a soft and luxurious surface feel.



POCKET SPRING SYSTEM

The Pocket Spring System features individually wrapped springs enclosed in fabric pockets. This innovative structure provides tailored support to every part of the body for exceptional comfort and alignment. By minimizing motion transfer, it helps create a peaceful and undisturbed sleep experience.



- 1 Quilted Fabric
- 2 Micro Fiber Filling
- 3 Hyper Soft Sünger
- 4 Interlining
- 5 Soft Foam
- 6 Comfort Foam
- 7 Edge Support Foam
- 8 1000 Count Pocket Spring
- 9 Termo Felt
- 10 Interlining
- 11 Comfort Foam
- 12 Micro Fiber Filling
- 13 Quilted Fabric

Mattress Firmness Chart	H1	H2	H3	H4
	Soft	Medium	Hard	Ultra Hard
60 - 80 kg				
80 - 100 kg				
100 - 120 kg				
120 - 150 kg				

90x190 90x200 100x200 120x200 140x190 140x200 150x200 160x200 180x200 200x200

NEW
COLLECTION



Special Mod

Blending the elegance of classic design with modern comfort, Special Mod brings timeless sophistication to the bedroom.

Carefully crafted wooden accents, a Chester-style upholstered headboard, and its commanding presence add a distinctive character to the space.

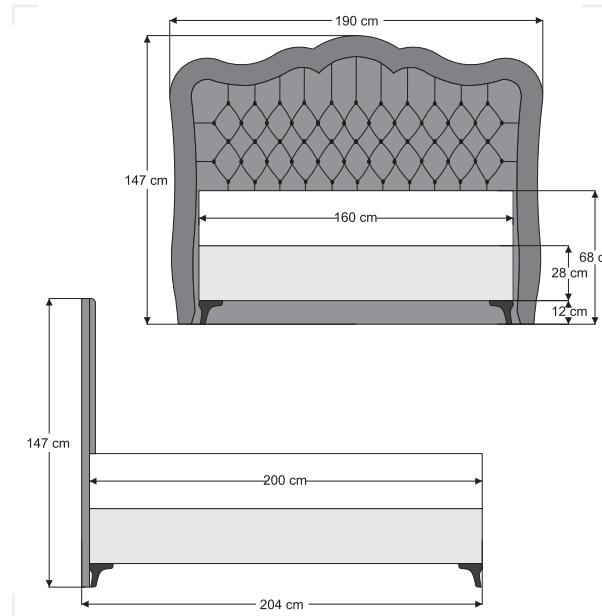
Inspired by traditional furniture aesthetics, this design combines comfort and prestige in perfect harmony, offering refinement and functionality in every detail.



Special Mod

BASE & HEADBOARD

- Elegant wooden headboard design with Chester-style upholstery.
- Rust-resistant and corrosion-free steel internal frame construction.
- Noise-reducing sliding mechanism integrated into the base support structure for enhanced durability.
- Fabric-covered metal handles with an ergonomic and stylish grip.
- Spacious storage compartment integrated into the bed base.
- Reinforced gas lifts and scissor mechanisms with safety locks for enhanced user protection.
- Ventilation capsules that help prevent moisture and odor buildup.
- Special upholstery system that helps keep the mattress securely in place.
- Durable solid wood legs designed for long-lasting performance and easy floor cleaning.
- Natural wooden frame details that perfectly complement the classic design.



SPECIAL MOD MATTRESS

Designed with a 2000 Count Pocket Spring System, natural latex, and a multi-layer comfort structure, Special Mod adapts instantly to the body to provide balanced support and superior comfort. Its breathable natural materials and flexible structure create an ideal sleep climate for every season. Combining a soft touch with a durable inner construction, it brings together comfort and long-lasting performance.



5
Years
Warranty

32
cm

LATEX

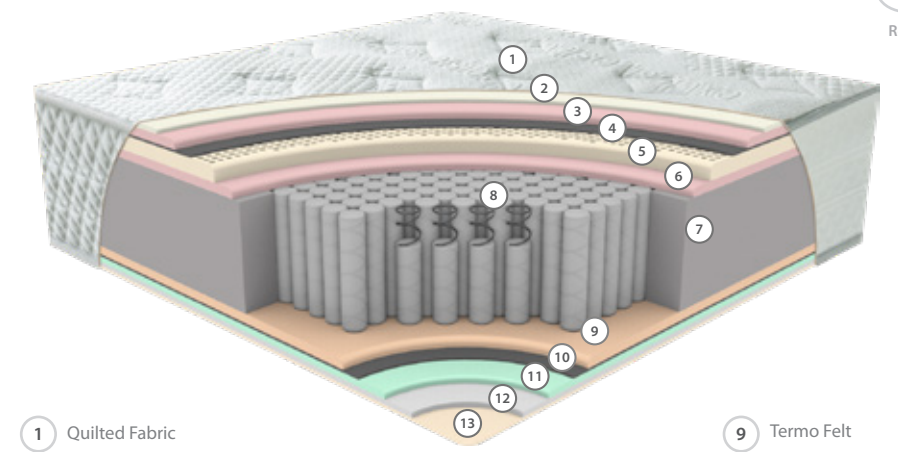
Latex is a natural and durable material derived from the rubber tree. It provides excellent body support, distributes pressure evenly, and offers a cooler sleep experience thanks to its breathable structure. Its hypoallergenic properties help protect against allergens while creating a healthy and long-lasting sleep environment.



2000 COUNT POCKET SPRING SYSTEM

The 2000 Count Pocket Spring System is a mattress technology in which each spring is individually encased within fabric pockets. This system distributes body weight evenly to support spinal alignment while also providing motion isolation, preventing movement from disturbing the other sleeper and enhancing sleep comfort.

Mattress Firmness Chart	H1	H2	H3	H4
	Soft	Medium	Hard	Ultra Hard
60 - 80 kg				
80 - 100 kg				
100 - 120 kg				
120 - 150 kg				



- 1 Quilted Fabric
- 2 Cotton Fiber
- 3 Soft Foam
- 4 Interlining
- 5 Latex
- 6 Soft Foam
- 7 Edge Support Foam
- 8 2000 Count Pocket Spring
- 9 Termo Felt
- 10 Interlining
- 11 Comfort Foam
- 12 Micro Fiber Filling
- 13 Quilted Fabric

- Latex
- Quilted Fabric
- Knitted Fabric
- 2000 Count Pocket Spring System
- Orthopedic
- One-Sided Use
- Comfort Foam
- 4 Season Use
- Hyper Foam
- Roll Pack

NEW COLLECTION

Signature

Blending timeless design with classic craftsmanship, Signature is a distinguished collection that brings elegance and character to the bedroom. Its grand headboard, enriched with deep Chester-style upholstery details, creates a bold and majestic atmosphere, while natural wood nightstands and refined wooden legs complete its classic charm.

Inspired by the aristocratic bedrooms of the past, this exclusive design carries the artistry of traditional furniture into modern living spaces, reflecting prestige and sophistication in every detail.

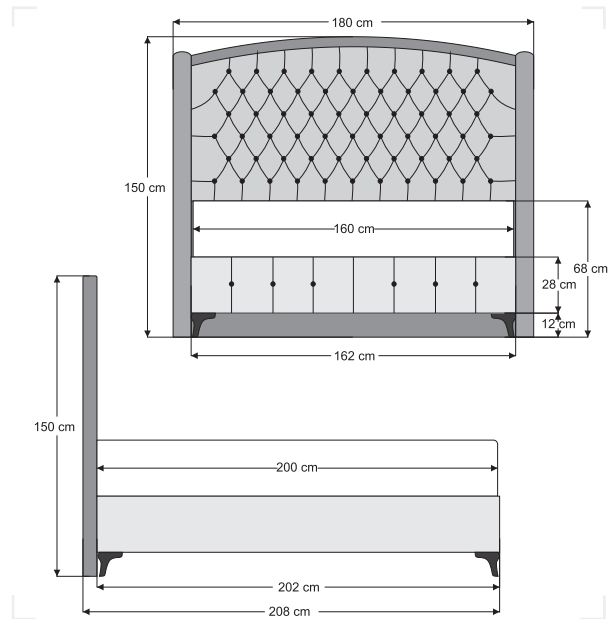
With its commanding presence, balanced proportions, and meticulous craftsmanship, Signature becomes more than just a bed—it transforms the bedroom into a centerpiece where history, elegance, and refined aesthetics come together.



Signature

BASE & HEADBOARD

- Elegant wooden headboard design with Chester-style upholstery.
- Rust-resistant and corrosion-free steel internal frame construction.
- Noise-reducing sliding mechanism integrated into the base support structure for enhanced durability.
- Fabric-covered metal handles with an ergonomic and stylish grip.
- Spacious storage compartment integrated into the bed base.
- Reinforced gas lifts and scissor mechanisms with safety locks for enhanced user protection.
- Ventilation capsules that help prevent moisture and odor buildup.
- Special upholstery system that helps keep the mattress securely in place.
- Durable solid wood legs designed for long-lasting performance and easy floor cleaning.
- Natural wooden frame details that perfectly complement the classic design.



Set Includes: SPECIAL MOD SET / Special Mod Base, Special Mod Headboard, Special Mod Mattress, Special Mod Bench.

SIGNATURE MATTRESS

Designed with natural cotton fibers and an advanced pocket spring system, Signature is developed to deliver balanced comfort throughout all four seasons. The cotton fiber layers create a fresh and breathable sleep environment, while the multi-layer foam structure provides a soft touch and balanced body support for enhanced sleeping comfort.



5
Years
Warranty

29
cm

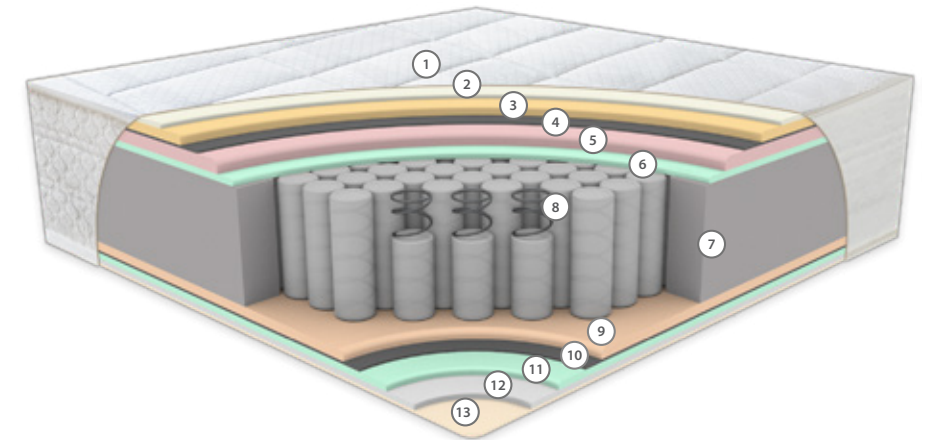
HYPER FOAM

Hyper Foam is a specially developed material with an ultra-soft and flexible structure. It creates a gentle touch sensation during body contact with the mattress. Used in the quilting layer, Hyper Foam provides a soft and smooth surface feel for enhanced comfort.



POCKET SPRING SYSTEM

The pocket spring system is an innovative design in which each spring is individually encased in its own fabric pocket. This independent structure provides tailored support for every part of the body, ensuring excellent body adaptation. Pocket springs minimize motion transfer for a peaceful sleep experience and superior comfort.



Mattress Firmness Chart	H1	H2	H3	H4
	Soft	Medium	Hard	Ultra Hard
60 - 80 kg				
80 - 100 kg				
100 - 120 kg				
120 - 150 kg				

- 1 Quilted Fabric
- 2 Cotton Fiber
- 3 Hyper Soft Foam
- 4 Interlining
- 5 Soft Foam
- 6 Soft Foam
- 7 Edge Support Foam
- 8 1000 Count Pocket Spring
- 9 Termo Felt
- 10 Interlining
- 11 Soft Foam
- 12 Micro Fiber Filling
- 13 Quilted Fabric

90x190 90x200 100x200 120x200 140x190 140x200 150x200 160x200 180x200 200x200

- Plush Fabric
- Quilted Fabric
- Knitted Fabric
- Orthopedic
- One-Sided Use
- 4 Season Use
- Hyper Foam
- Pocket Spring System
- Roll Pack



How to Fall Asleep More Easily?

The foods you eat before bedtime, especially sugary foods and carbohydrates, can cause fluctuations in blood sugar levels. These changes may make it harder to fall asleep and can also lead to interrupted sleep. According to experts, sugar intake should be avoided at least two hours before bedtime, including fruit.

NEW COLLECTION



Elegance Collection

Silent Elegance with a
Stylish Design

NEW
COLLECTION



Oslo

Blending modern design with soft contours, Oslo brings a warm and balanced atmosphere to the bedroom. Its rounded headboard and matching cylindrical nightstand create a harmonious visual flow, highlighting the elegance of smooth lines over sharp edges.

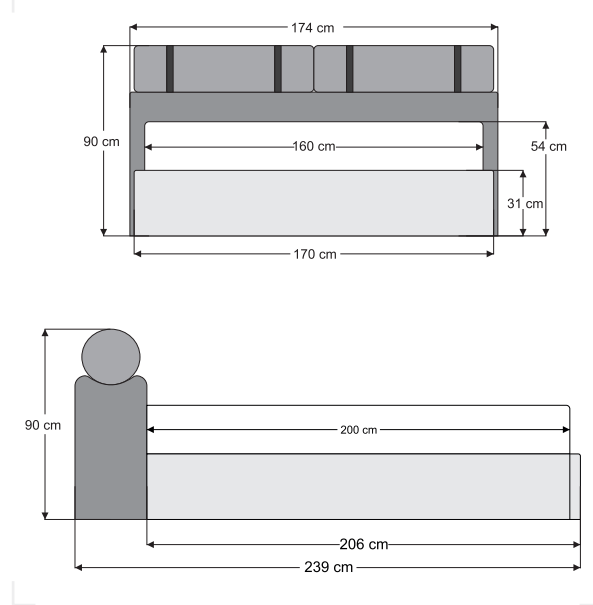
Designed to sit directly on the floor with a distinctive low-profile structure, Oslo combines simplicity with a strong visual presence, adding a unique and contemporary character to modern living spaces.



Oslo

BASE & HEADBOARD

- Rust-resistant and corrosion-free steel internal frame construction.
- Noise-reducing sliding mechanism integrated into the base support structure for enhanced durability.
- Ergonomic plastic handles for easy lifting and access.
- Spacious storage compartment integrated into the bed base.
- Reinforced gas lifts and scissor mechanisms with safety locks for enhanced user protection.
- Ventilation capsules that help reduce moisture and odor buildup.
- Special upholstery system that helps keep the mattress securely in place.
- User-friendly opening mechanism for practical daily use.
- Powerful gas lift system ensures smooth, balanced, and safe opening and closing.
- Easy-access structure allows convenient mattress lifting and seasonal maintenance.
- Durable mechanism system designed for long-lasting performance.
- Low-profile floor-level base design with a modern aesthetic.
- Specially engineered packaging system minimizes shipping volume while maximizing storage and transport efficiency.
- Rounded headboard and cylindrical nightstand create a distinctive and harmonious design language.



SIENNA MATTRESS

Designed for optimal support and comfort, the Sienna Mattress combines an advanced pocket spring system with high-performance hyper foam technology. The pocket springs provide targeted support across different body zones, while the hyper foam layer enhances comfort with a soft, adaptive feel. This balanced construction delivers superior sleep quality and a deeply restful experience.



3
Years
Warranty

26
cm

- Quilted Fabric
- Knitted Fabric
- Orthopedic
- One-Sided Use
- 4 Season Use
- Pocket Spring System
- Roll Pack

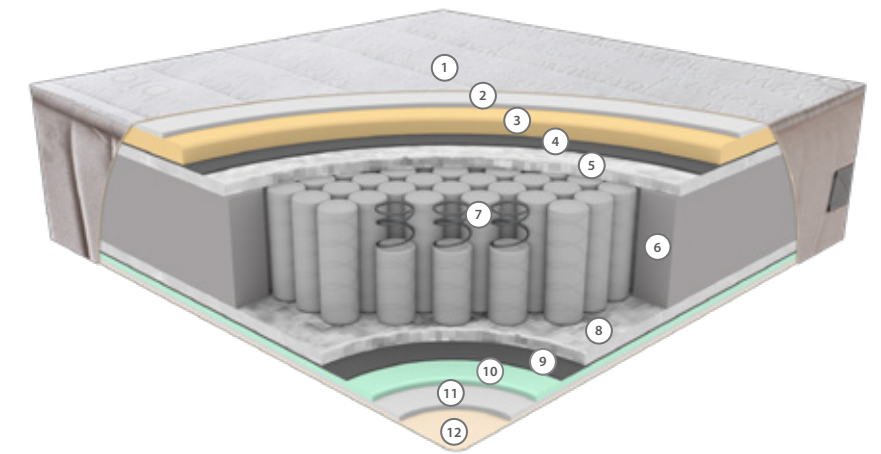
ORTHOPEDIC

Experience unmatched support and comfort with an orthopedic mattress designed to align your spine and reduce pressure points. Ideal for those experiencing back or joint discomfort, it promotes healthy posture and enhances overall sleep quality.



POCKET SPRING SYSTEM

The pocket spring system is an innovative design where each spring is individually encased in its own fabric pocket. This independent structure provides tailored support to every part of the body, ensuring optimal alignment. By minimizing motion transfer, it delivers a peaceful and undisturbed sleep experience with superior comfort.



Mattress Firmness Chart	H1	H2	H3	H4
	Soft	Medium	Hard	Ultra Hard
60 - 80 kg				
80 - 100 kg				
100 - 120 kg				
120 - 150 kg				

- 1 Quilted Fabric
- 2 Micro Fiber Filling
- 3 Hyper Soft Foam
- 4 Interlining
- 5 Milform
- 6 Edge Support Foam
- 7 1000 Count Pocket Spring
- 8 Milform
- 9 Interlining
- 10 Comfort Foam
- 11 Micro Fiber Filling
- 12 Quilted Fabric

NEW
COLLECTION

Milano

Reflecting the understated strength of modern design, Milano brings a calm and refined aesthetic to the bedroom through its minimalist lines and balanced proportions. Its clean headboard surface and soft contours create a striking look, proving that true elegance often lies in simplicity.

Large, solid wood legs add a natural touch while reinforcing the model's strong character and distinctive presence.

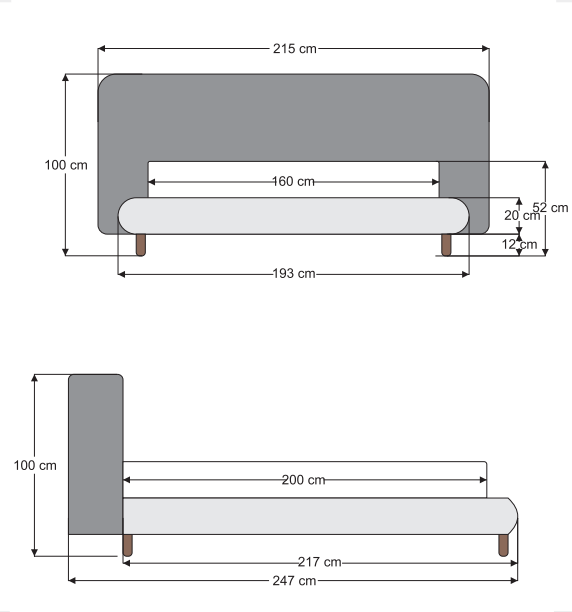
Inspired by minimalist design principles, Milano is crafted for contemporary living spaces where simplicity and sophistication come together in perfect harmony.



Milano

BASE & HEADBOARD

- Rust-resistant and corrosion-free steel-reinforced internal frame construction.
- Designed to complement modern living spaces with its minimalist and balanced aesthetic.
- Wide headboard enriched with patterned fabric upholstery.
- Soft curved body form creates a simple and elegant appearance.
- Solid wood legs that combine durability with refined aesthetics.
- Elevated design allows easy floor cleaning underneath the bed.
- Durable frame structure ensures long-lasting performance.
- Custom-made design available in various fabric and color options.



Set Includes: MILANO SET / Milano Bed Frame, Milano Headboard, Silent Night Mattress.

SPECIAL MOD MATTRESS

Designed with a 2000 Count Pocket Spring System, natural latex, and a multi-layer comfort structure, Special Mod adapts instantly to the body to provide balanced support and superior comfort. Its breathable natural materials and flexible structure create an ideal sleep climate for every season. Combining a soft touch with a durable inner construction, it brings together comfort and long-lasting performance.



5
Years
Warranty

↑ 32
cm

LATEX

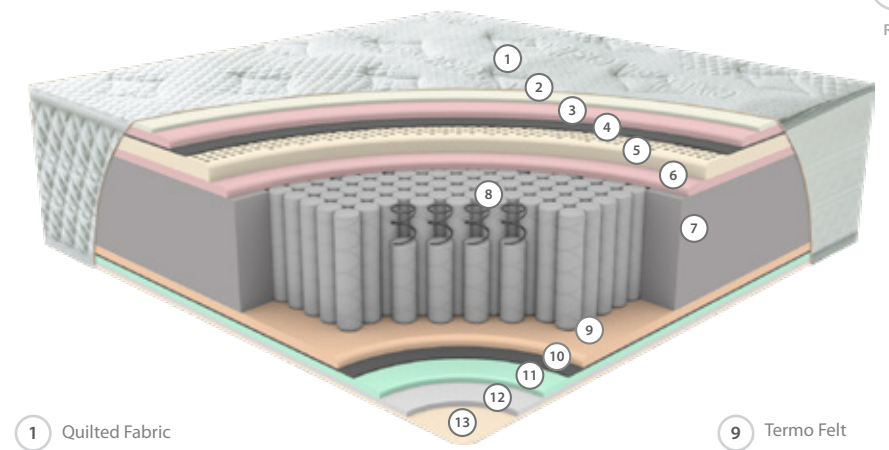
Latex is a natural and durable material derived from the rubber tree. It provides excellent body support, distributes pressure evenly, and offers a cooler sleep experience thanks to its breathable structure. Its hypoallergenic properties help protect against allergens while creating a healthy and long-lasting sleep environment.



2000 COUNT POCKET SPRING SYSTEM

The 2000 Count Pocket Spring System is a mattress technology in which each spring is individually encased within fabric pockets. This system distributes body weight evenly to support spinal alignment while also providing motion isolation, preventing movement from disturbing the other sleeper and enhancing sleep comfort.

Mattress Firmness Chart	H1	H2	H3	H4
	Soft	Medium	Hard	Ultra Hard
60 - 80 kg				
80 - 100 kg				
100 - 120 kg				
120 - 150 kg				



- 1 Quilted Fabric
- 2 Cotton Fiber
- 3 Soft Foam
- 4 Interlining
- 5 Latex
- 6 Soft Foam
- 7 Edge Support Foam
- 8 2000 Count Pocket Spring
- 9 Termo Felt
- 10 Interlining
- 11 Comfo Foam
- 12 Micro Fiber Filling
- 13 Quilted Fabric

- Latex
- Quilted Fabric
- Knitted Fabric
- 2000 Count Pocket Spring System
- Orthopedic
- One-Sided Use
- Comfort Foam
- 4 Season Use
- Hyper Foam
- Roll Pack

90x190 90x200 100x200 120x200 140x190 140x200 150x200 160x200 180x200 200x200

NEW
COLLECTION



Seossa

Reflecting the bold presence of modern design, Seossa brings a distinctive character to the bedroom with its generously upholstered body and floor-level structure. Its wide silhouette, shaped with soft contours, creates a balanced and confident appearance, while its clean design language delivers a timeless sense of elegance.

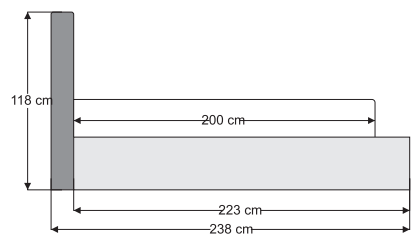
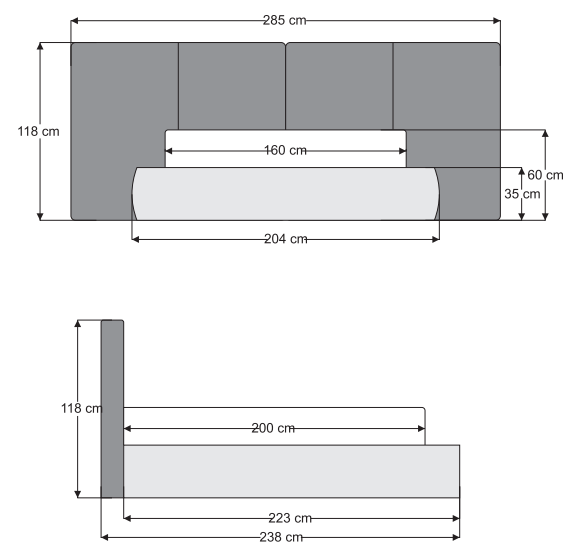
Combining comfort and aesthetics in perfect harmony, Seossa represents a sophisticated approach to modern living, offering a strong visual statement with refined simplicity.



Seossa

BASE & HEADBOARD

- Rust-resistant and corrosion-free steel internal frame construction.
- Noise-reducing sliding mechanism integrated into the base support structure for enhanced durability.
- Fabric-covered handles with an ergonomic and stylish grip.
- Spacious storage compartment integrated into the bed base.
- Reinforced gas lifts and scissor mechanisms with safety locks for enhanced user protection.
- Ventilation capsules that help reduce moisture and odor buildup.
- Special upholstery system that helps keep the mattress securely in place.
- Generously upholstered body design with a bold and contemporary appearance.
- Integrated bench-style front section combines aesthetics with practical functionality.



Set Includes: SEOSSA SET / Seossa Base, Seossa Headboard, Signature Mattress, Seossa Nightstand.

SIGNATURE MATTRESS

Designed with natural cotton fibers and an advanced pocket spring system, Signature is developed to deliver balanced comfort throughout all four seasons. The cotton fiber layers create a fresh and breathable sleep environment, while the multi-layer foam structure provides a soft touch and balanced body support for enhanced sleeping comfort.



5
Years
Warranty

29
cm

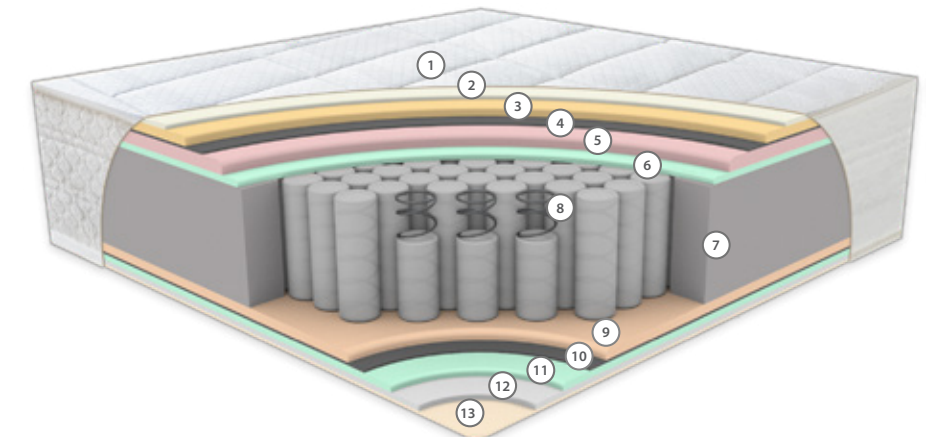
HYPER FOAM

Hyper Foam is a specially developed material with an ultra-soft and flexible structure. It creates a gentle touch sensation during body contact with the mattress. Used in the quilting layer, Hyper Foam provides a soft and smooth surface feel for enhanced comfort.



POCKET SPRING SYSTEM

The pocket spring system is an innovative design in which each spring is individually encased in its own fabric pocket. This independent structure provides tailored support for every part of the body, ensuring excellent body adaptation. Pocket springs minimize motion transfer for a peaceful sleep experience and superior comfort.



Mattress Firmness Chart	H1	H2	H3	H4
	Soft	Medium	Hard	Ultra Hard
60 - 80 kg				
80 - 100 kg				
100 - 120 kg				
120 - 150 kg				

- 1 Quilted Fabric
- 2 Cotton Fiber
- 3 Hyper Soft Foam
- 4 Interlining
- 5 Soft Foam
- 6 Soft Foam
- 7 Edge Support Foam
- 8 1000 Count Pocket Spring
- 9 Termo Felt
- 10 Interlining
- 11 Soft Foam
- 12 Micro Fiber Filling
- 13 Quilted Fabric

90x190 90x200 100x200 120x200 140x190 140x200 150x200 160x200 180x200 200x200

- Plush Fabric
- Quilted Fabric
- Knitted Fabric
- Orthopedic
- One-Sided Use
- 4 Season Use
- Hyper Foam
- Pocket Spring System
- Roll Pack

NEW
COLLECTION

Osaka

Blending Japanese simplicity with Italian design sophistication, Osaka brings a refined and balanced character to modern bedrooms. Its rounded, flowing headboard lines create a soft and welcoming aesthetic, while natural wood accents at the base add warmth, strength, and timeless appeal.

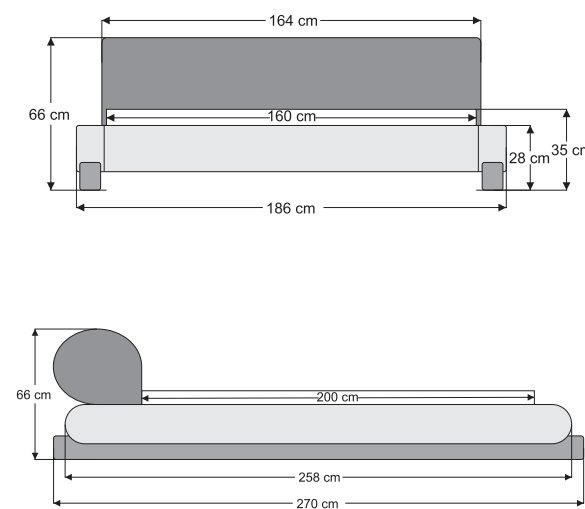
With its minimalist proportions and harmonious design language, Osaka delivers understated elegance, creating a simple yet striking presence in contemporary living spaces.



Osaka

BAZA & HEADBOARD

- Durable frame structure reinforced with a high-strength wooden support system.
- Modern and soft appearance with a rounded, wide headboard design.
- Natural wood accents at the base add warmth, character, and visual appeal.
- Long-lasting construction engineered for years of reliable use.
- Solid wooden legs provide stability and balanced floor contact.
- Minimalist and distinctive design that complements modern bedroom interiors.



Set Includes: OSAKA SET / Osaka Bed Frame, Osaka Headboard, Special Mod Mattress.

SPECIAL MOD MATTRESS

Designed with a 2000 Count Pocket Spring System, natural latex, and a multi-layer comfort structure, Special Mod adapts instantly to the body to provide balanced support and superior comfort. Its breathable natural materials and flexible structure create an ideal sleep climate for every season. Combining a soft touch with a durable inner construction, it brings together comfort and long-lasting performance.



5
Years Warranty

32 cm

LATEX

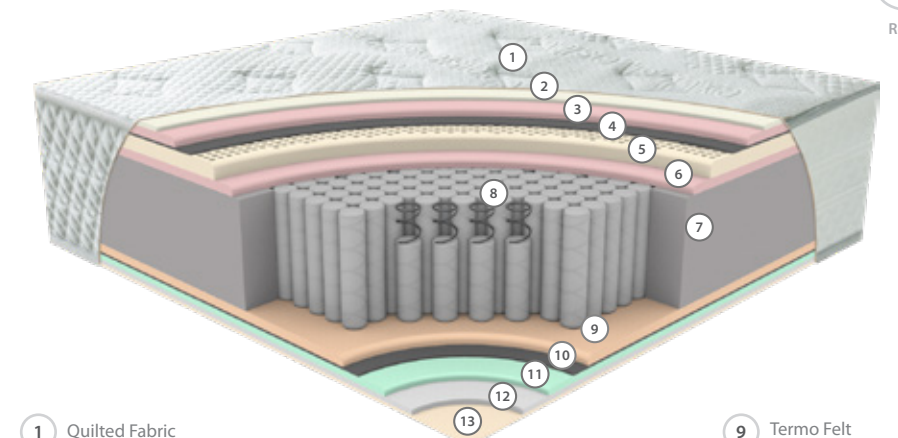
Latex is a natural and durable material derived from the rubber tree. It provides excellent body support, distributes pressure evenly, and offers a cooler sleep experience thanks to its breathable structure. Its hypoallergenic properties help protect against allergens while creating a healthy and long-lasting sleep environment.



2000 COUNT POCKET SPRING SYSTEM

The 2000 Count Pocket Spring System is a mattress technology in which each spring is individually encased within fabric pockets. This system distributes body weight evenly to support spinal alignment while also providing motion isolation, preventing movement from disturbing the other sleeper and enhancing sleep comfort.

Mattress Firmness Chart	H1	H2	H3	H4
	Soft	Medium	Hard	Ultra Hard
60 - 80 kg				
80 - 100 kg				
100 - 120 kg				
120 - 150 kg				



- 1 Quilted Fabric
- 2 Cotton Fiber
- 3 Soft Foam
- 4 Interlining
- 5 Latex
- 6 Soft Foam
- 7 Edge Support Foam
- 8 2000 Count Pocket Spring
- 9 Termo Felt
- 10 Interlining
- 11 Comfort Foam
- 12 Micro Fiber Filling
- 13 Quilted Fabric

- Latex
- Quilted Fabric
- Knitted Fabric
- 2000 Count Pocket Spring System
- Orthopedic
- One-Sided Use
- Comfort Foam
- 4 Season Use
- Hyper Foam
- Roll Pack

90x190 90x200 100x200 120x200 140x190 140x200 150x200 160x200 180x200 200x200

NEW
COLLECTION



Imagine Box

Combining elegance born from simplicity with advanced sleep technology, Imagine Box brings together refined design and innovative engineering. Its double-layer pocket spring system adapts naturally to the body's contours, delivering balanced support and enhanced comfort. The multi-layer comfort structure evenly distributes pressure, creating a restful and uninterrupted sleep experience.

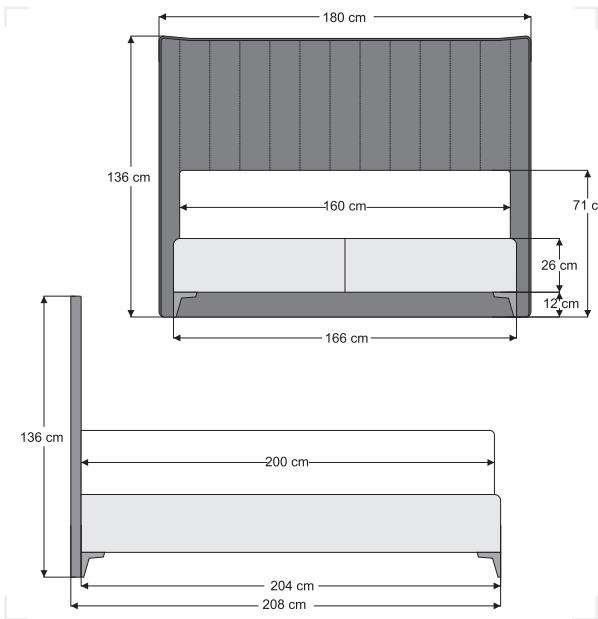
With its modern aesthetics and robust construction, Imagine Box adds a sophisticated touch to bedrooms while offering exceptional comfort and support.



Imagine Box

BASE & HEADBOARD

- Robust box spring base system reinforced with pocket spring support.
- Durable internal structure designed to distribute body weight evenly across the surface.
- Breathable upholstery construction that promotes continuous airflow.
- Modern and elegant headboard design for a refined appearance.
- Stable and durable base structure ensuring long-lasting performance.
- Rust- and corrosion-resistant steel inner framework.
- Ventilation capsules that help prevent moisture and odor buildup.
- High-strength legs designed to simplify floor cleaning.



Set Includes: IMAGINE BOX SET / Imagine Box Base, Imagine Box Headboard, Imagine Box Mattress, Custom Topper for Mattress.

IMAGINE BOX MATTRESS

Imagine Box mattress is one of the most distinctive and premium models in the collection, designed with multi-layer comfort technology and superior comfort details. Hyper Soft foam and rich comfort layers provide a soft welcome feel, while the high-density pocket spring system supports the spine perfectly and minimizes motion transfer. Microfiber fillings and breathable knitted fabric help maintain temperature balance, creating a fresh and comfortable sleeping environment throughout the night. Reinforced edge support and a balanced internal structure ensure long-lasting durability, stability, and exceptional comfort.



5
Years
Warranty

36
cm

- Plush Fabric
- Quilted Fabric
- Knitted Fabric
- Orthopedic
- One-Sided Use
- 4 Season Use
- Pocket Spring System

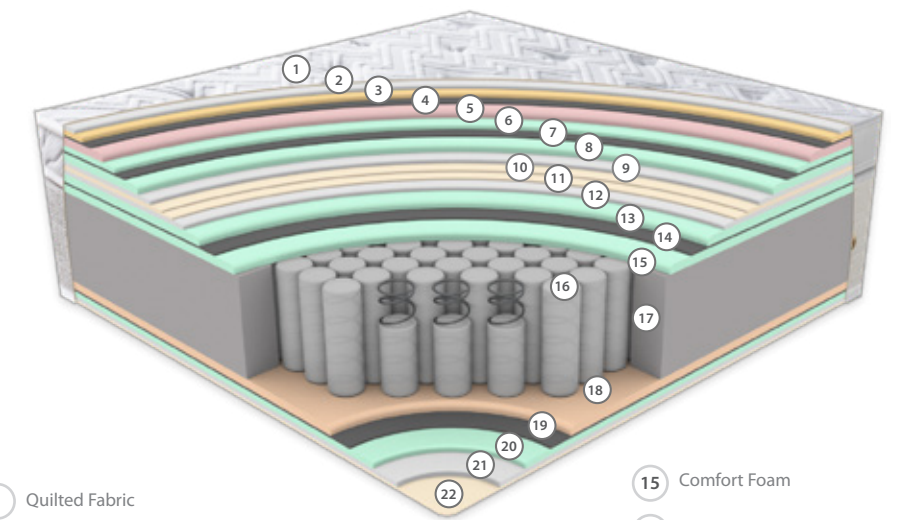
HYPER SOFT FOAM

Very soft and highly flexible in structure. It provides the first point of contact with the body, helping prevent excessive pressure on the skin under body weight. By balancing pressure across the body, it minimizes involuntary turning movements during sleep.



POCKET SPRING SYSTEM

The 1000-count pocket spring system features individually wrapped springs housed in separate fabric pockets. This structure distributes body weight evenly, supports proper spinal alignment, and provides excellent motion isolation, ensuring one person's movements do not disturb the other while minimizing turning movements during sleep.



- 1 Quilted Fabric
- 2 Microfiber Filling
- 3 Hyper Soft Foam
- 4 Interlining
- 5 Soft Foam
- 6 Comfort Foam
- 7 Interlining
- 8 Comfort Foam
- 9 Microfiber Filling
- 10 Quilted Fabric
- 11 Quilted Fabric
- 12 Microfiber Filling
- 13 Comfort Foam
- 14 Interlining
- 15 Comfort Foam
- 16 2000 Count Pocket Spring
- 17 Edge Support Foam
- 18 Termo Felt
- 19 Interlining
- 20 Comfort Foam
- 21 Microfiber Filling
- 22 Quilted Fabric

Mattress Firmness Chart	H1	H2	H3	H4
	Soft	Medium	Hard	Ultra Hard
60 - 80 kg				
80 - 100 kg				
100 - 120 kg				
120 - 150 kg				

90x190 90x200 100x200 120x200 140x190 140x200 150x200 160x200 180x200 200x200

NEW
COLLECTION



Aurelia

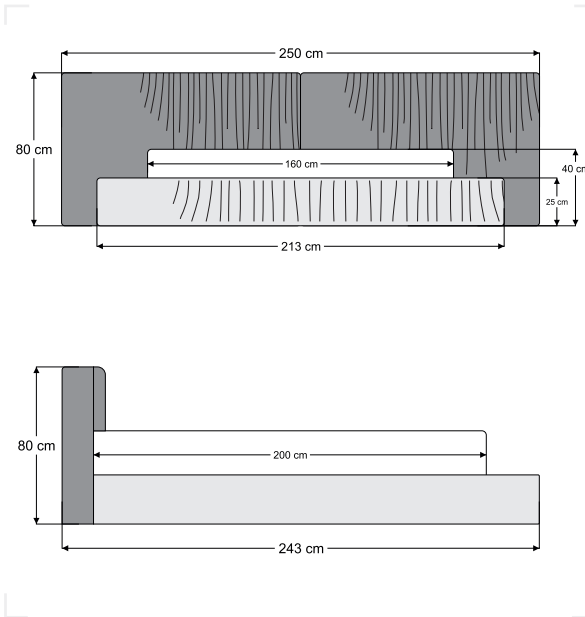
Aurelia stands out with its elegant, flowing form, bringing a modern and sophisticated atmosphere to bedrooms. Draped fabric details and soft contours create a harmonious aesthetic, while its clean design language delivers a balanced and serene appearance. Blending comfort with style, Aurelia adds a refined touch to contemporary living spaces.



Aurelia

BASE & HEADBOARD

- Rust- and corrosion-resistant steel inner framework.
- Silent sliding mechanism mounted on a reinforced base board for enhanced durability.
- Strong and balanced support structure designed for solid slat systems.
- Low-profile bed frame design offering a modern and cohesive appearance.
- Elegant headboard and frame featuring soft draped upholstery details.
- Customizable design available in various fabric and color options.
- Custom-size production options to suit different living spaces.
- Durable outer frame construction ensuring long-lasting performance.



AURELIA MATTRESS

Aurelia combines advanced orthopedic support with multi-layer comfort technologies to deliver balanced support and exceptional comfort. Hyper Soft foam layers provide a gentle, cloud-like feel, while supportive comfort layers enhance durability and help maintain the mattress's shape over time. The 1000-count pocket spring system promotes proper spinal alignment and balanced pressure distribution. Breathable fabrics, microfiber fillings, and reinforced edge support create a stable, fresh, and uninterrupted sleep experience.



5
Years
Warranty

37
cm

- Quilted Fabric
- Knitted Fabric
- Orthopedic
- One-Sided Use
- 4 Season Use
- Hyper Foam
- Pocket Spring System

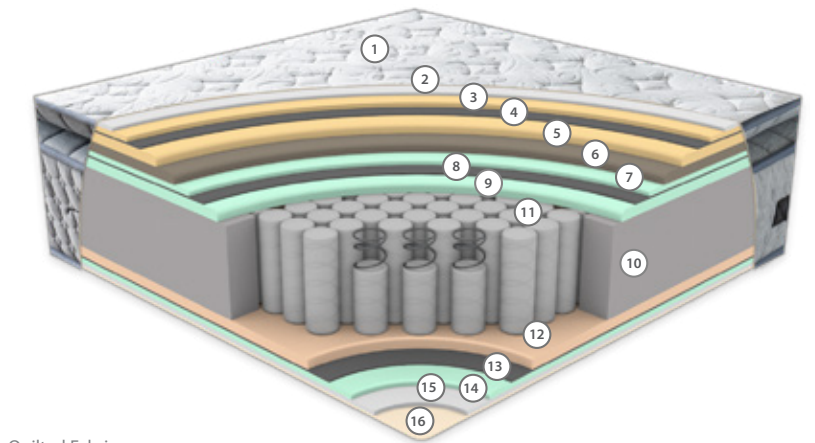
HYPER SOFT FOAM

Very soft and highly flexible in structure. It provides the first point of contact with the body, creating a gentle touch sensation. Hyper Soft foam used in the quilting enhances softness and comfort.



POCKET SPRING SYSTEM

The pocket spring system features individually wrapped springs enclosed in separate fabric pockets. This independent structure provides targeted support for every area of the body, ensuring excellent adaptability, reduced motion transfer, and superior sleeping comfort.



- 1 Quilted Fabric
- 2 Micro Fiber Filling
- 3 Hyper Soft Sünger
- 4 Interlining
- 5 Hyper Soft Sünger
- 6 Rebond Foam
- 7 Comfort Foam
- 8 Quilted Interlining
- 9 Comfort Foam
- 10 Edge Support Foam
- 11 1000 Count Pocket
- 12 Termo Felt
- 13 Interlining
- 14 Comfort Foam
- 15 Micro Fiber Filling
- 16 Quilted Fabric

Mattress Firmness Chart	H1	H2	H3	H4
	Soft	Medium	Hard	Ultra Hard
60 - 80 kg				
80 - 100 kg				
100 - 120 kg				
120 - 150 kg				

90x190 90x200 100x200 120x200 140x190 140x200 150x200 160x200 180x200 200x200

NEW
COLLECTION



Chester

Blending timeless elegance with understated luxury, Chester brings a distinguished presence to the bedroom. Its iconic Chester-style upholstery and refined craftsmanship create a sophisticated look, while carefully tailored details add depth and character to the design.

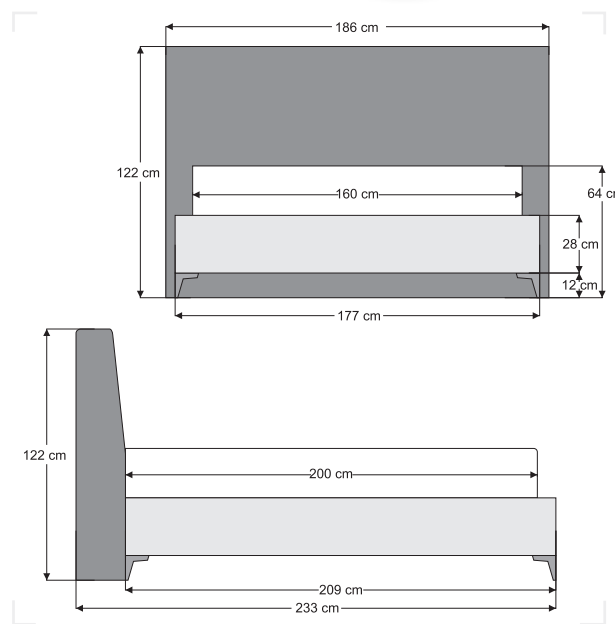
With its graceful silhouette and enduring appeal, Chester offers a perfect balance of comfort, prestige, and classic style for modern living spaces.



Chester

BASE & HEADBOARD

- Rust- and corrosion-resistant steel inner framework.
- Silent sliding mechanism mounted on a reinforced base board for enhanced durability.
- Elegant and easy-grip fabric-covered handles.
- 5 cm deep mattress-retaining frame to prevent mattress movement.
- Spacious storage compartment extending across the full bed width.
- Reinforced gas lifts and scissor mechanisms with safety locks for added protection.
- Ventilation capsules that help prevent moisture and odor buildup.
- High-strength reinforced legs designed to simplify floor cleaning.



Set Includes: CHESTER SET / Chester Base, Chester Headboard, Chester Mattress, Chester Nightstand.

CHESTER MATTRESS

Chester Mattress combines orthopedic support with Hyper Soft foam and pocket spring technology to deliver exceptional comfort and balanced body support. Individually wrapped pocket springs provide targeted support to different body zones, while Hyper Soft foam adds an extra layer of softness. This combination promotes healthy spinal alignment, reduces motion transfer, and ensures a restful night's sleep.



5
Years
Warranty

↑ 27
cm

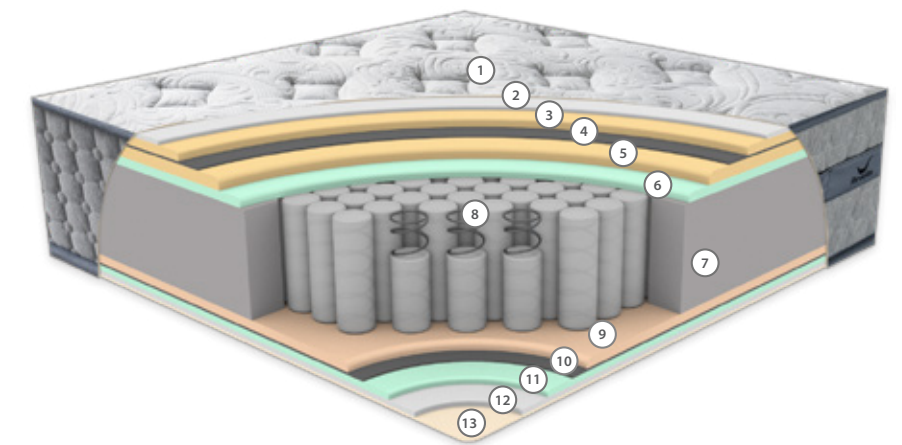
HYPER SOFT FOAM

Hyper Soft foam is an ultra-soft and flexible material that provides a gentle first-contact sensation. Used in the quilting layer, it enhances surface softness and creates a plush, comfortable sleeping experience.



POCKET SPRING SYSTEM

The pocket spring system features individually wrapped springs enclosed in separate fabric pockets. This independent structure delivers targeted support to every part of the body, ensuring excellent adaptability, reduced motion transfer, and superior sleeping comfort.



Mattress Firmness Chart	H1	H2	H3	H4
	Soft	Medium	Hard	Ultra Hard
60 - 80 kg				
80 - 100 kg				
100 - 120 kg				
120 - 150 kg				

- 1 Quilted Fabric
- 2 Micro Fiber Filling
- 3 Hyper Soft Foam
- 4 Interlining
- 5 Hyper Soft Foam
- 6 Comfort Foam
- 7 Edge Support Foam
- 8 1000 Count Pocket Spring
- 9 Termo Felt
- 10 Interlining
- 11 Comfort Foam
- 12 Micro Fiber Filling
- 13 Quilted Fabric

90x190 90x200 100x200 120x200 140x190 140x200 150x200 160x200 180x200 200x200

- Quilted Fabric
- Knitted Fabric
- Orthopedic
- One-Sided Use
- 4 Season Use
- Hyper Foam
- Pocket Spring System
- Roll Pack



Does Quality Sleep Affect Growth Hormone?

The impact of sleep on cognitive development has been discussed for many years. At the same time, quality sleep plays a vital role in physical growth and development. Therefore, it is important for your child to get the maximum benefit from sleep.

NEW COLLECTION



Little Dreamers Collection

Imagination and harmony...

NEW
COLLECTION



Noa

Inspired by the limitless imagination of childhood, Noa is designed as a soft and charming bed for little dreamers. Its cloud-inspired form, flowing lines, and carefully crafted upholstery create a warm, safe, and welcoming atmosphere in children's rooms. With its gentle silhouette and protective

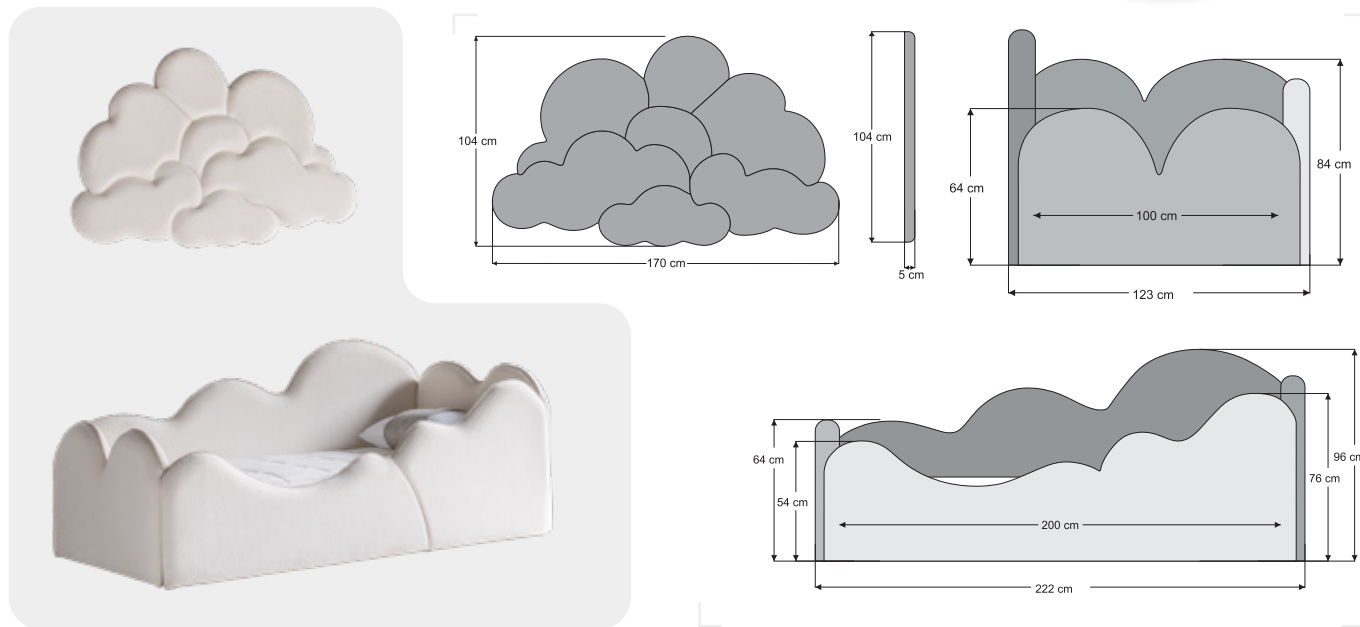
design, Noa provides a comfortable and peaceful sleep space while adding joy and happiness to every room through its playful, storybook-inspired character.



Noa

BASE & HEADBOARD

- Unique and charming design inspired by cloud forms.
- Sturdy bed frame construction with a durable slat support system instead of a storage base.
- Strong plywood structure used throughout the body for enhanced durability.
- Fully upholstered interior and exterior surfaces for a premium finish.
- Surrounding frame design that creates a safe and comfortable sleeping space.
- Optional ambient lighting feature concealed behind the cloud panel.
- Durable construction designed for long-lasting use.



NOA MATTRESS

Noa Mattress combines orthopedic support, pocket spring technology, and Hyper Soft foam to provide exceptional comfort and balanced body support. Individually wrapped pocket springs deliver targeted support to different areas of the body, while Hyper Soft foam enhances softness and relaxation. This combination promotes healthy spinal alignment, reduces motion transfer, and ensures a peaceful and restorative sleep experience.



5
Years
Warranty

↑ 29
cm

ORTHOPEdic

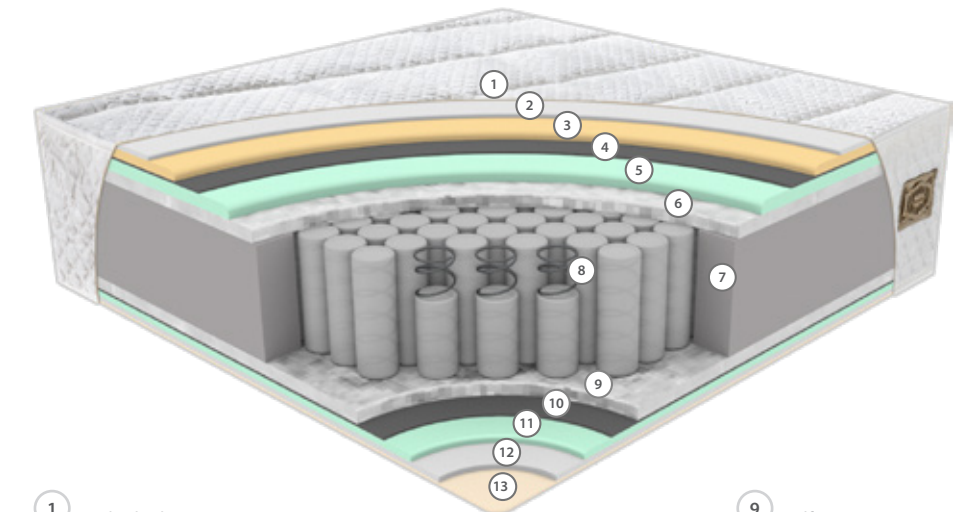
Experience outstanding support and comfort with an orthopedic mattress designed to align the spine and reduce pressure points. Ideal for those experiencing back or joint discomfort, it promotes healthy posture and improves sleep quality.



POCKET SPRING SYSTEM

The pocket spring system features individually wrapped springs enclosed in separate fabric pockets. This independent structure provides targeted support for every area of the body, ensuring excellent adaptability, reduced motion transfer, and superior sleeping comfort.

Mattress Firmness Chart	H1	H2	H3	H4
	Soft	Medium	Hard	Ultra Hard
60 - 80 kg				
80 - 100 kg				
100 - 120 kg				
120 - 150 kg				



- 1 Quilted Fabric
- 2 Micro Fiber Filling
- 3 Hyper Soft Foam
- 4 Interlining
- 5 Comfort Foam
- 6 Milform
- 7 Edge Support Foam
- 8 1000 Count Pocket Spring
- 9 Milform
- 10 Interlining
- 11 Comfort Foam
- 12 Micro Fiber Filling
- 13 Quilted Fabric

- Plush Fabric
- Quilted Fabric
- Knitted Fabric
- Orthopedic
- One-Sided Use
- 4 Season Use
- Pocket Spring System

NEW
COLLECTION



Butterfly

Inspired by the world of imagination, Butterfly is a charming and fairy-tale-inspired bed designed especially for children's rooms.

Its butterfly-shaped headboard and soft contours bring warmth, joy, and a playful character to the space. Integrated ambient lighting beneath the bed adds a gentle glow, creating a cozy and comforting atmosphere that children will love.

Combining comfort, creativity, and style, Butterfly is a delightful design that adds color and magic to every child's dream world.

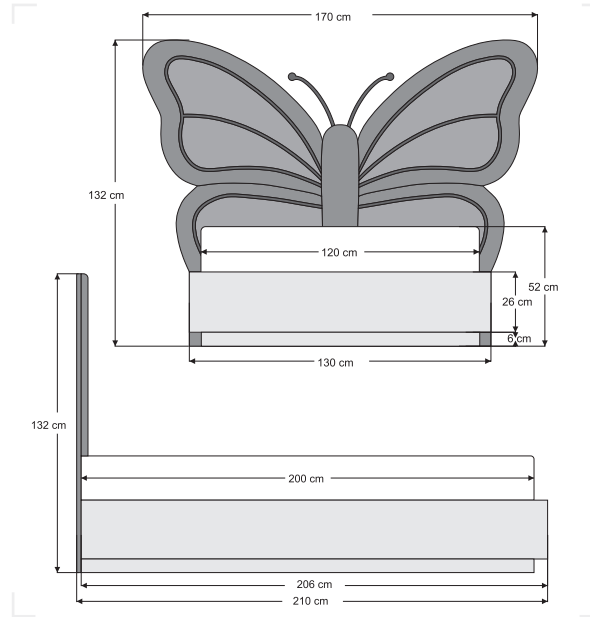


Revella
BEDDING

Butterfly

BASE & HEADBOARD

- Rust- and corrosion-resistant steel inner framework.
- Silent sliding mechanism mounted on a reinforced base board for enhanced durability.
- Strong and stable storage base construction resting securely on the floor.
- Elegant and easy-grip fabric-covered handle.
- Spacious storage compartment extending across the full bed width.
- Reinforced gas lifts and scissor mechanisms with safety locks for added protection.
- Ventilation capsules that help prevent moisture and odor buildup.
- 5 cm deep mattress-retaining frame to prevent mattress movement.
- Optional ambient LED lighting detail integrated into the lower section.



Set Includes: BUTTERFLY SET / Butterfly Base, Butterfly Headboard, Butterfly Mattress.

BUTTERFLY MATTRESS

Designed to support healthy growth and restful sleep, Butterfly Mattress combines soft comfort layers with a 1000-count pocket spring system for balanced support and proper spinal alignment. Its breathable multi-layer structure promotes airflow, helping maintain a fresh and comfortable sleep environment throughout the night. Built with durable materials and a child-friendly comfort feel, it delivers a cozy and secure sleeping experience.



5
Years
Warranty

28
cm

100% COTTON

Natural cotton fibers provide exceptional breathability and moisture control, helping maintain an ideal sleeping temperature. Soft, gentle, and skin-friendly, cotton creates a fresh and comfortable sleep surface while supporting healthy sleep habits.

POCKET SPRING SYSTEM

The pocket spring system features individually wrapped springs that respond independently to body movements. This innovative design provides targeted support, reduces motion transfer, and helps maintain proper spinal alignment for a peaceful and comfortable sleep.

Mattress Firmness Chart	H1	H2	H3	H4
	Soft	Medium	Hard	Ultra Hard
60 - 80 kg				
80 - 100 kg				
100 - 120 kg				
120 - 150 kg				

90x190 90x200 100x200 120x200 140x190 140x200 150x200 160x200 180x200 200x200



%100 Cotton



Quilted Fabric



Knitted Fabric



Orthopedic



One-Sided Use



4 Season Use



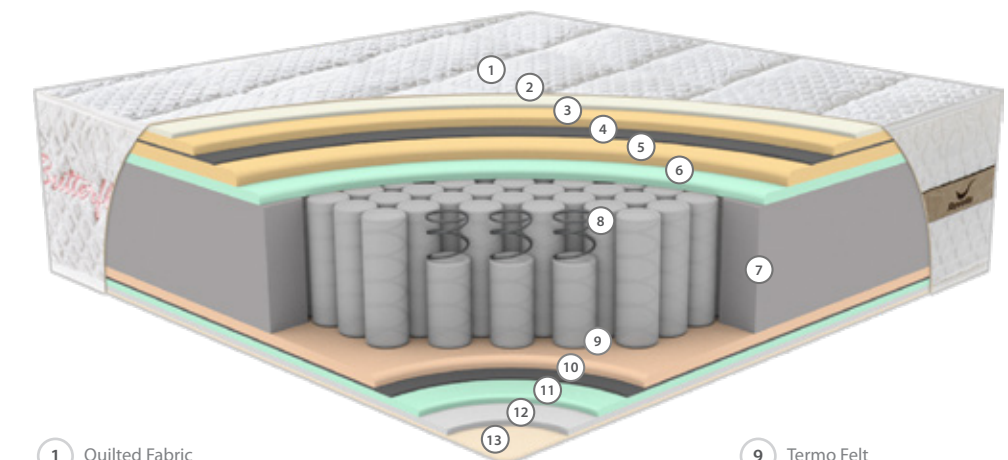
Hyper Foam



Pocket Spring System



Roll Pack



- 1 Quilted Fabric
- 2 Cotton Fiber
- 3 Hyper Soft Foam
- 4 Interlining
- 5 Hyper Soft Foam
- 6 Comfort Foam
- 7 Edge Support Foam
- 8 1000 Count Pocket Spring
- 9 Termo Felt
- 10 Interlining
- 11 Comfort Foam
- 12 Micro Fiber Filling
- 13 Quilted Fabric

NEW
COLLECTION

Aria

Designed to help children explore their own world, Aria offers a warm and secure bed design. Its low-profile, floor-level structure allows children to get in and out of bed easily, encouraging independence while supporting confidence and motor development. This thoughtful design also provides greater comfort and peace of mind for parents.

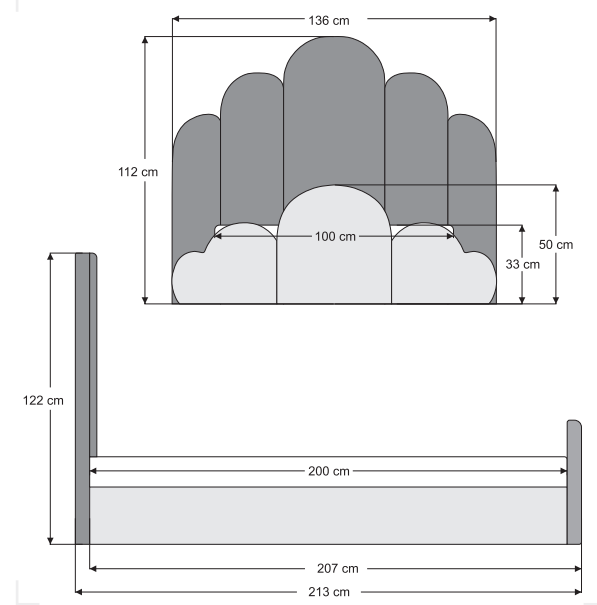
With its soft, rounded lines, Aria brings both comfort and a cheerful atmosphere to children's rooms.



Aria

BED BASE & HEADBOARD

- Rust- and corrosion-resistant steel inner construction.
- Silent sliding mechanism integrated into the base platform for enhanced durability.
- 5 cm recessed mattress support system to prevent mattress movement.
- Ventilation capsules that help reduce moisture and odors.
- Strong slatted base structure for reliable support.
- Floor-level, legless bed design.
- Upholstered headboard and bed frame.
- Child-friendly design focused on safety and comfort.
- Soft-edged protective bed frame shape.



LOVE MATTRESS

The Love Mattress combines softness and support in perfect harmony to provide a peaceful sleeping experience. Hyper Soft foam layers create a gentle comfort feel, while the 1000-count pocket spring system supports proper spinal alignment and distributes pressure evenly. Its breathable, multi-layer construction helps maintain a fresh and uninterrupted sleep environment throughout the night. With its balanced support system and durable structure, it delivers a warm, comfortable, and secure sleep experience.



5
Years
Warranty

↑ 28
cm

LINEN FABRIC

Linen fabric is one of the most valuable materials used in children's mattresses. Its natural structure maximizes breathability, helping regulate body temperature and promoting deeper, more restful sleep. The antibacterial properties of linen create a healthier environment for sensitive skin and help reduce the risk of allergies, supporting healthy physical and mental development.

COTTON

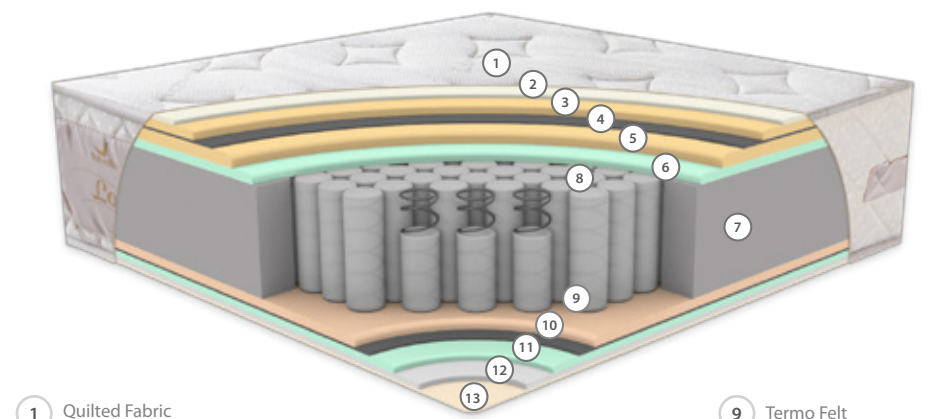
Cotton is one of the most natural and breathable materials used in mattresses. It improves airflow, helps reduce perspiration during sleep, and creates a cool, comfortable sleeping surface. Its soft texture feels gentle on the skin and provides resistance against allergens.

POCKET SPRING SYSTEM

The pocket spring system features individually wrapped springs that respond independently to body movements. This innovative design provides targeted support, excellent body conformity, and reduced motion transfer for a peaceful and comfortable sleep experience.

Mattress Firmness Chart	H1	H2	H3	H4
	Soft	Medium	Hard	Ultra Hard
60 - 80 kg				
80 - 100 kg				
100 - 120 kg				
120 - 150 kg				

- 100% Cotton
- Quilted Fabric
- Knitted Fabric
- Orthopedic
- One-Sided Use
- 4 Season Use
- Hyper Foam
- Pocket Spring System
- Roll Pack



- 1 Quilted Fabric
- 2 Cotton Fiber
- 3 Hyper Soft Foam
- 4 Interlining
- 5 Hyper Soft Foam
- 6 Comfort Foam
- 7 Edge Support Foam
- 8 1000 Count Pocket Spring
- 9 Termo Felt
- 10 Interlining
- 11 Comfort Foam
- 12 Micro Fiber Filling
- 13 Quilted Fabric

NEW
COLLECTION

Rainbow

Inspired by the colorful imagination of children, Rainbow brings joy and energy into every room with its playful rainbow-shaped design. Its soft, rounded lines create a warm, safe, and comfortable sleeping space while adding a cheerful and unique character to children's bedrooms.

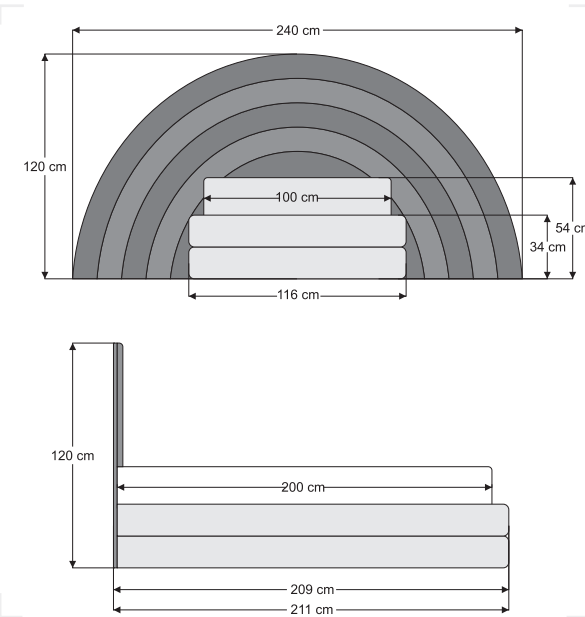
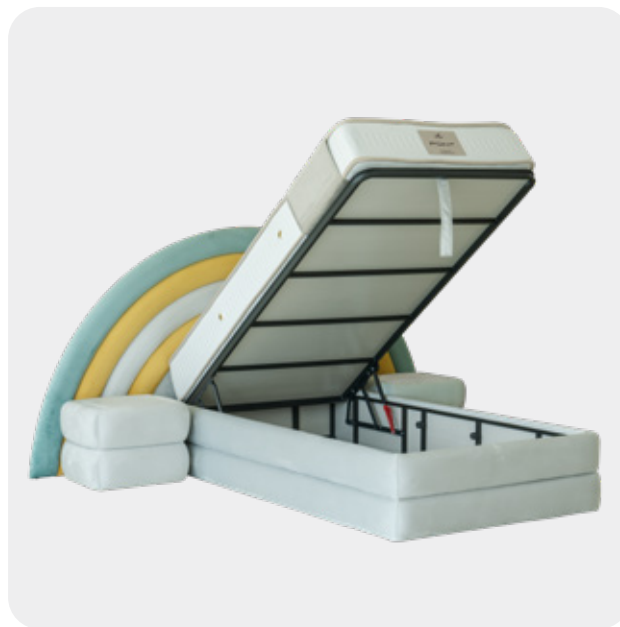
Combining comfort with charming aesthetics, Rainbow is designed to bring big happiness to little worlds.



Rainbow

BED BASE & HEADBOARD

- Rust- and corrosion-resistant steel inner construction.
- Silent sliding mechanism integrated into the base platform for enhanced durability.
- Special upholstery system designed to prevent mattress movement.
- Ergonomic fabric handles for easy grip and handling.
- Spacious storage compartment across the full bed width.
- Reinforced gas lifts and scissor mechanisms with safety locks.
- Ventilation capsules that help prevent moisture and odors.



Set Includes: RAINBOW SET / Rainbow Bed Base, Rainbow Headboard, Rainbow Mattress, Rainbow Nightstand.

RAINBOW MATTRESS

Specially designed for the Little Dreamers collection, the Rainbow Mattress provides a safe and comfortable sleep solution that supports healthy growth and development. Natural cotton fibers create a fresh and breathable sleep environment, while Hyper Soft foam layers deliver gentle comfort. The 1000-count pocket spring system supports proper spinal alignment during growth years and minimizes motion transfer for uninterrupted sleep. Its durable multi-layer construction ensures long-lasting, hygienic, and reliable performance.



5
Years
Warranty

26
cm

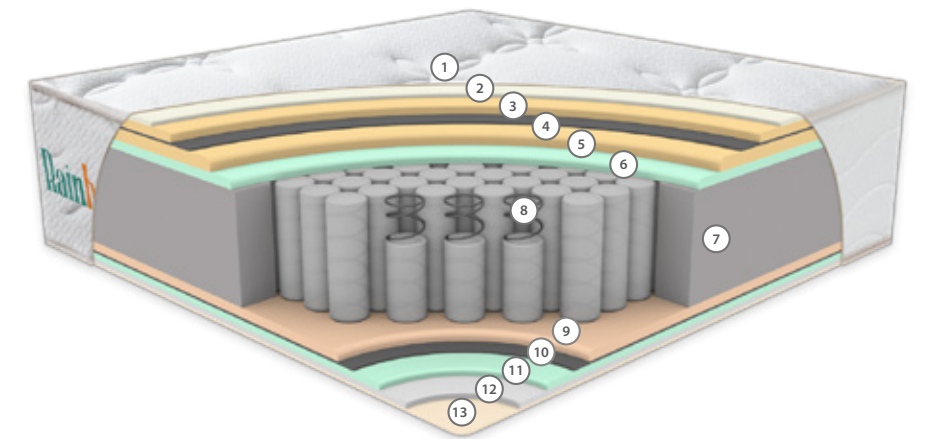
HYPER SOFT FOAM

Hyper Soft Foam is an exceptionally soft and flexible foam that provides a gentle touch when the body first contacts the mattress. Used in the quilting layer, it creates a plush and comfortable sleeping surface.



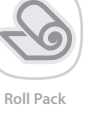
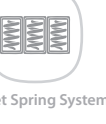
POCKET SPRING SYSTEM

The pocket spring system features individually wrapped springs that respond independently to body movements. This innovative design provides targeted support, excellent body conformity, and reduced motion transfer for a peaceful and comfortable sleep experience.



Mattress Firmness Chart	H1	H2	H3	H4
	Soft	Medium	Hard	Ultra Hard
60 - 80 kg				
80 - 100 kg				
100 - 120 kg				
120 - 150 kg				

- 1 Quilted Fabric
- 2 Cotton Fiber
- 3 Hyper Soft Foam
- 4 Interlining
- 5 Hyper Soft Foam
- 6 Comfort Foam
- 7 Edge Support Foam
- 8 1000 Count Pocket Spring
- 9 Termo Felt
- 10 Interlining
- 11 Comfort Foam
- 12 Micro Fiber Filling
- 13 Quilted Fabric



90x190 90x200 100x200 120x200 140x190 140x200 150x200 160x200 180x200 200x200

NEW
COLLECTION



Balloon

Inspired by children's imagination, Balloon is designed to bring joy and excitement to every room with its colorful and playful character. Featuring a unique balloon-shaped headboard, it creates a fun-filled atmosphere while its soft, rounded lines provide a warm, comfortable, and safe sleeping space.

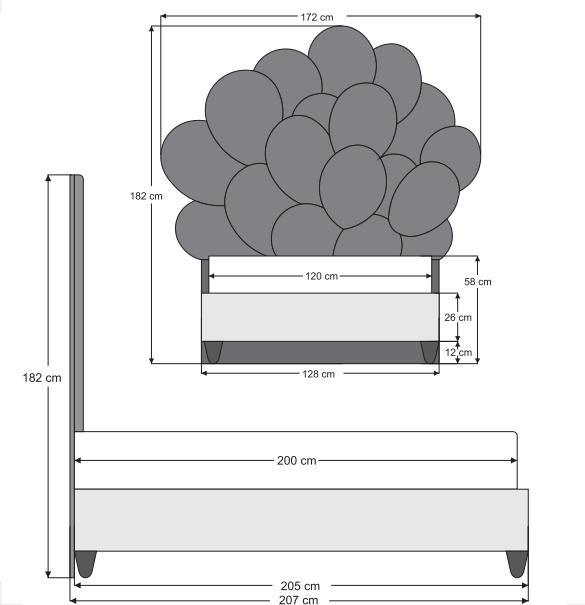
Combining fun and comfort, Balloon adds a touch of color and creativity to children's dream worlds.



Balloon

BED BASE & HEADBOARD

- Rust- and corrosion-resistant steel inner construction.
- Silent sliding mechanism integrated into the base platform for enhanced durability.
- Fabric-covered metal handles designed for comfortable and easy grip.
- 5 cm recessed mattress support system to prevent mattress movement.
- Spacious storage compartment across the full bed width.
- Reinforced gas lifts and scissor mechanisms with safety locks.
- Ventilation capsules that help prevent moisture and odors.
- Stylish bed base body featuring a unique oval-shaped front panel design.



Set Includes: BALLOON SET / Balloon Bed Base, Balloon Headboard, Balloon Mattress.

BALLOON MATTRESS

Specially designed for children, the Balloon Mattress provides a comfortable, healthy, and secure sleep experience. Natural cotton fibers and breathable fabrics create a fresh sleeping environment, while Hyper Soft foam layers offer a gentle and cozy feel. The 1000-count pocket spring system supports proper spinal alignment during growth years and minimizes motion transfer for uninterrupted sleep. Its durable multi-layer construction ensures long-lasting comfort, hygiene, and reliable support.



5
Years
Warranty

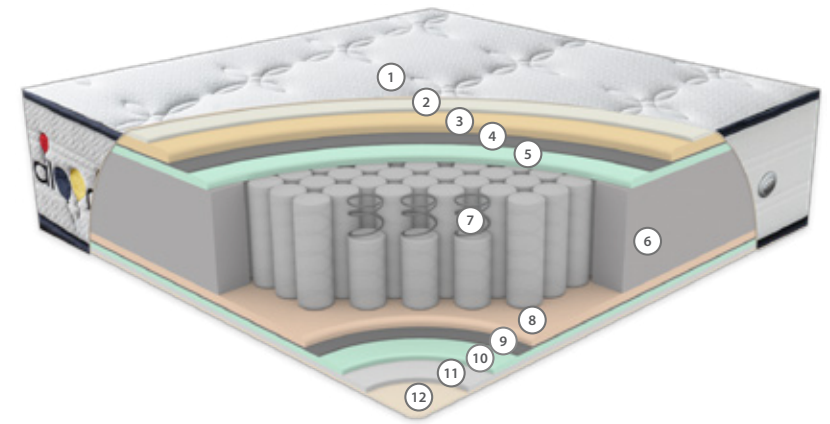
26
cm

ORTHOPEDIC

Experience exceptional support and comfort with an orthopedic mattress designed to align the spine and reduce pressure points. Ideal for those experiencing back or joint discomfort, it promotes healthy posture and enhances sleep quality.

POCKET SPRING SYSTEM

The pocket spring system features individually wrapped springs enclosed in fabric pockets. This innovative structure provides targeted support to each area of the body for superior comfort and body conformity. Pocket springs minimize motion transfer, creating a peaceful and comfortable sleeping experience.



Mattress Firmness Chart	H1	H2	H3	H4
	Soft	Medium	Hard	Ultra Hard
60 - 80 kg				
80 - 100 kg				
100 - 120 kg				
120 - 150 kg				

- 1 Quilted Fabric
- 2 Cotton Fiber
- 3 Hyper Soft Sünger
- 4 Interlining
- 5 Comfort Foam
- 6 Edge Support Foam
- 7 1000 Count Pocket Spring
- 8 Termo Felt
- 9 Interlining
- 10 Comfort Foam
- 11 Micro Fiber Filling
- 12 Quilted Fabric

90x190 90x200 100x200 120x200 140x190 140x200 150x200 160x200 180x200 200x200

- Quilted Fabric
- Knitted Fabric
- Orthopedic
- One-Sided Use
- 4 Season Use
- Pocket Spring System
- Roll Pack



NEW
COLLECTION



Cat

Inspired by the charm of a playful cat, Cat is designed to bring a warm and cheerful character to children's rooms. Its soft, cat-shaped headboard sparks imagination, while the safe and comfortable design creates a cozy environment for restful sleep.

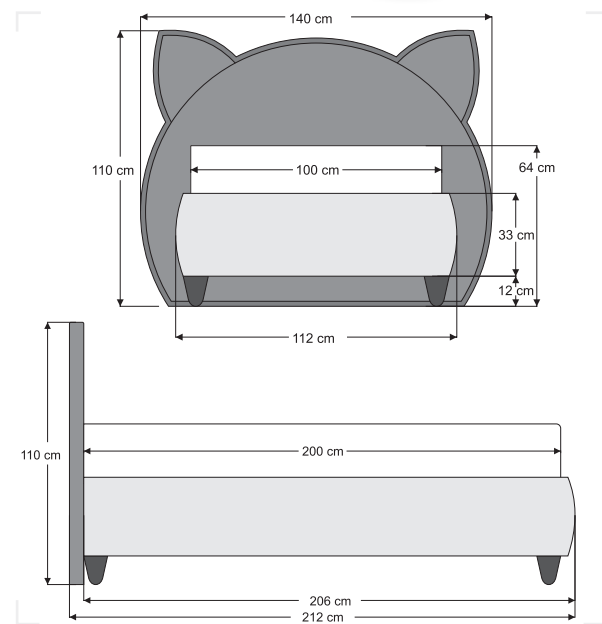
Combining playfulness and comfort, Cat fills children's rooms with joy, creativity, and a welcoming atmosphere.



Cat

BED BASE & HEADBOARD

- Rust- and corrosion-resistant steel inner construction.
- Silent sliding mechanism integrated into the base platform for enhanced durability.
- Ergonomic fabric handles for easy grip and handling.
- Spacious storage compartment across the full bed width.
- Reinforced gas lifts and scissor mechanisms with safety locks.
- Ventilation capsules that help prevent moisture and odors.
- 5 cm recessed mattress support system to prevent mattress movement.



Set Includes: CAT SET / Cat Bed Base, Cat Headboard, Cat Mattress.

CAT MATTRESS

Designed specifically for children, the Cat Mattress combines gentle comfort with balanced support for a healthy and restful sleep experience. Breathable cotton fibers and a skin-friendly surface create a fresh sleeping environment, while Hyper Soft Foam layers provide a plush feel. The 1000 Count Pocket Spring System supports proper spinal alignment during growth and minimizes motion transfer for uninterrupted sleep. Its durable layered construction ensures long-lasting comfort, safety, and reliability.



5
Years
Warranty

↑ 26 cm

- Quilted Fabric
- Knitted Fabric
- Orthopedic
- One-Sided Use
- 4 Season Use
- Pocket Spring System
- Roll Pack

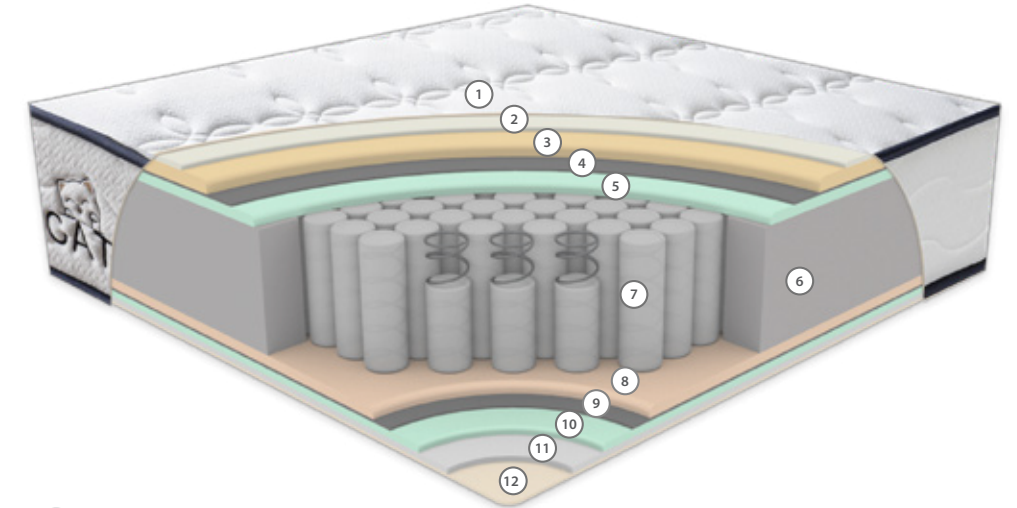
HYPER SOFT FOAM

Hyper Soft Foam is an exceptionally soft and flexible material that provides a gentle touch upon first contact with the mattress. Used in the quilting layer, it enhances surface comfort and creates a plush sleeping feel.



POCKET SPRING SYSTEM

The pocket spring system features individually wrapped springs enclosed in fabric pockets. This innovative structure provides targeted support to each area of the body for superior comfort and body conformity. Pocket springs minimize motion transfer, creating a peaceful and comfortable sleeping experience.



Mattress Firmness Chart	H1	H2	H3	H4
	Soft	Medium	Hard	Ultra Hard
60 - 80 kg				
80 - 100 kg				
100 - 120 kg				
120 - 150 kg				

- 1 Quilted Fabric
- 2 Cotton Fiber
- 3 Hyper Soft Sünger
- 4 Interlining
- 5 Comfort Foam
- 6 Edge Support Foam
- 7 1000 Count Pocket Spring
- 8 Termo Felt
- 9 Interlining
- 10 Comfort Foam
- 11 Micro Fiber Filling
- 12 Quilted Fabric

90x190 90x200 100x200 120x200 140x190 140x200 150x200 160x200 180x200 200x200

NEW
COLLECTION



Rabbit

Inspired by a charming rabbit character, Rabbit is designed to bring warmth, fun, and imagination to children's bedrooms. Its distinctive headboard with long bunny ears adds a playful personality, while the soft curves create a cozy and welcoming atmosphere. Combining comfort, safety, and creativity, Rabbit transforms every room into a joyful space where little dreamers can relax, play, and enjoy peaceful nights.

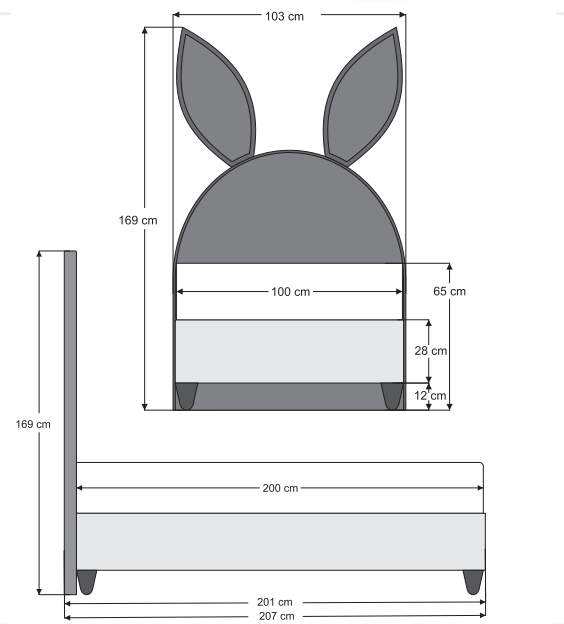
With its delightful design and child-friendly form, Rabbit creates a cheerful sleeping environment that inspires imagination and happiness every day.



Rabbit

BASE & HEADBOARD

- Internal steel frame construction resistant to rust and corrosion.
- Durable sliding mechanism reinforced within the base structure to prevent noise and enhance longevity.
- Fabric-covered handles designed for a comfortable and secure grip.
- Spacious storage compartment integrated into the base.
- Reinforced gas lifts and safety lock mechanisms for secure use.
- Ventilation capsules that help prevent moisture and odor buildup.



SET CONTENT : RABBIT SET / Rabbit Base, Rabbit Headboard, Rabbit Mattress, Rabbit Nightstand.

RABBIT MATTRESS

Designed to accompany children through a world of imagination, the Rabbit Mattress combines cloud-like softness with reliable support. Breathable cotton fibers and a skin-friendly surface create a fresh and comfortable sleep environment, while Hyper Soft Foam layers provide a gentle, plush feel. The 1000 Count Pocket Spring System supports proper spinal development and minimizes motion transfer, ensuring uninterrupted sleep. With its balanced construction, Rabbit delivers comfort, safety, and peaceful rest for growing children.



5
Years
Warranty

↑ 26
cm

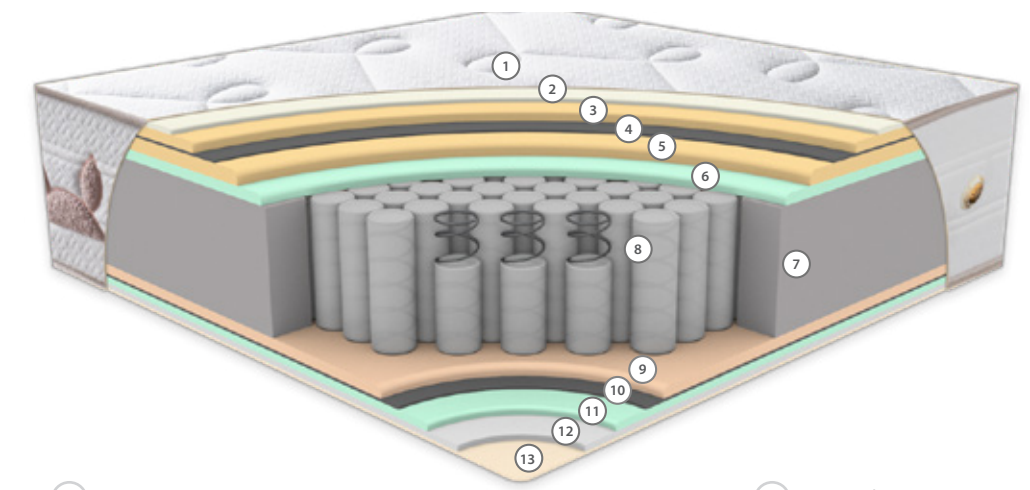
HYPER SOFT FOAM

Hyper Soft Foam is an exceptionally soft and flexible material that provides a gentle touch upon first contact with the mattress. Used in the quilting layer, it enhances surface comfort and creates a plush sleeping feel.



POCKET SPRING SYSTEM

The pocket spring system features individually wrapped springs enclosed in fabric pockets. This innovative structure provides targeted support to each area of the body for superior comfort and body conformity. Pocket springs minimize motion transfer, creating a peaceful and comfortable sleeping experience.



Mattress Firmness Chart	H1	H2	H3	H4
	Soft	Medium	Hard	Ultra Hard
60 - 80 kg				
80 - 100 kg				
100 - 120 kg				
120 - 150 kg				

- 1 Quilted Fabric
- 2 Cotton Fiber
- 3 Hyper Soft Foam
- 4 Interlining
- 5 Hyper Soft Foam
- 6 Comfort Foam
- 7 Edge Support Foam
- 8 1000 Count Pocket Spring
- 9 Termo Felt
- 10 Interlining
- 11 Comfort Foam
- 12 Micro Fiber Filling
- 13 Quilted Fabric

90x190 90x200 100x200 120x200 140x190 140x200 150x200 160x200 180x200 200x200

- Quilted Fabric
- Knitted Fabric
- Orthopedic
- One-Sided Use
- 4 Season Use
- Hyper Foam
- Pocket Spring System
- Roll Pack

NEW
COLLECTION



Love

With its soft lines and elegantly quilted headboard, Love brings a warm and cheerful character to children's bedrooms. The smile-inspired headboard design adds a playful touch, while the refined quilting details enhance its charming appearance. Combining comfort, safety, and style, Love creates a cozy sleeping space where children can relax, dream, and enjoy every moment.

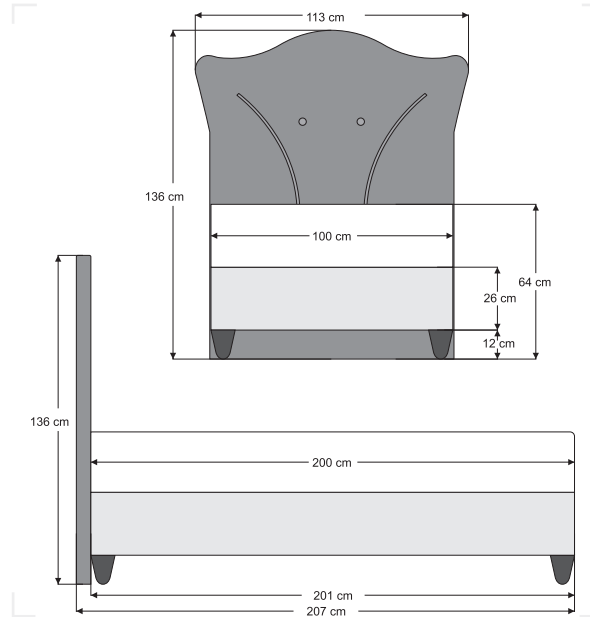
Designed to blend comfort with a delightful aesthetic, Love transforms children's rooms into inviting spaces filled with happiness and warmth.



Love

BASE & HEADBOARD

- Internal steel frame construction resistant to rust and corrosion.
- Durable sliding mechanism reinforced within the base structure to prevent noise and increase longevity.
- Fabric-covered handles designed for a comfortable and secure grip.
- Spacious storage compartment integrated into the base.
- Reinforced gas lifts and safety lock mechanisms for safe and reliable use.
- Ventilation capsules that help prevent moisture and odor buildup.



LOVE MATTRESS

The Love Mattress combines softness and support in perfect harmony to provide a peaceful sleeping experience. Hyper Soft foam layers create a gentle comfort feel, while the 1000-count pocket spring system supports proper spinal alignment and distributes pressure evenly. Its breathable, multi-layer construction helps maintain a fresh and uninterrupted sleep environment throughout the night. With its balanced support system and durable structure, it delivers a warm, comfortable, and secure sleep experience.



5
Years
Warranty

28
cm

LINEN FABRIC

Linen fabric is one of the most valuable materials used in children's mattresses. Its natural structure maximizes breathability, helping regulate body temperature and promoting deeper, more restful sleep. The antibacterial properties of linen create a healthier environment for sensitive skin and help reduce the risk of allergies, supporting healthy physical and mental development.

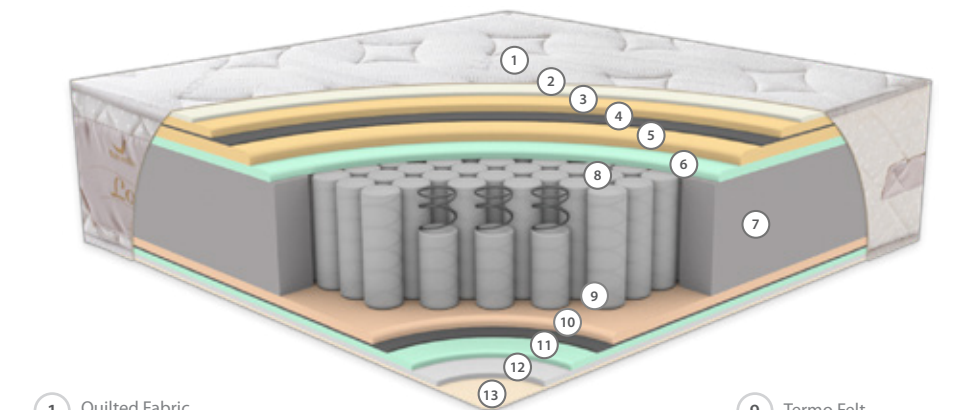
COTTON

Cotton is one of the most natural and breathable materials used in mattresses. It improves airflow, helps reduce perspiration during sleep, and creates a cool, comfortable sleeping surface. Its soft texture feels gentle on the skin and provides resistance against allergens.

POCKET SPRING SYSTEM

The pocket spring system features individually wrapped springs that respond independently to body movements. This innovative design provides targeted support, excellent body conformity, and reduced motion transfer for a peaceful and comfortable sleep experience.

Mattress Firmness Chart	H1	H2	H3	H4
	Soft	Medium	Hard	Ultra Hard
60 - 80 kg				
80 - 100 kg				
100 - 120 kg				
120 - 150 kg				



- 1 Quilted Fabric
- 2 Cotton Fiber
- 3 Hyper Soft Foam
- 4 Interlining
- 5 Hyper Soft Foam
- 6 Comfort Foam
- 7 Edge Support Foam
- 8 1000 Count Pocket Spring
- 9 Termo Felt
- 10 Interlining
- 11 Comfort Foam
- 12 Micro Fiber Filling
- 13 Quilted Fabric

- 100% Cotton
- Quilted Fabric
- Knitted Fabric
- Orthopedic
- One-Sided Use
- 4 Season Use
- Hyper Foam
- Pocket Spring System
- Roll Pack

NEW
COLLECTION



Bear

Inspired by the friendly and comforting shape of a bear, Bear brings warmth and character to children's bedrooms. Its distinctive headboard design creates a strong visual presence, while the soft curves add a cozy and welcoming touch.

Combining comfort, durability, and playful elegance, Bear transforms any room into a space where children can feel safe, relaxed, and inspired.

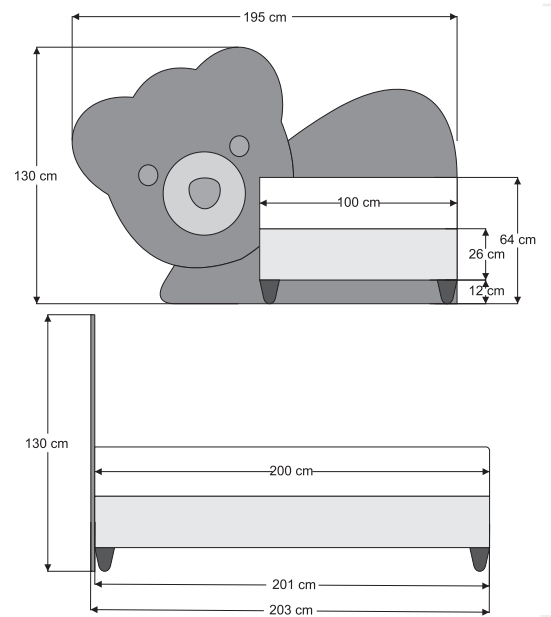
With its balanced design and inviting form, Bear offers a charming sleeping environment that adds both style and comfort to everyday life.



Bear

BASE & HEADBOARD

- Internal steel frame construction resistant to rust and corrosion.
- Durable sliding mechanism reinforced within the base structure to prevent noise and increase longevity.
- High and durable reinforced legs for easier floor cleaning.
- Fabric-covered handles designed for a comfortable and secure grip.
- Spacious storage compartment integrated into the base.
- Reinforced gas lifts and safety lock mechanisms for safe and reliable use.
- Ventilation capsules that help prevent moisture and odor buildup.



SET CONTENT BEAR SET / Bear Base, Bear Headboard, Bear Mattress.

BEAR MATTRESS

Inspired by the strength and reliability of its namesake, the Bear Mattress is designed to provide exceptional durability and balanced support for growing children. Its multi-layer comfort structure combines Hyper Soft Foam for a gentle surface feel with a 1000 Count Pocket Spring System that evenly distributes body weight and promotes healthy spinal alignment. Reinforced edge support and durable materials ensure long-lasting stability, comfort, and safety throughout every stage of growth.



5
Years
Warranty

↑ 28
cm

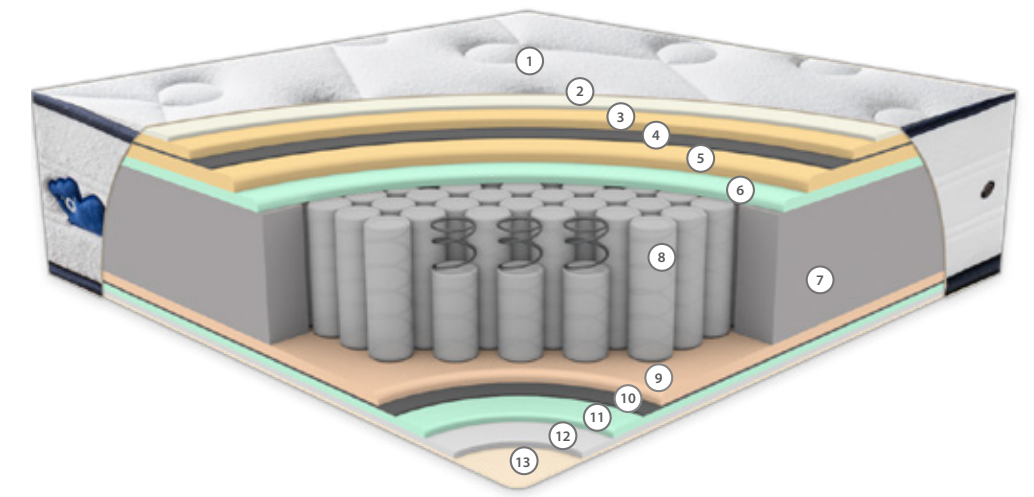
HYPER SOFT FOAM

Hyper Soft Foam is an exceptionally soft and flexible material that provides a gentle touch upon first contact with the mattress. Used in the quilting layer, it enhances surface comfort and creates a plush sleeping feel.



POCKET SPRING SYSTEM

The Pocket Spring System features individually wrapped springs that move independently to provide targeted support for each area of the body. This structure improves spinal alignment, minimizes motion transfer, and delivers a peaceful and comfortable sleep experience.



Mattress Firmness Chart	H1	H2	H3	H4
	Soft	Medium	Hard	Ultra Hard
60 - 80 kg				
80 - 100 kg				
100 - 120 kg				
120 - 150 kg				

- 1 Quilted Fabric
- 2 Cotton Fiber
- 3 Hyper Soft Foam
- 4 Interlining
- 5 Hyper Soft Foam
- 6 Comfort Foam
- 7 Edge Support Foam
- 8 1000 Count Pocket Spring
- 9 Termo Felt
- 10 Interlining
- 11 Comfort Foam
- 12 Micro Fiber Filling
- 13 Quilted Fabric

- 100% Cotton
- Quilted Fabric
- Knitted Fabric
- Orthopedic
- One-Sided Use
- 4 Season Use
- Hyper Foam
- Pocket Spring System
- Roll Pack

90x190 90x200 100x200 120x200 140x190 140x200 150x200 160x200 180x200 200x200

NEW
COLLECTION



Luna

Blending elegance with imagination, Luna is designed to bring a calm and modern atmosphere to children's bedrooms. Its softly contoured headboard and balanced silhouette combine comfort and style, creating a cozy and inviting space.

With its gentle design language and refined details, Luna inspires sweet dreams while adding warmth and sophistication to every room.

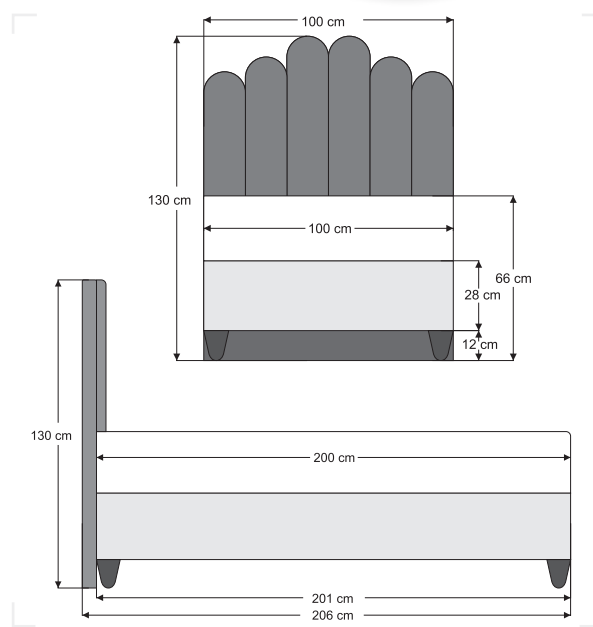
Created for little dreamers, Luna offers a peaceful living space where comfort, beauty, and creativity come together.



Luna

BASE & HEADBOARD

- Internal steel frame construction resistant to rust and corrosion.
- Durable sliding mechanism reinforced within the base structure to prevent noise and increase longevity.
- High and durable reinforced legs for easier floor cleaning.
- Fabric-covered handles designed for a comfortable and secure grip.
- Spacious storage compartment integrated into the base.
- Reinforced gas lifts and safety lock mechanisms for safe and reliable use.
- Ventilation capsules that help prevent moisture and odor buildup.
- Anti-slip upholstered surface designed to prevent mattress movement.



SET CONTENT: LUNA SET / Luna Base, Luna Headboard, Love Mattress.

LOVE MATTRESS

The Love Mattress combines softness and support in perfect harmony to provide a peaceful sleeping experience. Hyper Soft foam layers create a gentle comfort feel, while the 1000-count pocket spring system supports proper spinal alignment and distributes pressure evenly. Its breathable, multi-layer construction helps maintain a fresh and uninterrupted sleep environment throughout the night. With its balanced support system and durable structure, it delivers a warm, comfortable, and secure sleep experience.



5
Years
Warranty

28
cm

LINEN FABRIC

Linen fabric is one of the most valuable materials used in children's mattresses. Its natural structure maximizes breathability, helping regulate body temperature and promoting deeper, more restful sleep. The antibacterial properties of linen create a healthier environment for sensitive skin and help reduce the risk of allergies, supporting healthy physical and mental development.

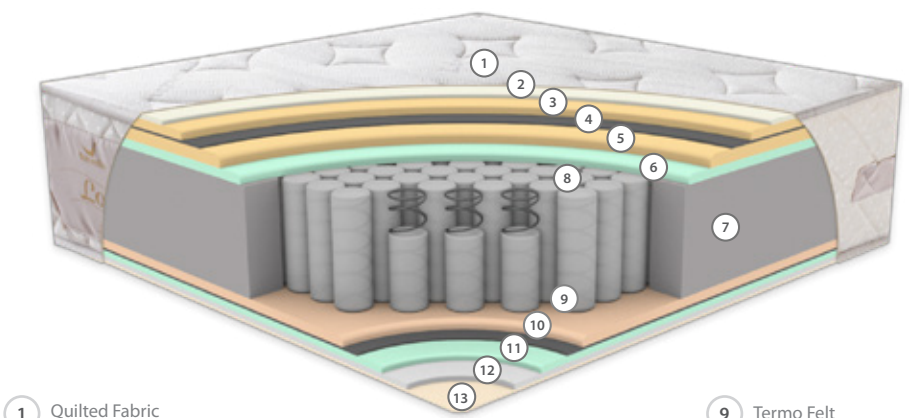
COTTON

Cotton is one of the most natural and breathable materials used in mattresses. It improves airflow, helps reduce perspiration during sleep, and creates a cool, comfortable sleeping surface. Its soft texture feels gentle on the skin and provides resistance against allergens.

POCKET SPRING SYSTEM

The pocket spring system features individually wrapped springs that respond independently to body movements. This innovative design provides targeted support, excellent body conformity, and reduced motion transfer for a peaceful and comfortable sleep experience.

Mattress Firmness Chart	H1	H2	H3	H4
	Soft	Medium	Hard	Ultra Hard
60 - 80 kg				
80 - 100 kg				
100 - 120 kg				
120 - 150 kg				



- 1 Quilted Fabric
- 2 Cotton Fiber
- 3 Hyper Soft Foam
- 4 Interlining
- 5 Hyper Soft Foam
- 6 Comfort Foam
- 7 Edge Support Foam
- 8 1000 Count Pocket Spring
- 9 Termo Felt
- 10 Interlining
- 11 Comfort Foam
- 12 Micro Fiber Filling
- 13 Quilted Fabric

90x190 90x200 100x200 120x200 140x190 140x200 150x200 160x200 180x200 200x200

NEW
COLLECTION



Car

Inspired by the excitement of movement and adventure, CAR is designed to fuel children's imagination and create a playful bedroom atmosphere. Its distinctive car-inspired headboard adds character and energy to the room, transforming everyday spaces into exciting places for dreaming and exploring.

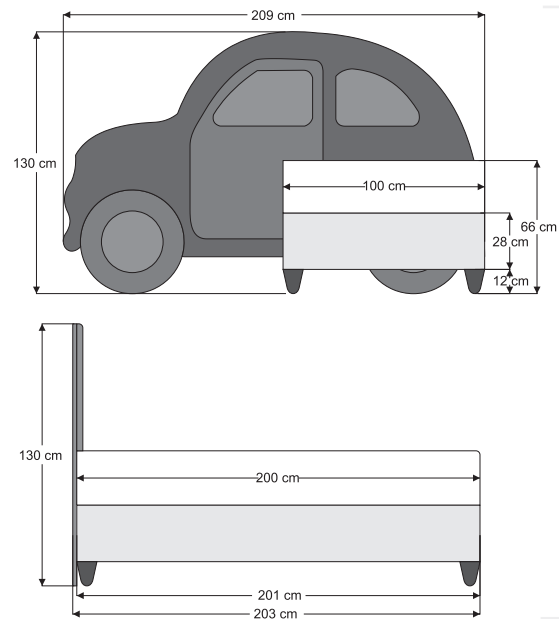
Combining fun design with child-friendly comfort, CAR brings a sense of adventure, creativity, and happiness to every child's world.



Car

CAR BASE & HEADBOARD

- Internal steel frame construction resistant to rust and corrosion.
- Durable sliding mechanism reinforced within the base structure to prevent noise and increase longevity.
- High and durable reinforced legs for easier floor cleaning.
- Fabric-covered handle designed for a comfortable and secure grip.
- Spacious storage compartment integrated into the base.
- Reinforced gas lifts and safety lock mechanisms for safe and reliable use.
- Ventilation capsules that help prevent moisture and odor buildup.



CAR MATTRESS

Designed for active and adventurous young sleepers, the CAR Mattress combines dynamic comfort with reliable support. Inspired by movement and energy, it features Hyper Soft Foam layers for a gentle sleeping surface and a 1000 Count Pocket Spring System that promotes healthy spinal alignment while reducing motion transfer. Its multi-layer construction relieves pressure points, enhances comfort, and provides a restful sleep environment night after night. With reinforced edge support and durable materials, CAR delivers long-lasting performance for growing children.



5
Years
Warranty

↑ 26
cm

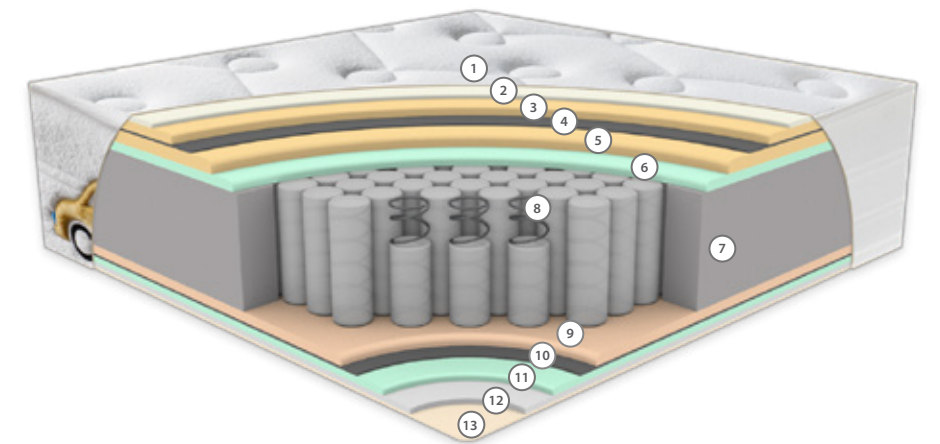
HYPER SOFT FOAM

Hyper Soft Foam is an exceptionally soft and flexible material that provides a gentle touch upon first contact with the mattress. Used in the quilting layer, it creates a plush surface feel and enhances overall sleeping comfort.



POCKET SPRING SYSTEM

The pocket spring system features individually wrapped springs that respond independently to body movements. This innovative design provides targeted support, excellent body conformity, and reduced motion transfer for a peaceful and comfortable sleep experience.



Mattress Firmness Chart	H1	H2	H3	H4
	Soft	Medium	Hard	Ultra Hard
60 - 80 kg				
80 - 100 kg				
100 - 120 kg				
120 - 150 kg				

- 1 Quilted Fabric
- 2 Cotton Fiber
- 3 Hyper Soft Foam
- 4 Interlining
- 5 Hyper Soft Foam
- 6 Comfort Foam
- 7 Edge Support Foam
- 8 1000 Count Pocket Spring
- 9 Termo Felt
- 10 Interlining
- 11 Comfort Foam
- 12 Micro Fiber Filling
- 13 Quilted Fabric

- Quilted Fabric
- Knitted Fabric
- Orthopedic
- One-Sided Use
- 4 Season Use
- Hyper Foam
- Pocket Spring System
- Roll Pack

NEW
COLLECTION



Mirace Jr.

Blending imagination with timeless elegance, Mirace Jr. is designed for children who appreciate classic design. Its clean lines and refined details create a warm and balanced atmosphere, bringing both comfort and style to children's bedrooms.

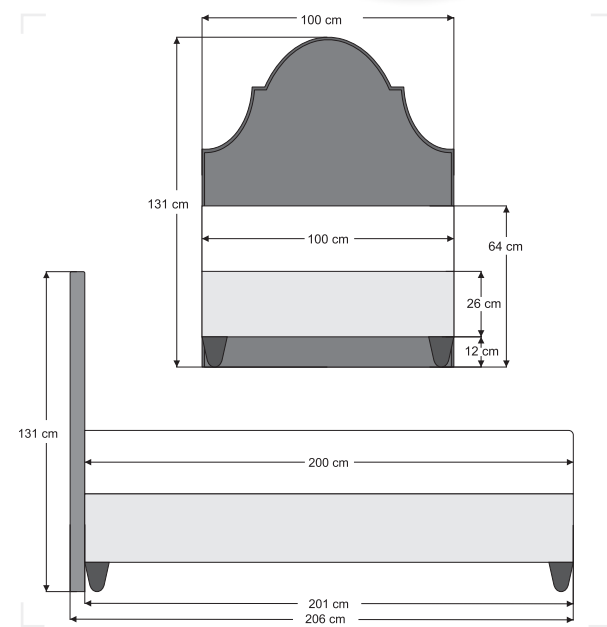
With its graceful headboard design and understated character, Mirace Jr. offers a sophisticated look that remains stylish for years, creating a cozy space where children can relax, dream, and grow.



Mirace Jr.

BASE & HEADBOARD

- Internal steel frame construction resistant to rust and corrosion.
- Durable sliding mechanism reinforced within the base structure to prevent noise and increase longevity.
- High and durable reinforced legs for easier floor cleaning.
- Fabric-covered handles designed for a comfortable and secure grip.
- Spacious storage compartment integrated into the base.
- Reinforced gas lifts and safety lock mechanisms for safe and reliable use.
- Ventilation capsules that help prevent moisture and odor buildup.



SET CONTENT: MIRACE JR. SET / Mirace Jr. Base, Mirace Jr. Headboard, Point Mattress.

POINT MATTRESS

Built for dependable comfort and balanced support, the Point Mattress features a pocket spring system combined with advanced Hyper Soft foam layers. Individually encased springs provide targeted support across different body zones, promoting proper spinal alignment, while soft comfort layers enhance pressure relief. Reinforced structure ensures long-lasting durability and shape stability. Designed for everyday use, it delivers a quiet, supportive, and consistently comfortable sleep experience.



5
Years
Warranty

26
cm

HYPER SOFT FOAM

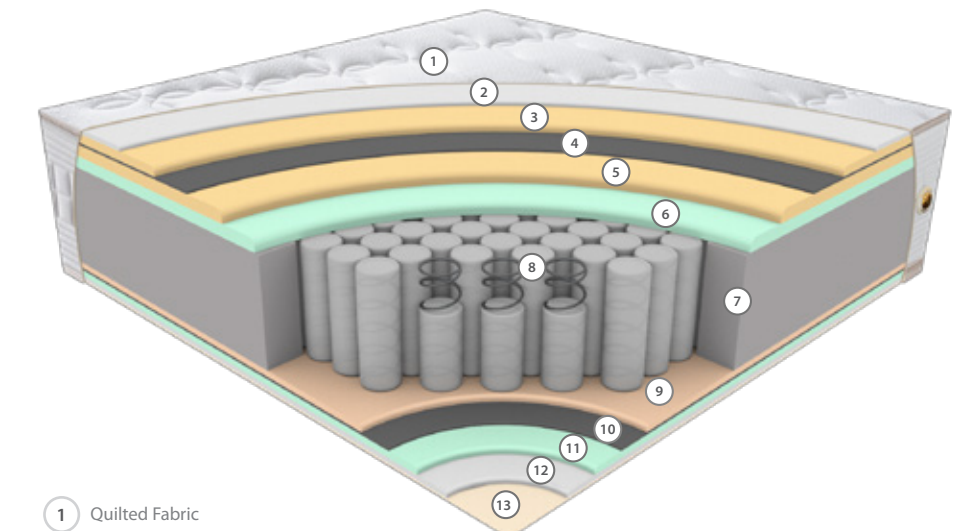
Hyper Soft foam is a specially engineered material with an ultra-soft and highly elastic structure. It distributes pressure evenly while maximising comfort during body contact with the mattress. Used in the quilting layer, Hyper Soft foam provides a silky-soft touch and a superior level of comfort.



POCKET SPRING SYSTEM

The pocket spring system is an innovative design where each spring is individually encased in its own fabric pocket. This independent structure provides tailored support to every part of the body, ensuring optimal alignment. By minimising motion transfer, it delivers a peaceful and undisturbed sleep experience with superior comfort.

Mattress Firmness Chart	H1	H2	H3	H4
	Soft	Medium	Hard	Ultra Hard
60 - 80 kg				
80 - 100 kg				
100 - 120 kg				
120 - 150 kg				



- 1 Quilted Fabric
- 2 Micro Fiber Filling
- 3 Hyper Soft Foam
- 4 Interlining
- 5 Hyper Soft Foam
- 6 Comfort Foam
- 7 Edge Support Foam
- 8 1000 Count Pocket Spring
- 9 Termo Felt
- 10 Interlining
- 11 Comfort Foam
- 12 Micro Fiber Filling
- 13 Quilted Fabric

- Quilted Fabric
- Knitted Fabric
- Orthopedic
- One-Sided Use
- 4 Season Use
- Hyper Foam
- Pocket Spring System
- Roll Pack

90x190 90x200 100x200 120x200 140x190 140x200 150x200 160x200 180x200 200x200

NEW
COLLECTION

Full Size Kids

Designed with a flexible layout concept, Full Size Kids offers various arrangement options for children's rooms.

Its wide headboard structure can either create a unified design that spans the entire room or be positioned behind two separate bed bases to provide a harmonious look for twin rooms. When desired, it can also be arranged in an L-shape, adding a different usage layout to the space.

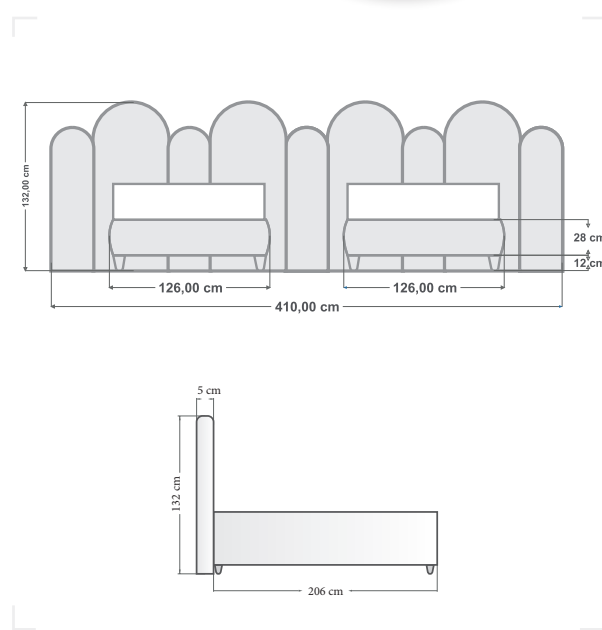
With its elegant lines and balanced design, Full Size Kids provides children's rooms with a solution that is both aesthetic and functional.



Full Size Kids

BED BASE & HEADBOARD

- Steel-reinforced internal construction resistant to rust and corrosion.
- Noise-reducing sliding mechanism with reinforced platform support for enhanced durability.
- High and reinforced legs for easier floor cleaning.
- Fabric-covered metal handles with an elegant and easy-grip design.
- Spacious storage compartment extending across the full bed width.
- Shock absorbers and scissor mechanisms reinforced with safety locks.
- Ventilation capsules that help prevent moisture and odor buildup.
- Special upholstery and anti-slip surface to prevent mattress movement.



LOVE MATTRESS

The Love Mattress combines softness and support in perfect harmony to provide a peaceful sleeping experience. Hyper Soft foam layers create a gentle comfort feel, while the 1000-count pocket spring system supports proper spinal alignment and distributes pressure evenly. Its breathable, multi-layer construction helps maintain a fresh and uninterrupted sleep environment throughout the night. With its balanced support system and durable structure, it delivers a warm, comfortable, and secure sleep experience.



5
Years
Warranty

28
cm

LINEN FABRIC

Linen fabric is one of the most valuable materials used in children's mattresses. Its natural structure maximizes breathability, helping regulate body temperature and promoting deeper, more restful sleep. The antibacterial properties of linen create a healthier environment for sensitive skin and help reduce the risk of allergies, supporting healthy physical and mental development.

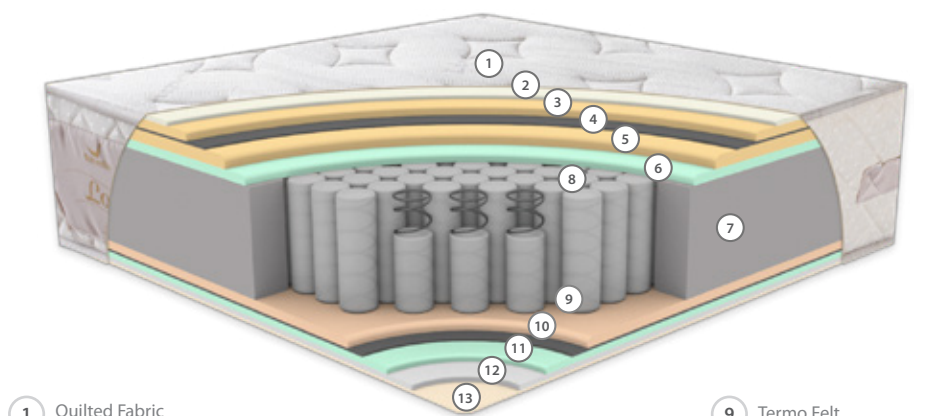
COTTON

Cotton is one of the most natural and breathable materials used in mattresses. It improves airflow, helps reduce perspiration during sleep, and creates a cool, comfortable sleeping surface. Its soft texture feels gentle on the skin and provides resistance against allergens.

POCKET SPRING SYSTEM

The pocket spring system features individually wrapped springs that respond independently to body movements. This innovative design provides targeted support, excellent body conformity, and reduced motion transfer for a peaceful and comfortable sleep experience.

Mattress Firmness Chart	H1	H2	H3	H4
	Soft	Medium	Hard	Ultra Hard
60 - 80 kg				
80 - 100 kg				
100 - 120 kg				
120 - 150 kg				



- 1 Quilted Fabric
- 2 Cotton Fiber
- 3 Hyper Soft Foam
- 4 Interlining
- 5 Hyper Soft Foam
- 6 Comfort Foam
- 7 Edge Support Foam
- 8 1000 Count Pocket Spring
- 9 Termo Felt
- 10 Interlining
- 11 Comfort Foam
- 12 Micro Fiber Filling
- 13 Quilted Fabric

- 100% Cotton
- Quilted Fabric
- Knitted Fabric
- Orthopedic
- One-Sided Use
- 4 Season Use
- Hyper Foam
- Pocket Spring System
- Roll Pack



Nightstands



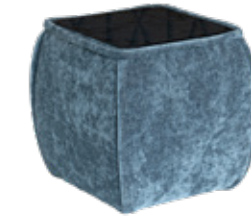
VERONA
Width: 56 cm
Dept: 52 cm
Height: 53 cm



SOFFIA
Height: 61 cm
Diameter: 45 cm



TOKYO
Height: 54 cm
Diameter: 35 cm



SEOSSA
Width: 42 cm
Dept: 42 cm
Height: 42 cm



WRINKLE
Width: 49 cm
Dept: 50 cm
Height: 47 cm



FULL SIZE 1
Width: 51 cm
Dept: 52 cm
Height: 56 cm



FULL SIZE 3
Width: 51 cm
Dept: 52 cm
Height: 56 cm



NEW FORM
Width: 52 cm
Dept: 52 cm
Height: 56 cm



TWELL
Width: 51 cm
Dept: 48 cm
Height: 66 cm



MOON
Width: 52 cm
Dept: 52 cm
Height: 56 cm



PARIS
Width: 50 cm
Dept: 45 cm
Height: 61 cm



STELLA
Width: 49 cm
Dept: 50 cm
Height: 47 cm



FULL SIZE 2
Width: 51 cm
Dept: 52 cm
Height: 56 cm



FULL SIZE 4
Width: 51 cm
Dept: 52 cm
Height: 56 cm



FULL SIZE LEAF
Width: 57 cm
Dept: 52 cm
Height: 53 cm



RAINBOW
Width: 52 cm
Dept: 48 cm
Height: 39 cm



RABBIT
Width: 42 cm
Dept: 42 cm
Height: 53 cm



SILENT NIGHT
Height: 62 cm
Diameter: 46 cm



FULL SIZE 5
Width: 51 cm
Dept: 51 cm
Height: 52 cm



Benches



NEW FORM

Width: 168 cm
Dept: 47 cm
Height: 44 cm



SOFFIA

Width: 162 cm
Dept: 42 cm
Height: 45 cm



STELLA

Width: 163 cm
Dept: 42 cm
Height: 45 cm



SPECIAL MOD

Width: 154 cm
Dept: 50 cm
Height: 50 cm



MOON

Width: 161 cm
Dept: 42 cm
Height: 44 cm



SILENT NIGHT

Width: 162 cm
Dept: 46 cm
Height: 40 cm



KING MASTER

Width: 155 cm
Dept: 48 cm
Height: 50 cm



WRINKLE

Width: 162 cm
Dept: 42 cm
Height: 45 cm



SIGNATURE

Width: 162 cm
Dept: 42 cm
Height: 45 cm





VEGA
Color: Gold
Height: 12 cm



VEGA
Color: Silver
Height: 12 cm



VEGA
Color: Black
Height: 12 cm



MILA
Color: Gold
Height: 12 cm



MILA
Color: Silver
Height: 12 cm



MILA
Color: Black
Height: 12 cm



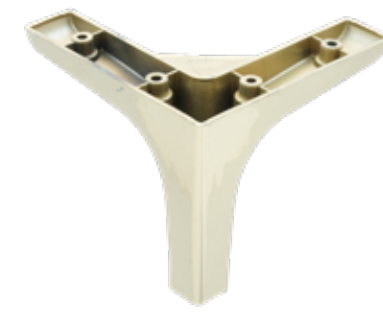
HERA
Color: Gold
Height: 12 cm



HERA
Color: Silver
Height: 12 cm



HERA
Color: Black
Height: 12 cm



MODA
Color: Gold
Height: 12 cm



MODA
Color: Silver
Height: 12 cm



MODA
Color: Black
Height: 12 cm



FABRIC
Color: Optional
Height: 12 cm



WOOD
Color: Walnut
Height: 12 cm



POLY
Color: Brown
Height: 12 cm

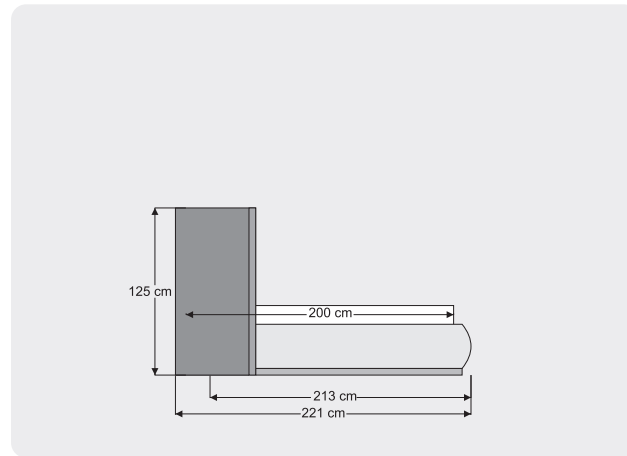
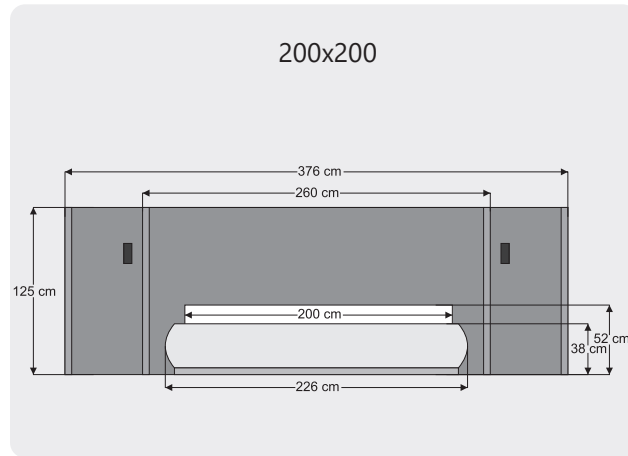
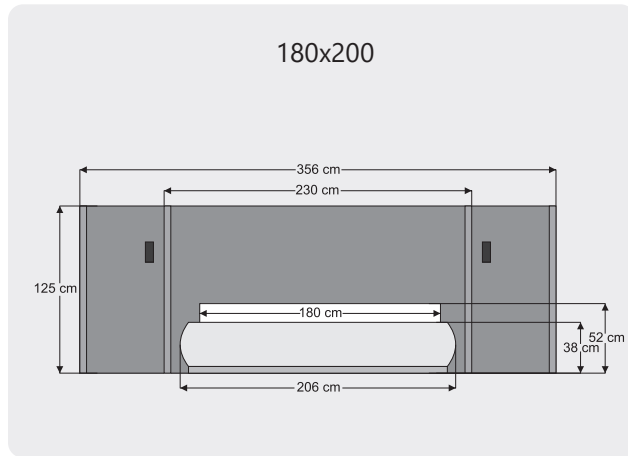
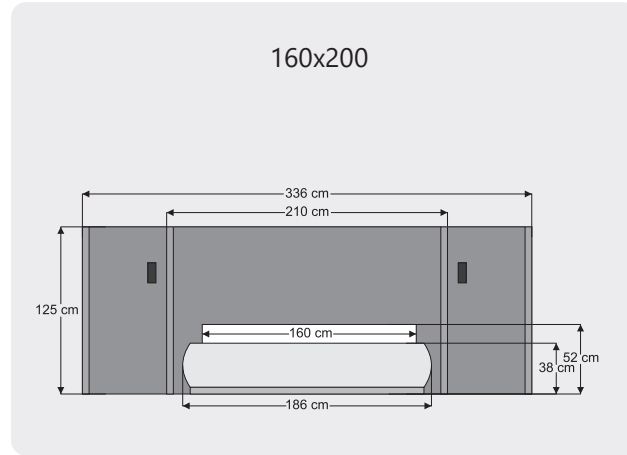
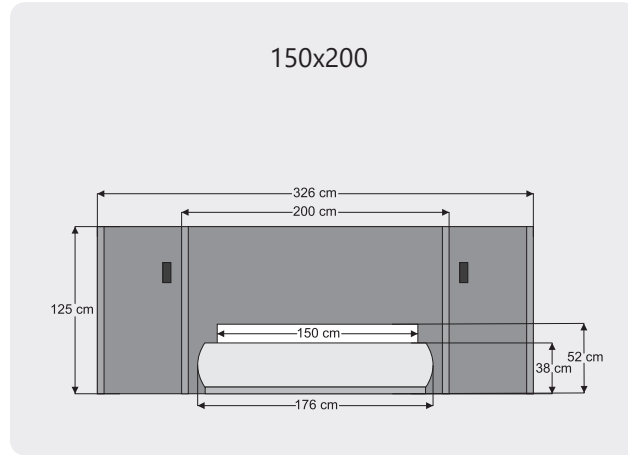
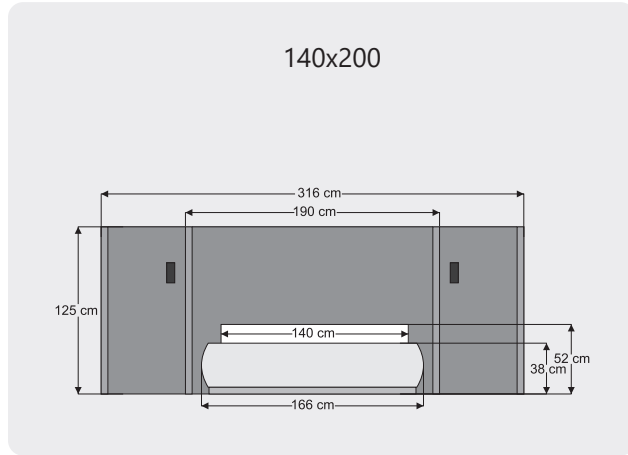


POLY
Color: White
Height: 12 cm

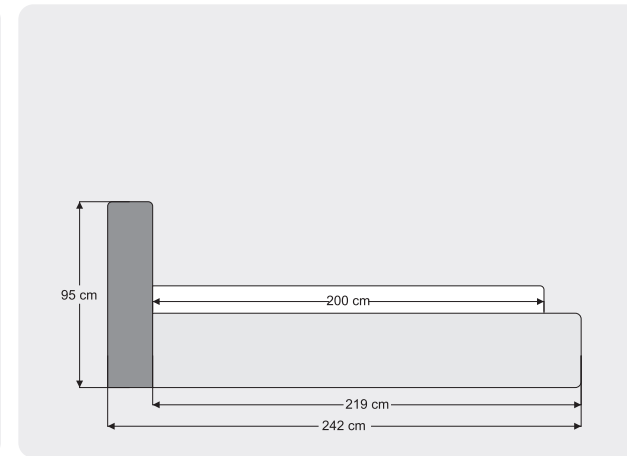
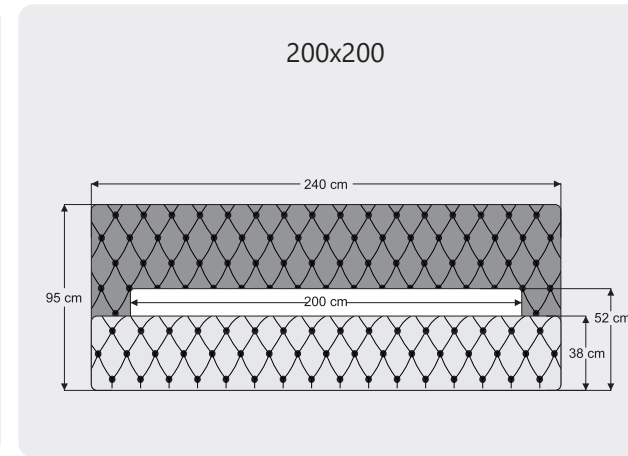
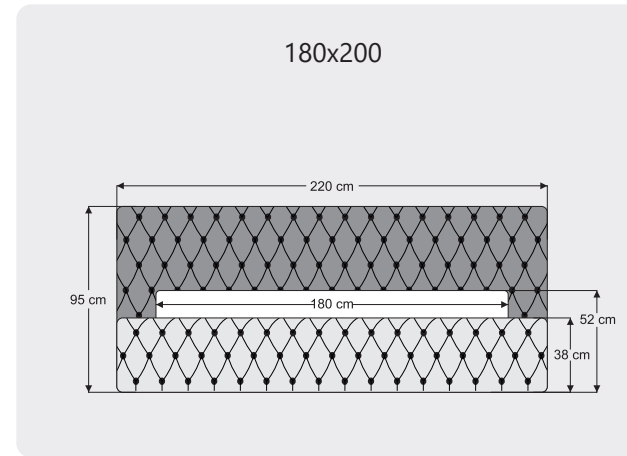
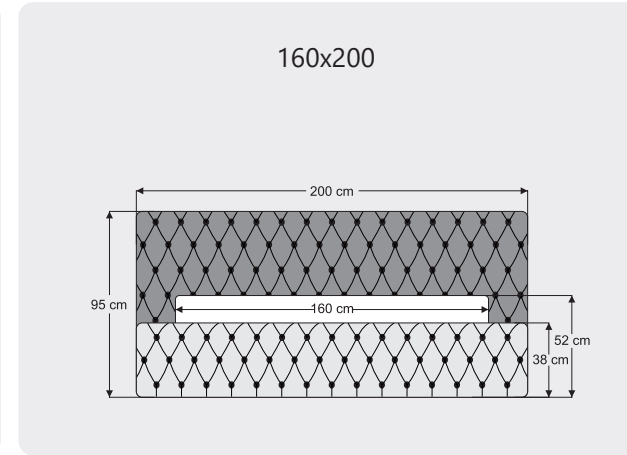
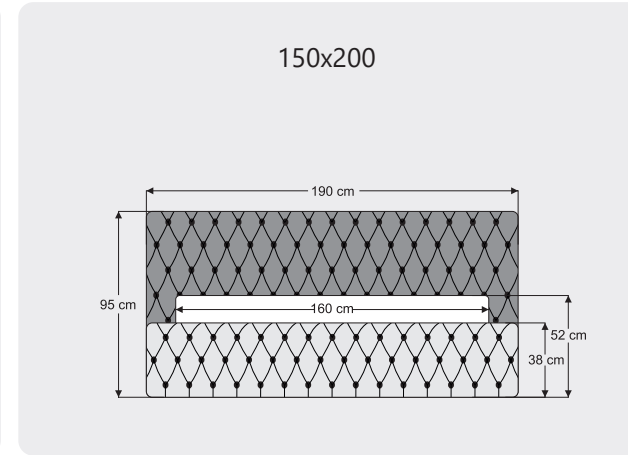
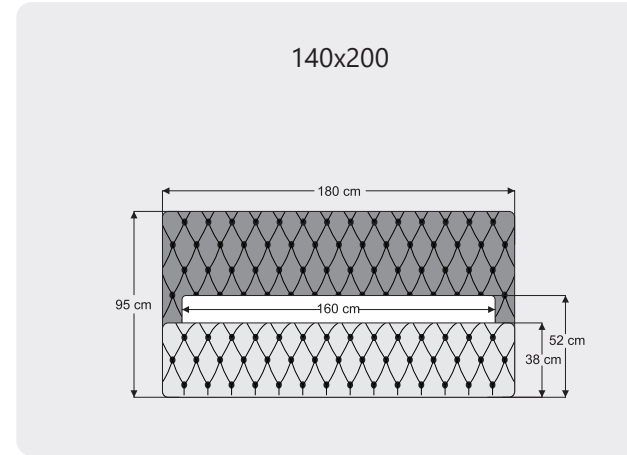


BOHEM
Color: walnut
Height: 12 cm

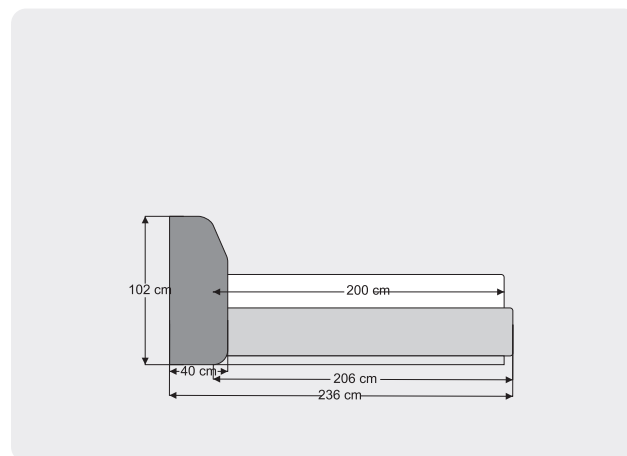
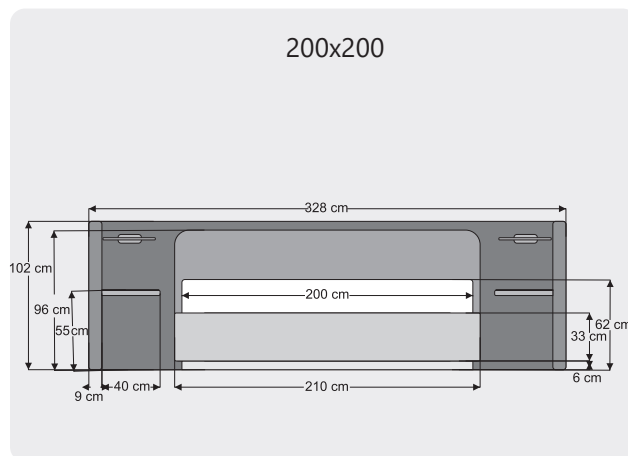
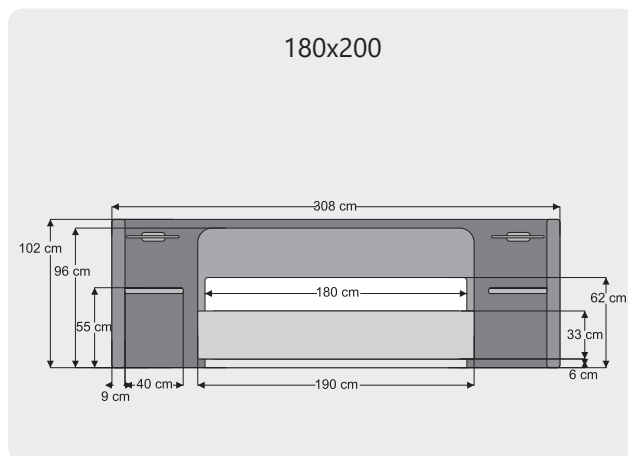
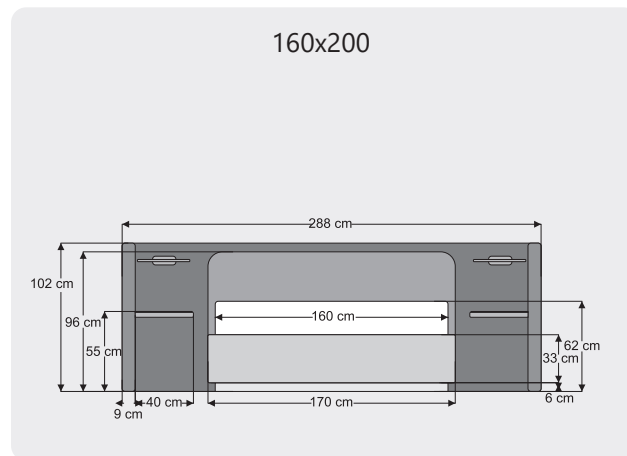
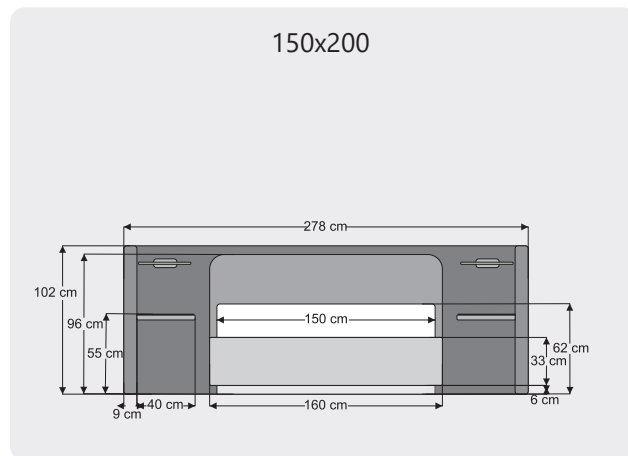
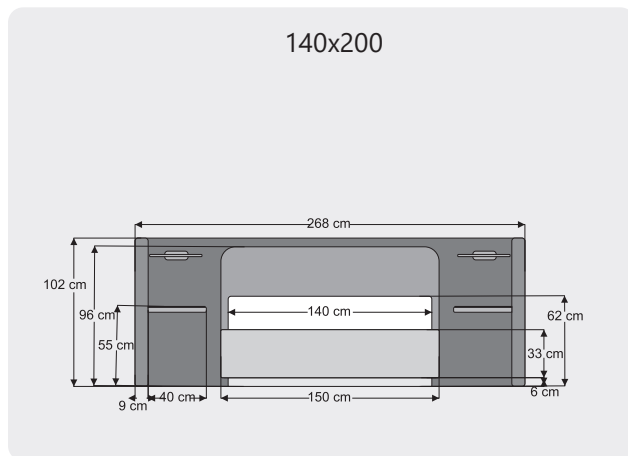
Paris



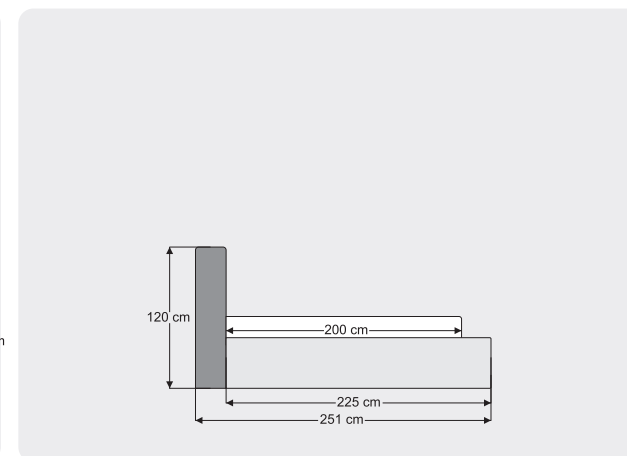
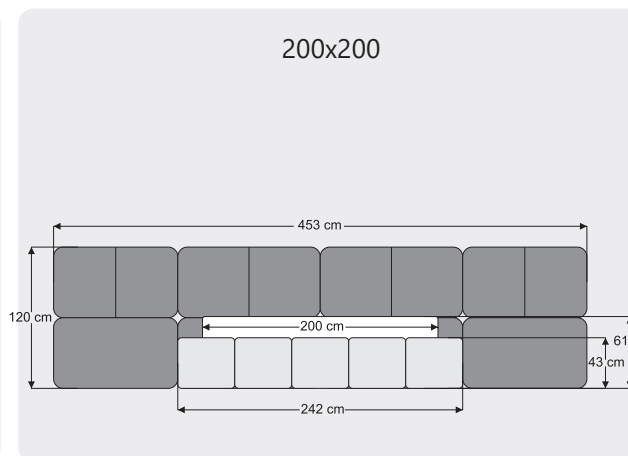
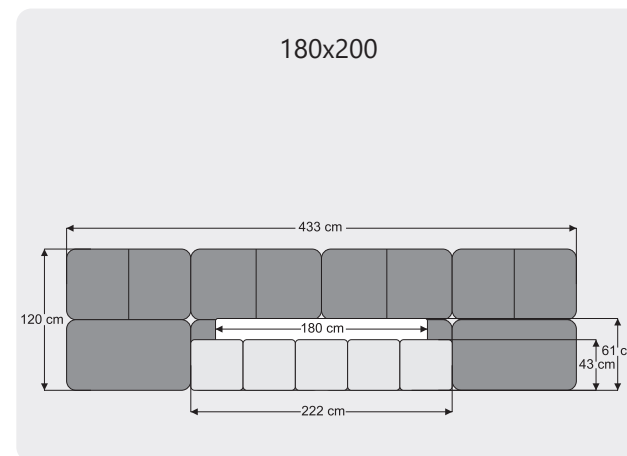
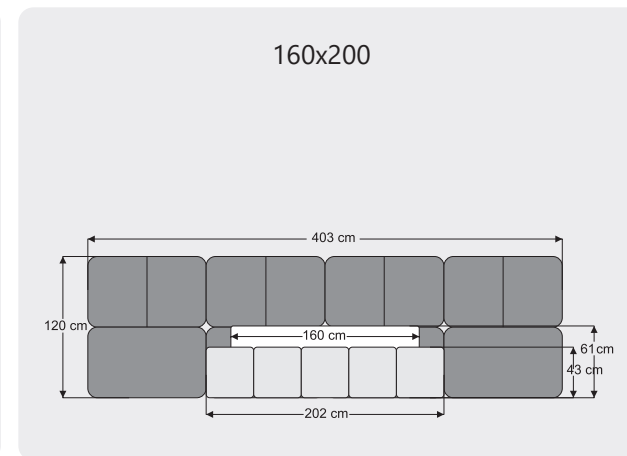
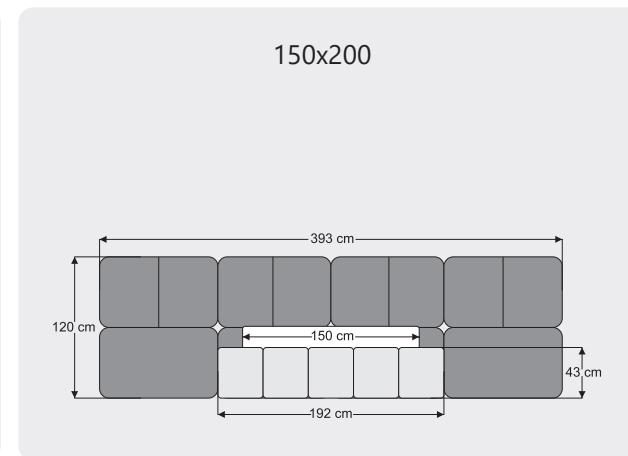
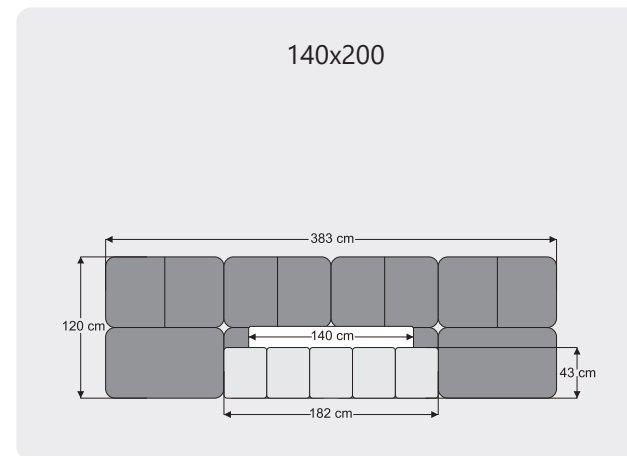
Manchester



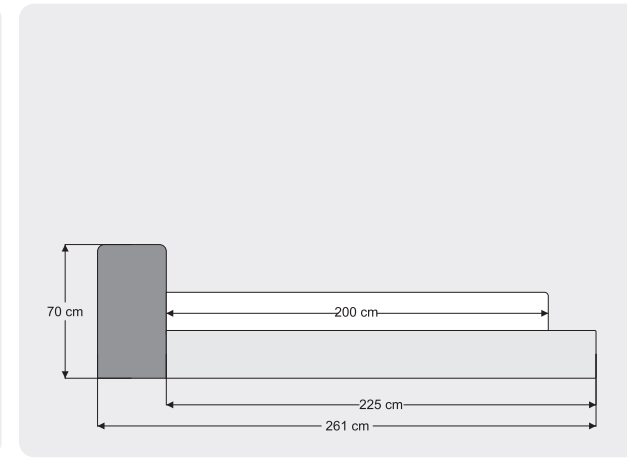
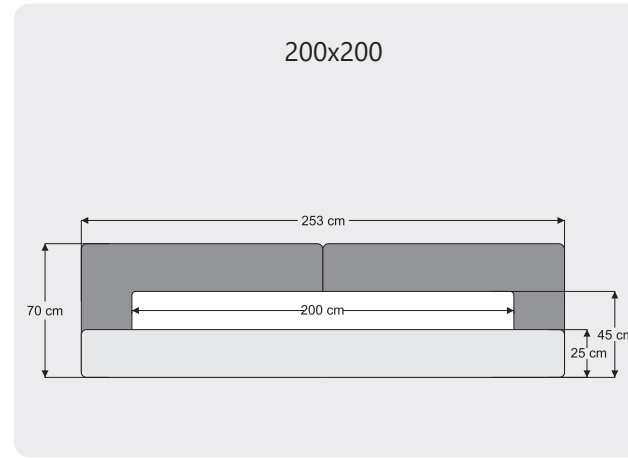
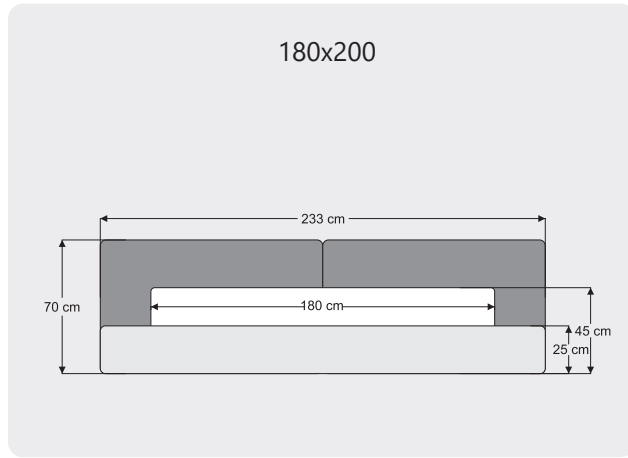
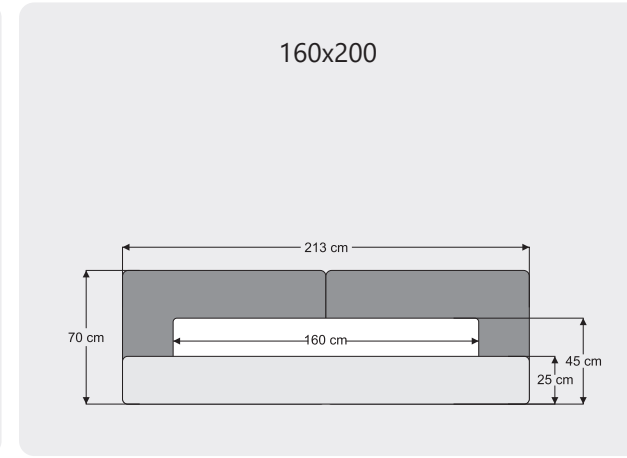
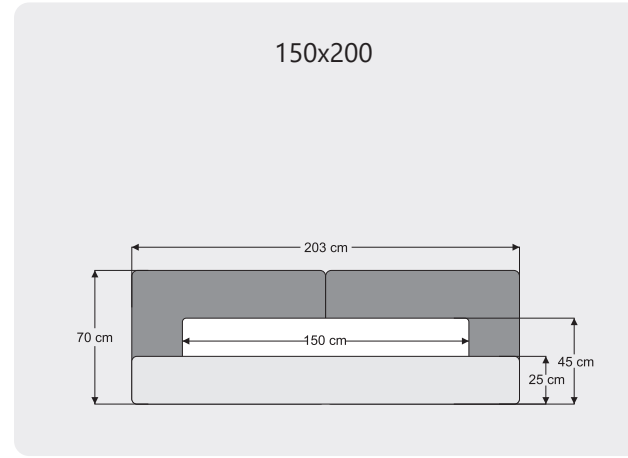
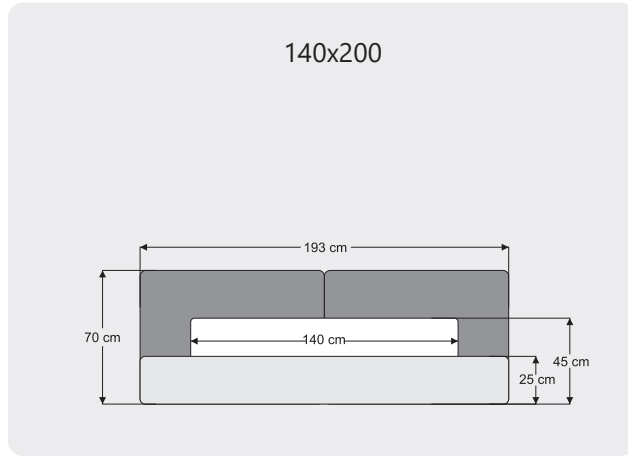
Enzo



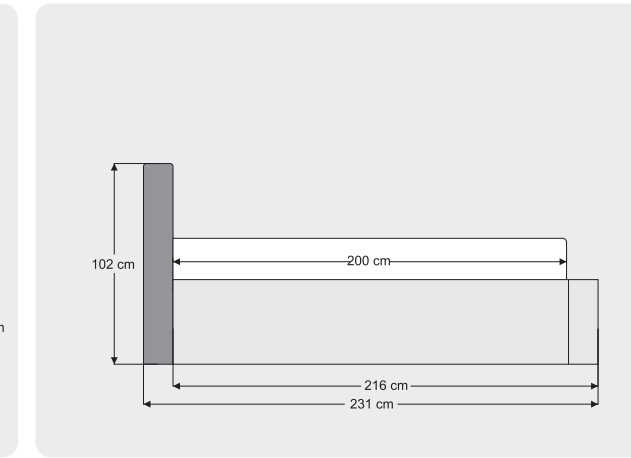
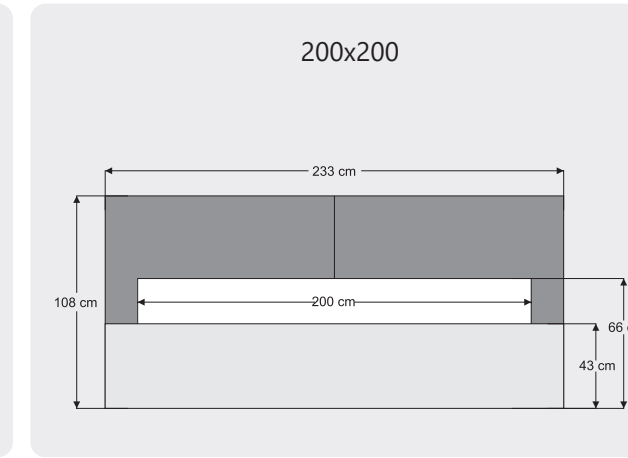
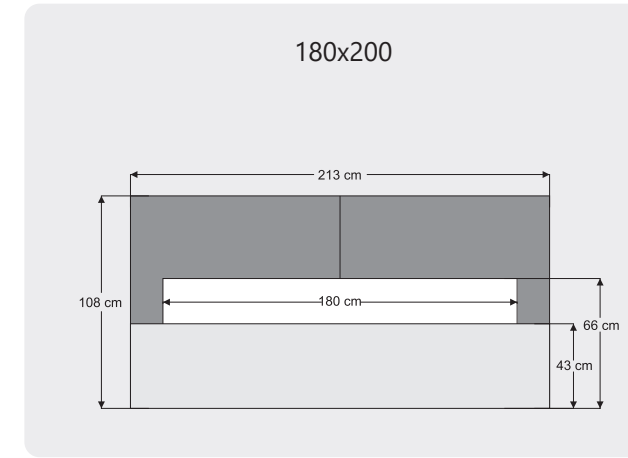
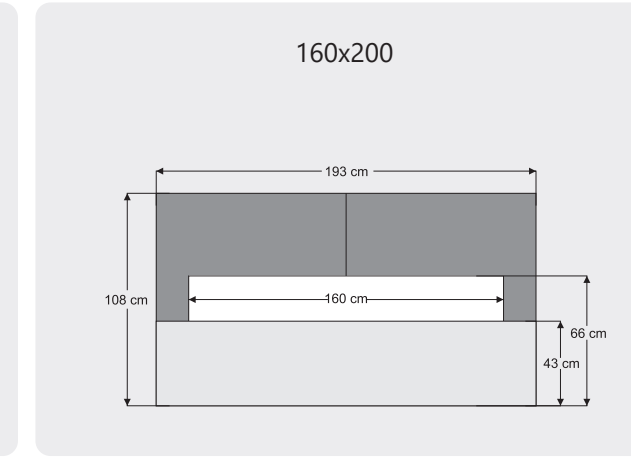
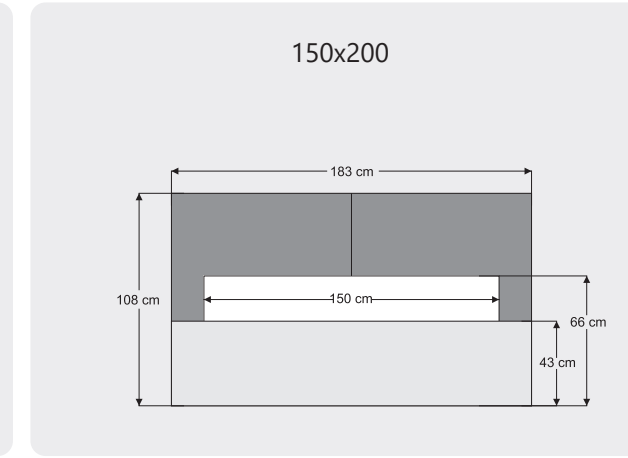
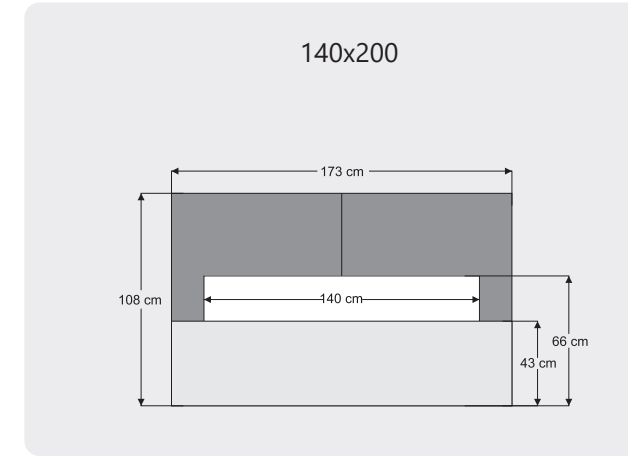
Cube



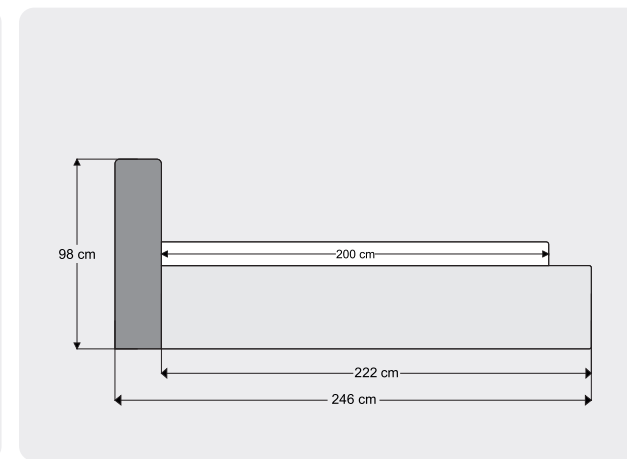
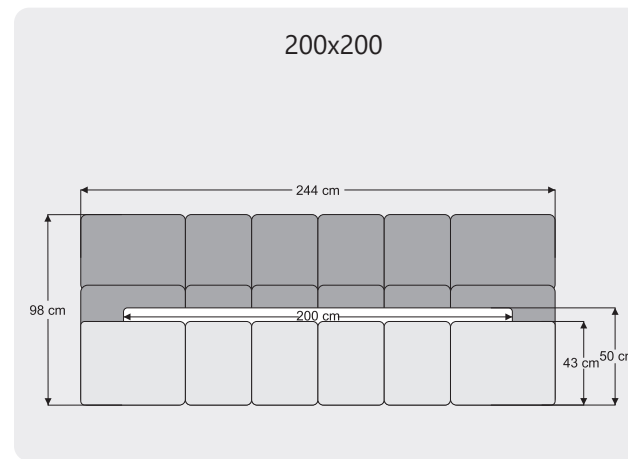
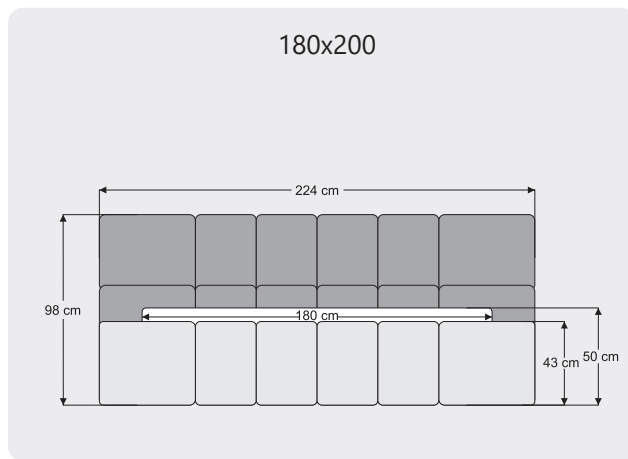
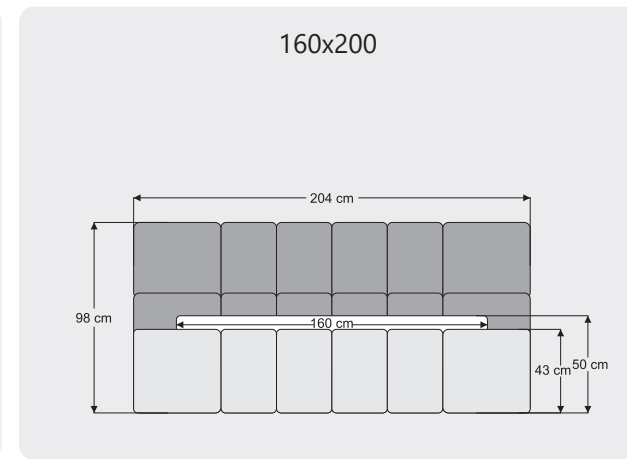
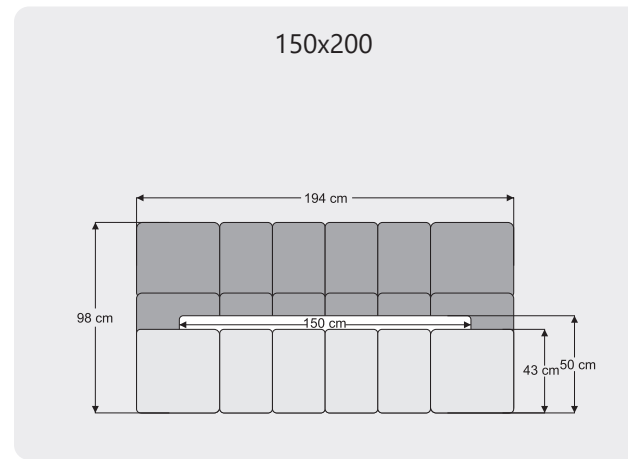
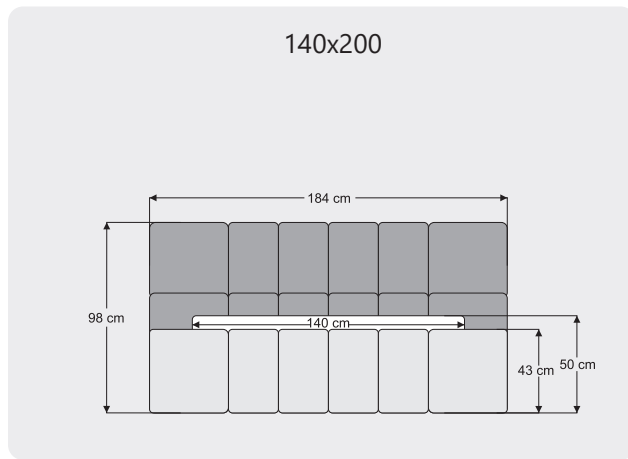
Loft



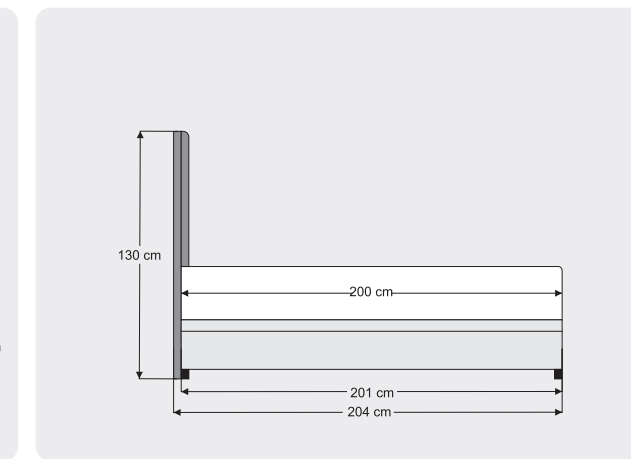
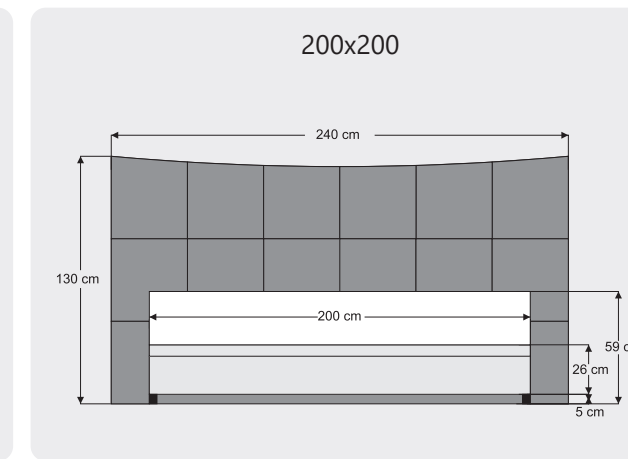
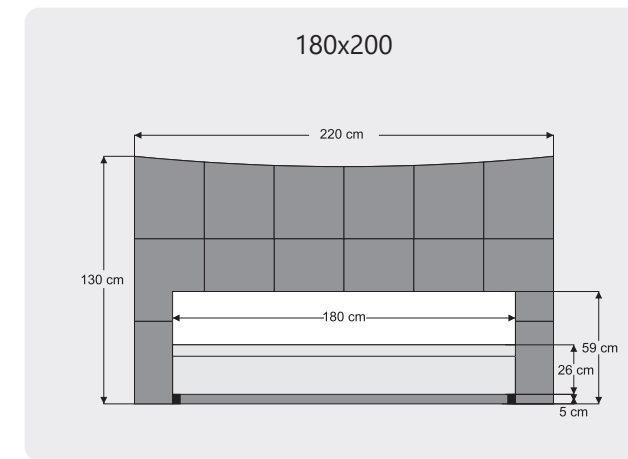
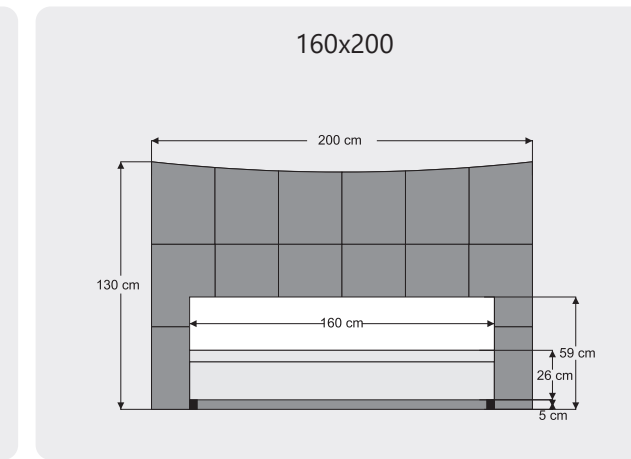
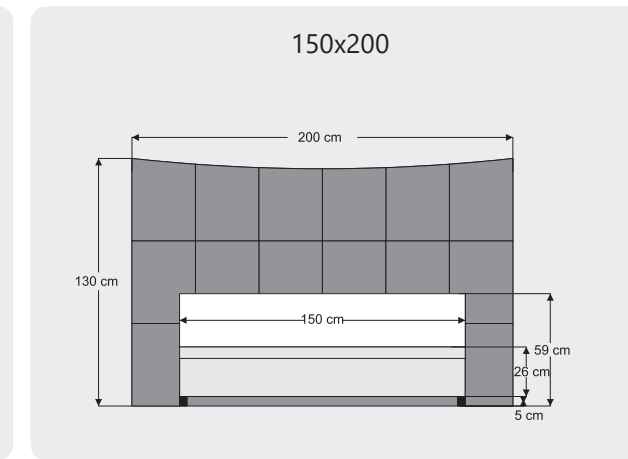
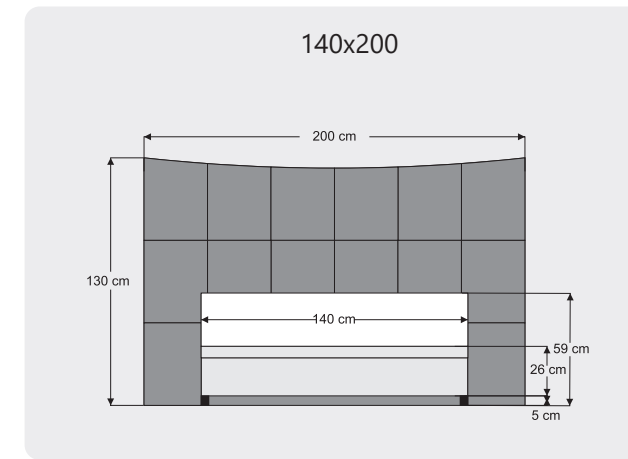
Roma



Tokyo



Madrid



Full Size 01

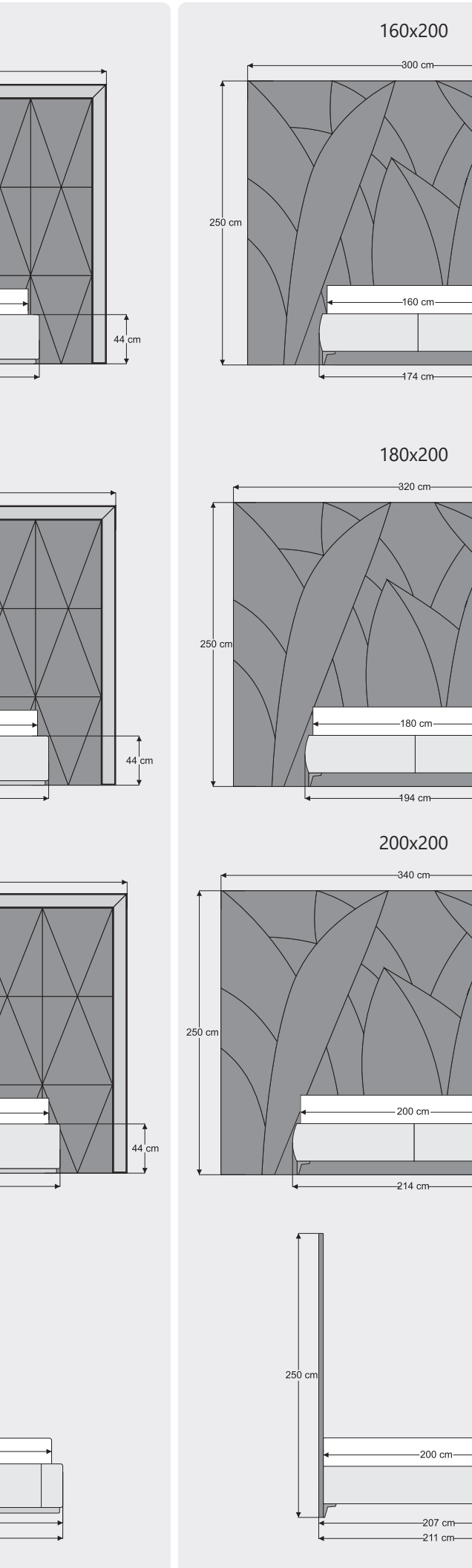
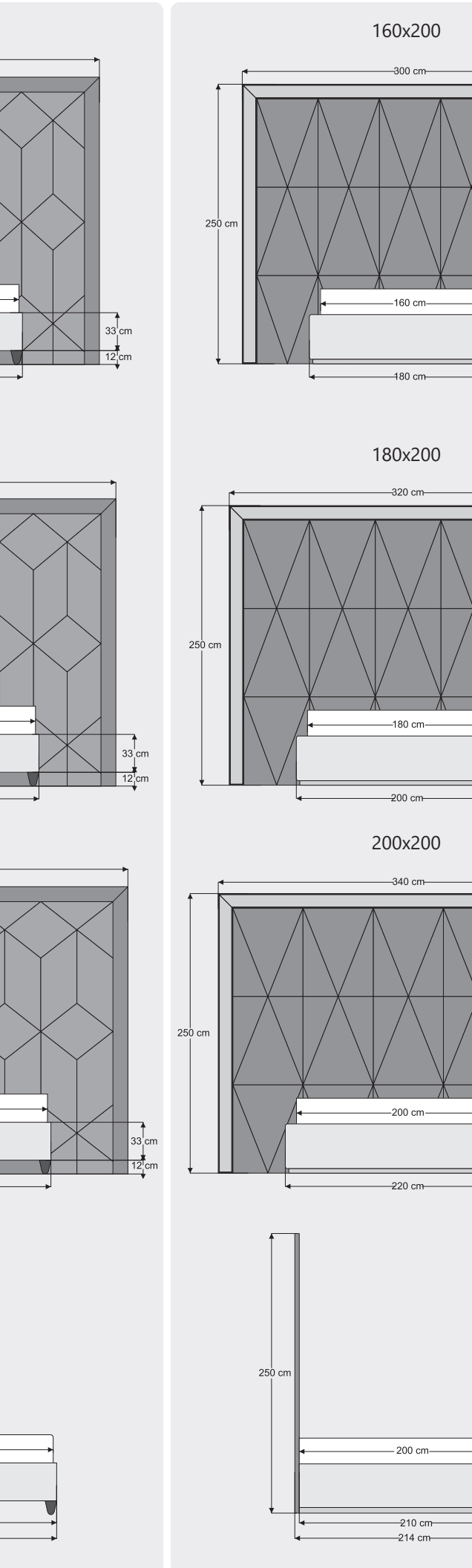
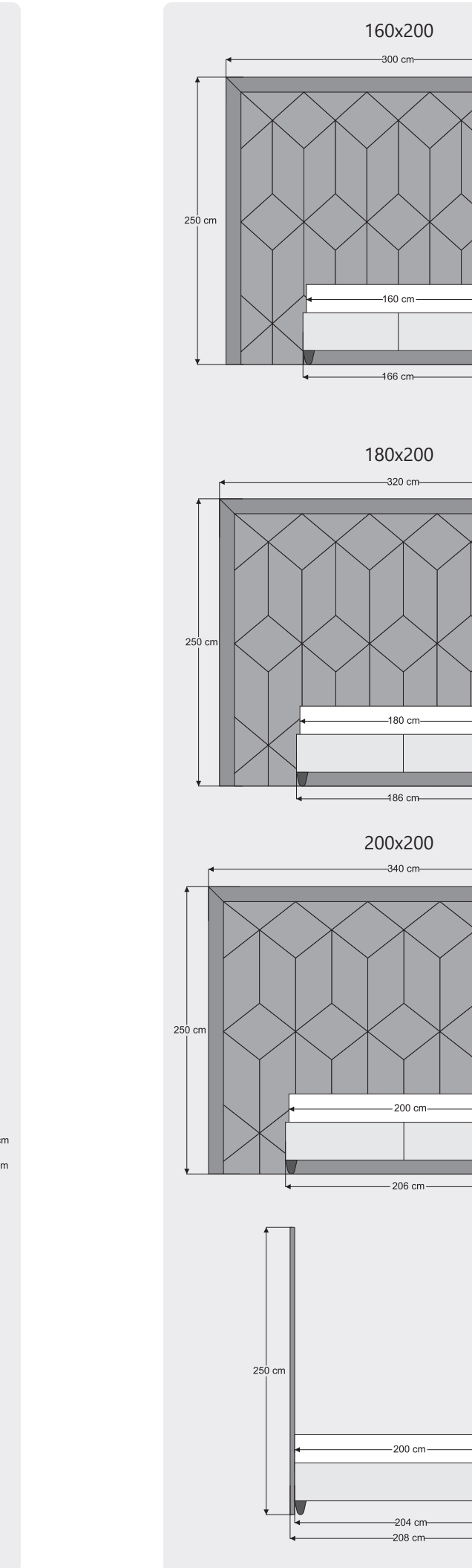
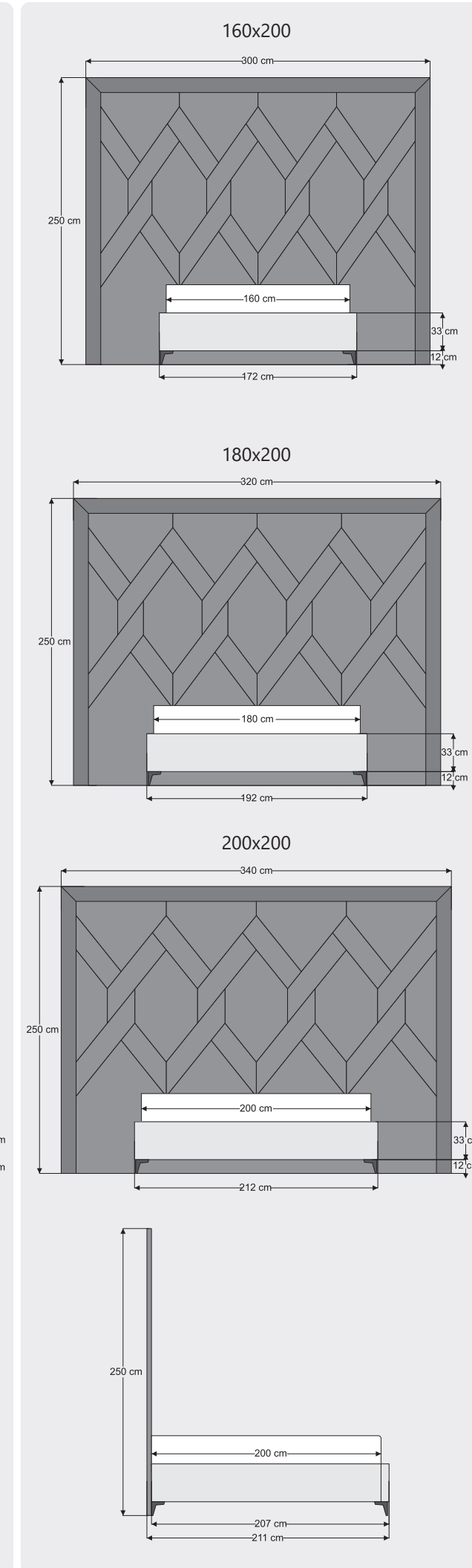
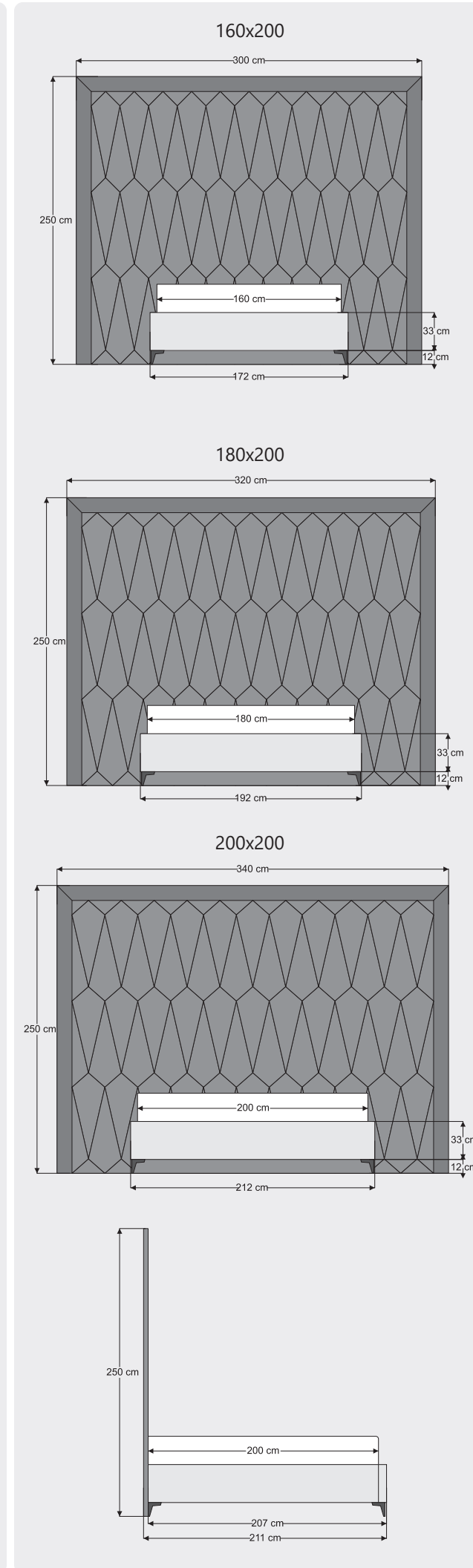
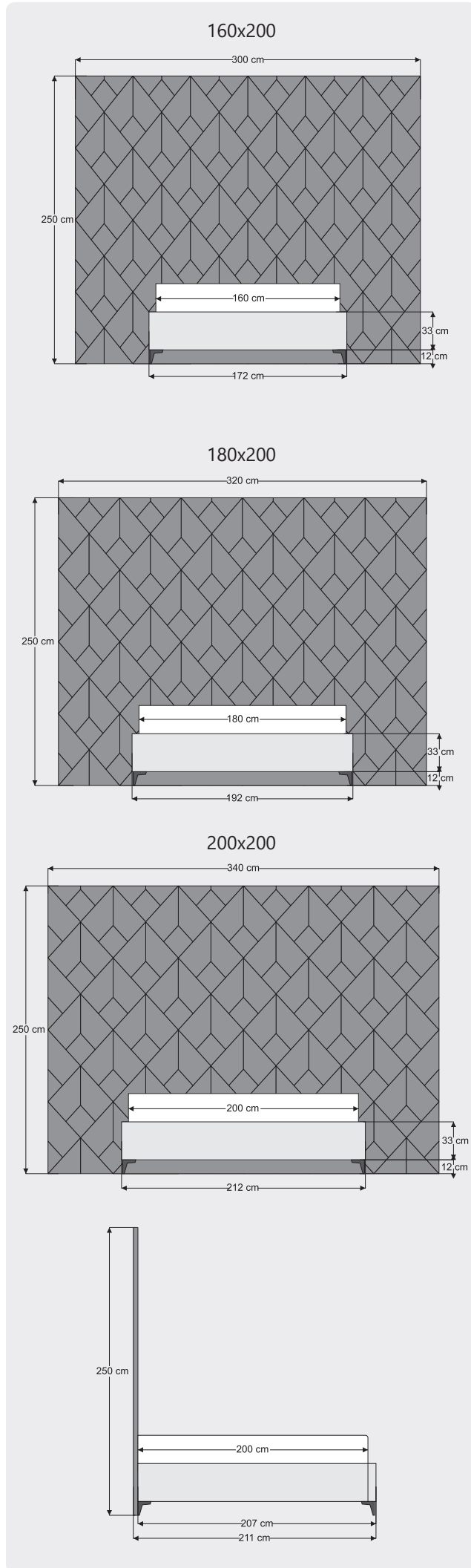
Full Size 02

Full Size 03

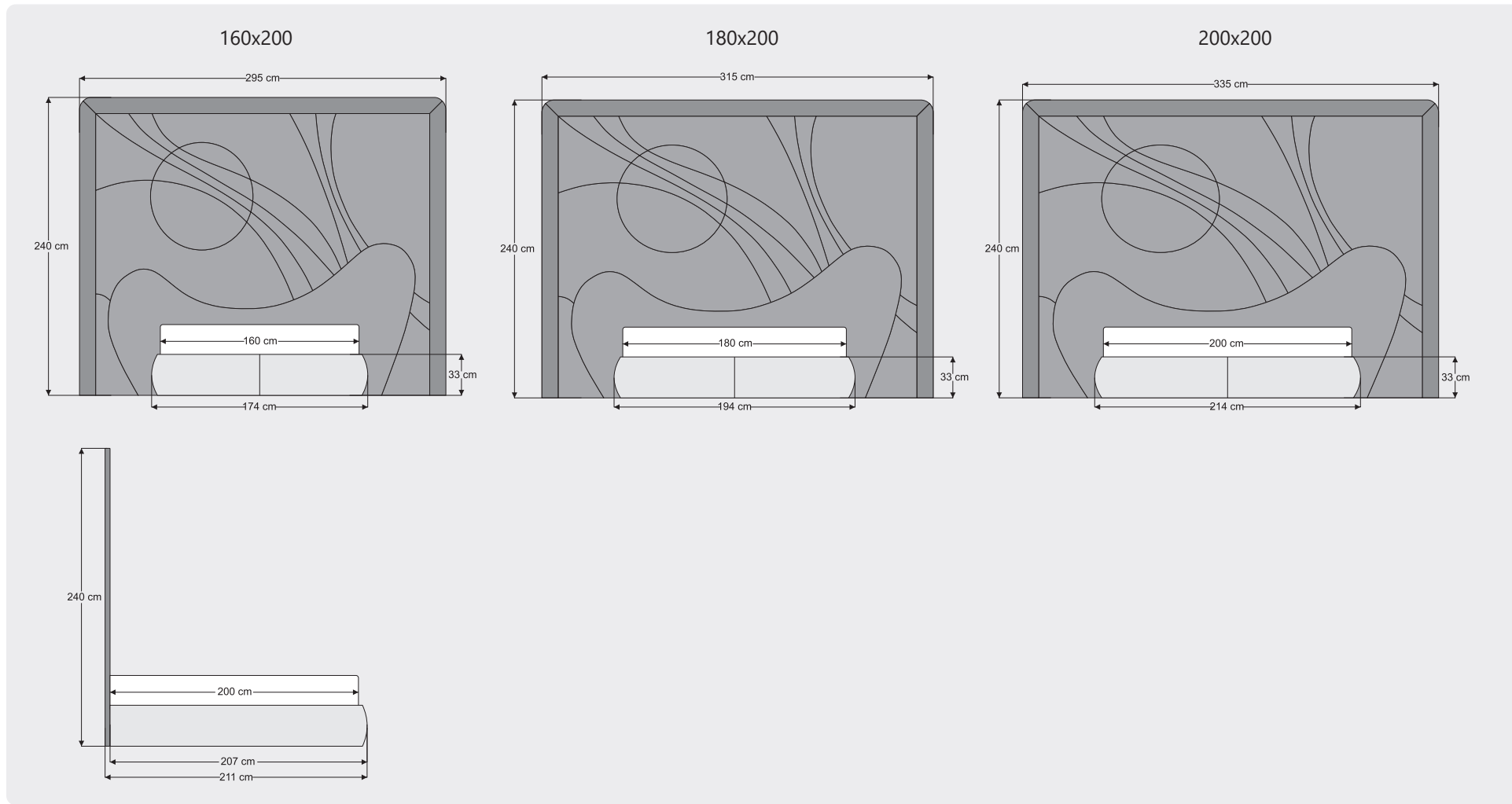
Full Size 04

Full Size 05

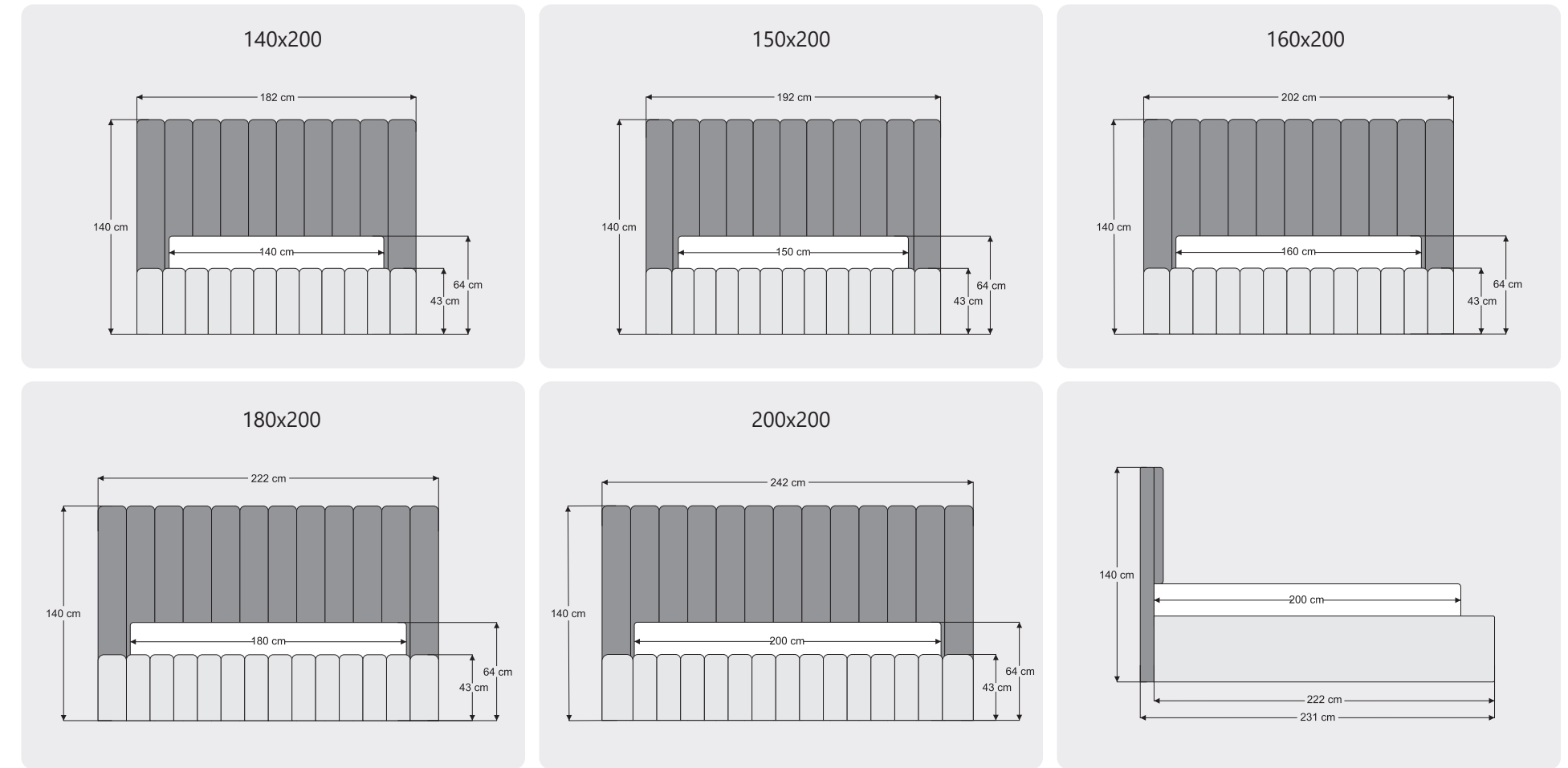
Full Size Leaf



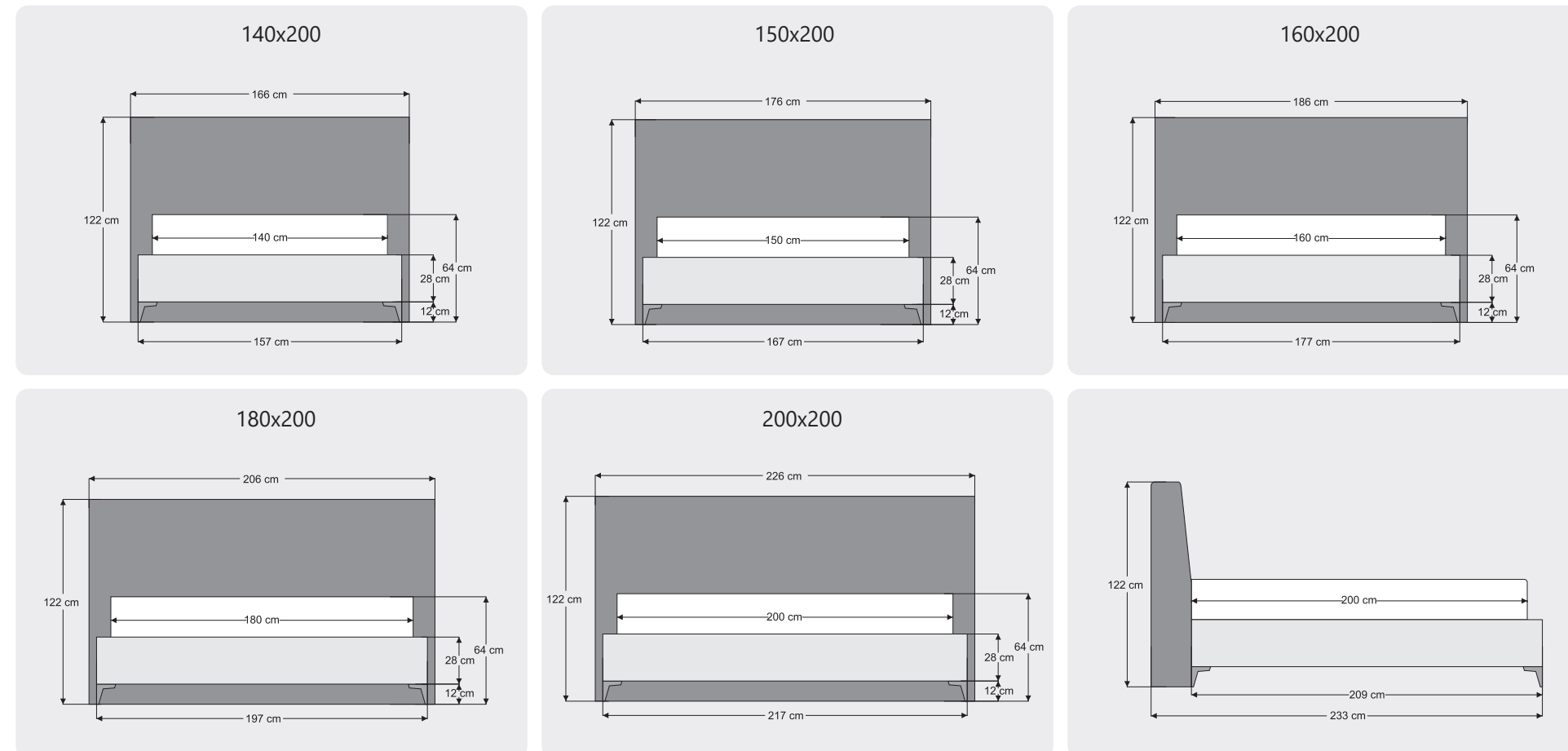
Full Size Bohem



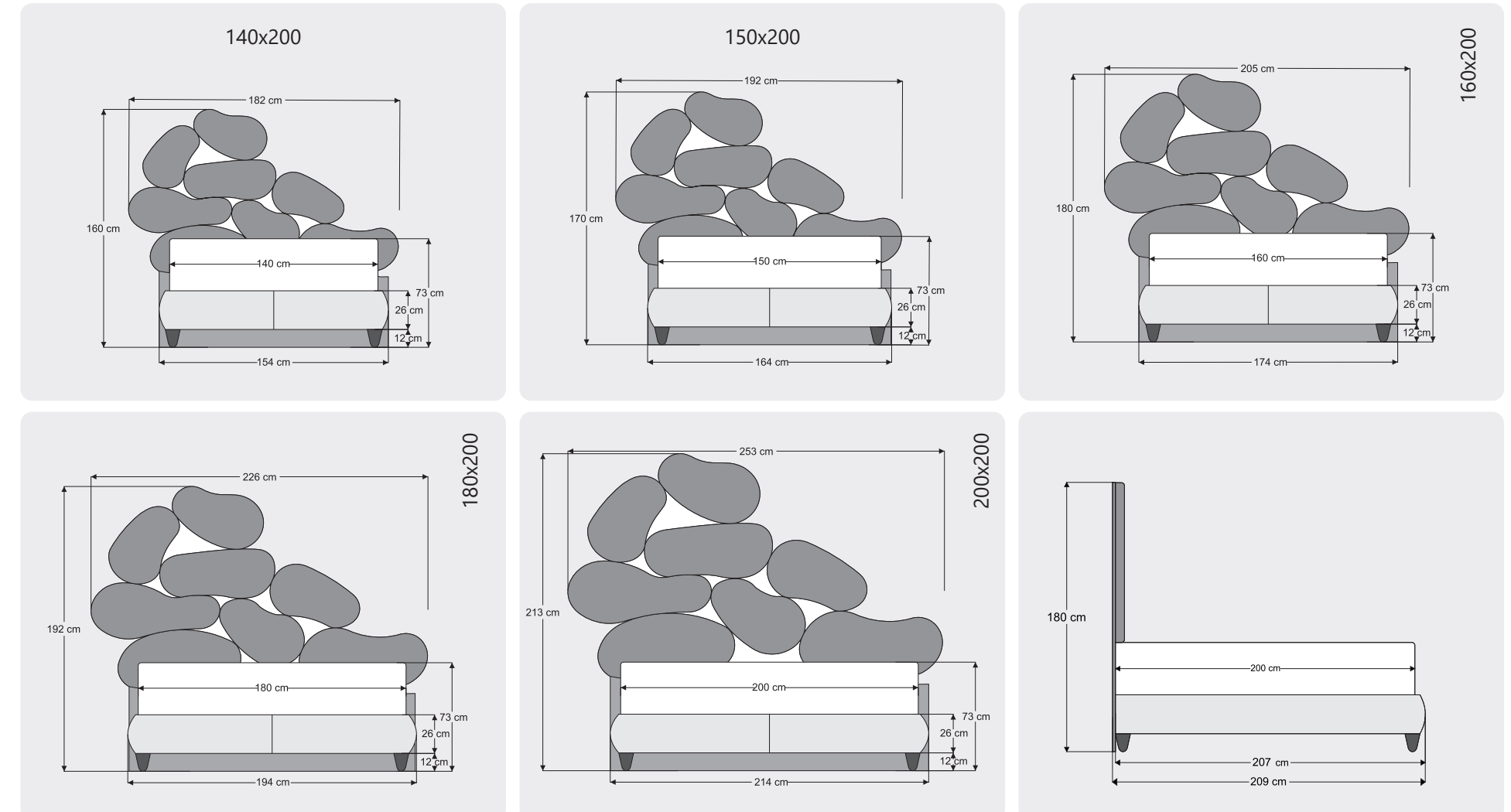
Soffia



Chester



Ocean

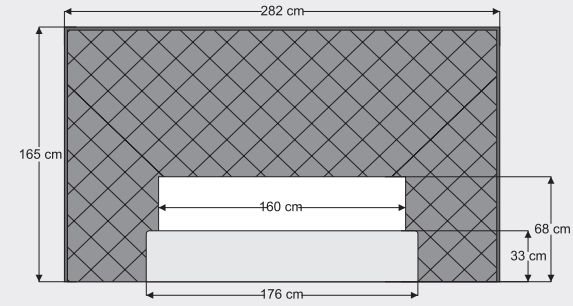


Twell TV

140x200

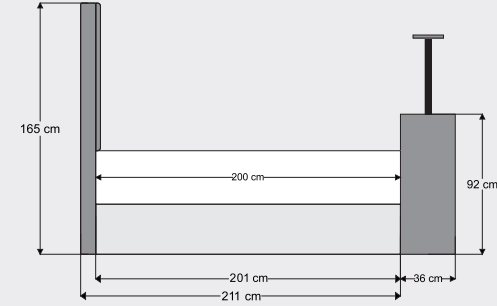
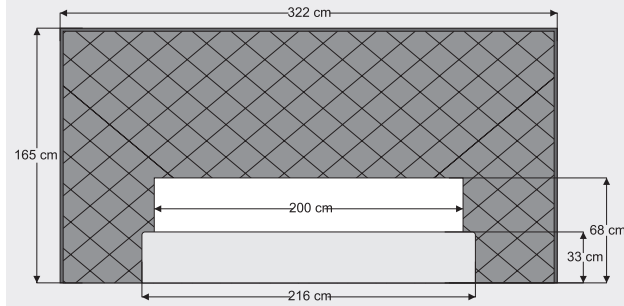
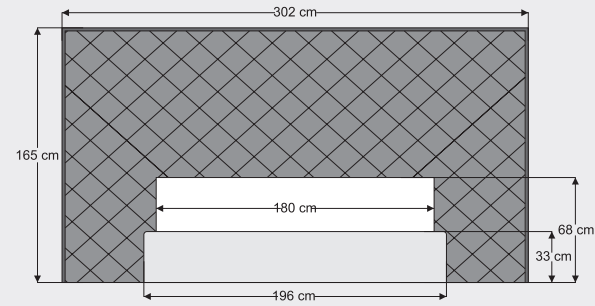
150x200

160x200



180x200

200x200

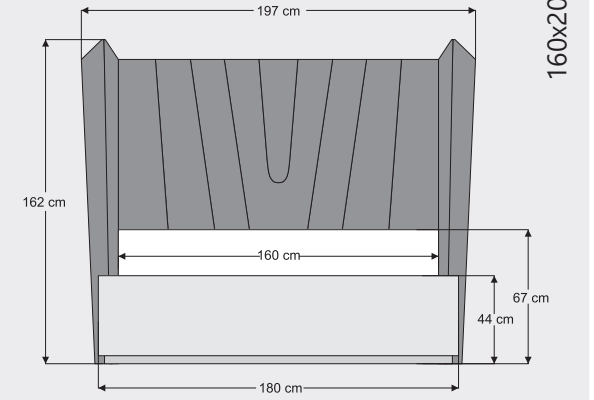
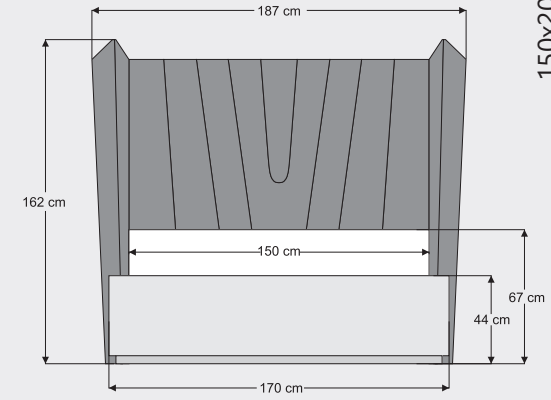
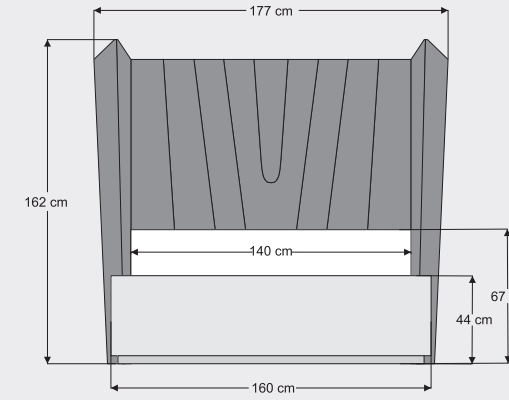


Serene

140x200

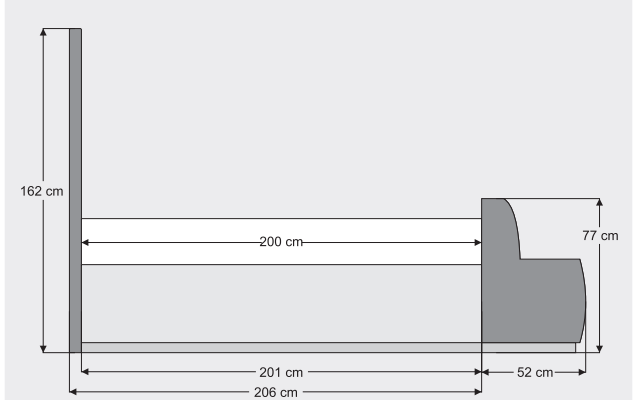
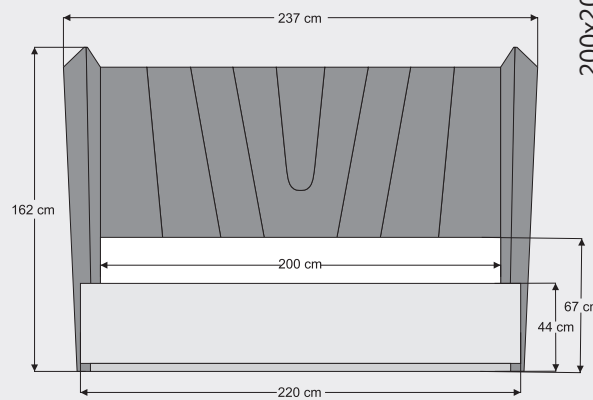
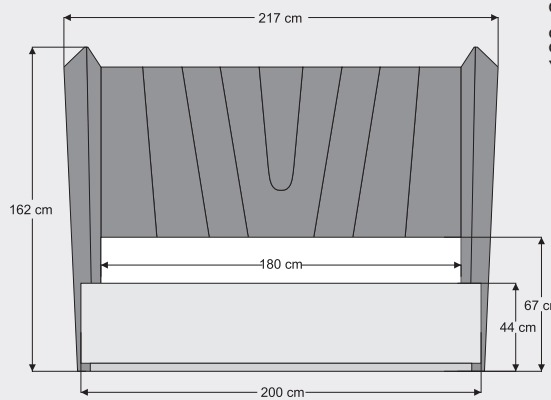
150x200

160x200



180x200

200x200

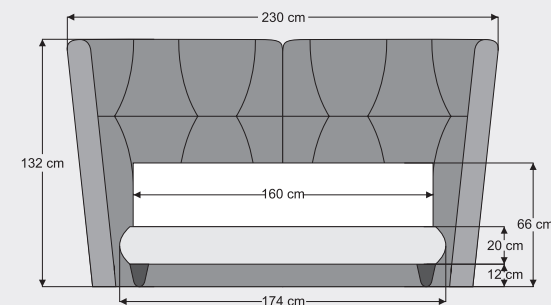
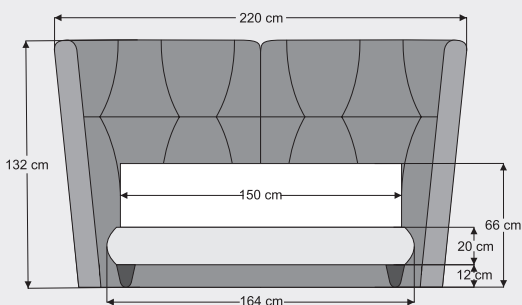
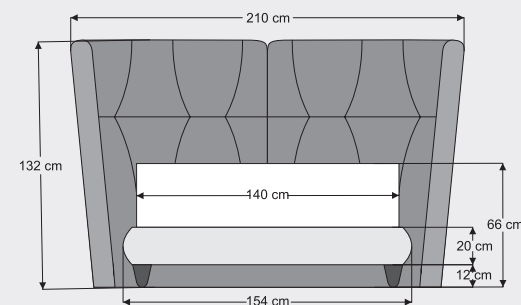


King Master

140x200

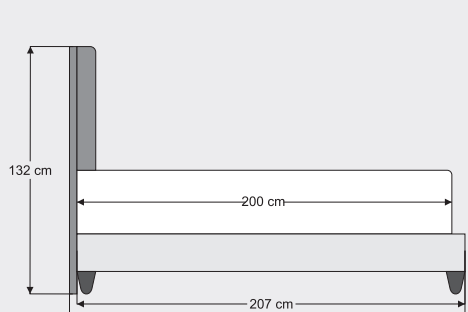
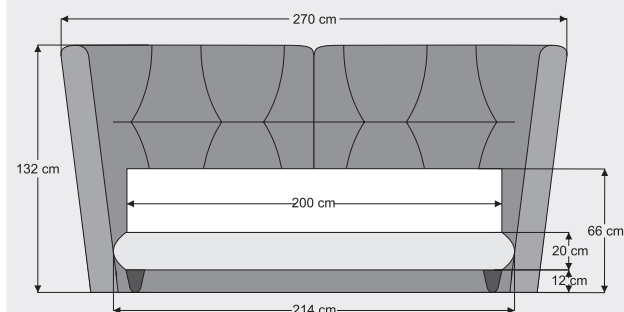
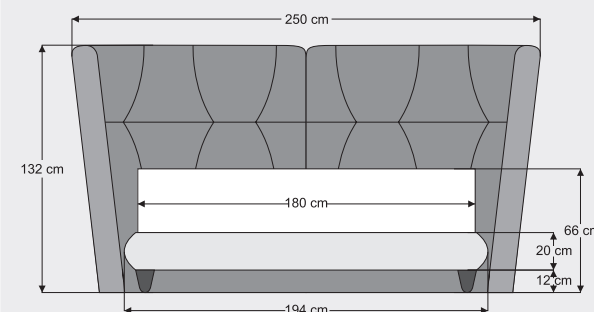
150x200

160x200



180x200

200x200

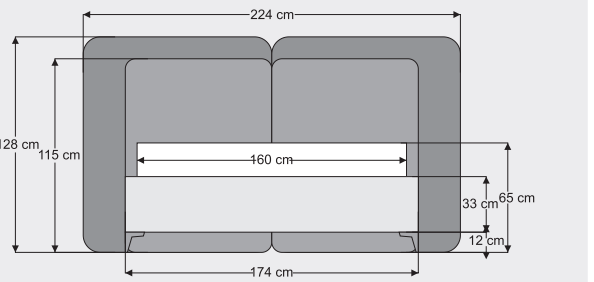
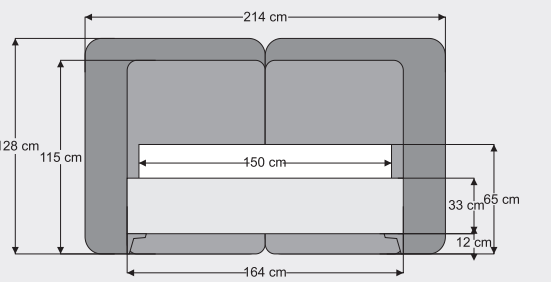
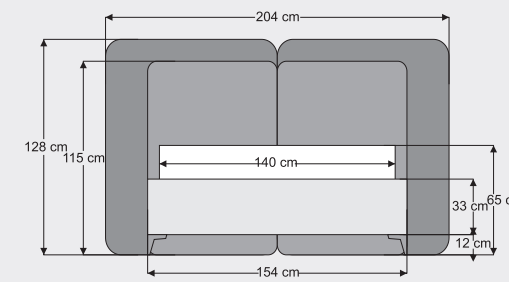


Silent Night

140x200

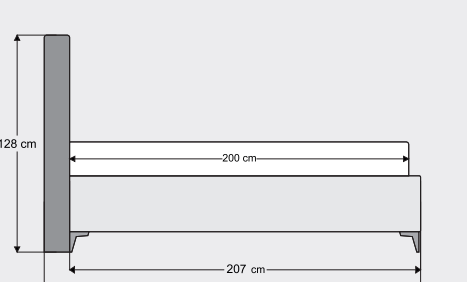
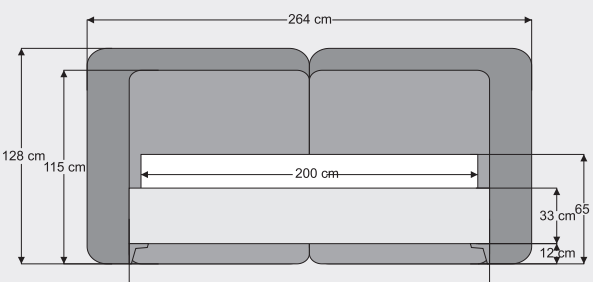
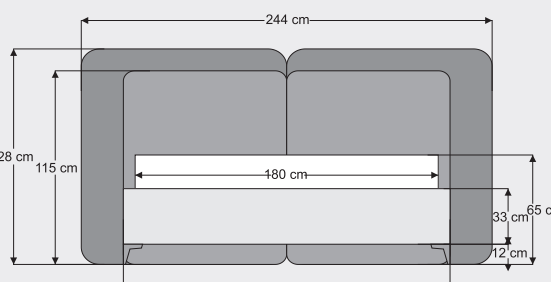
150x200

160x200

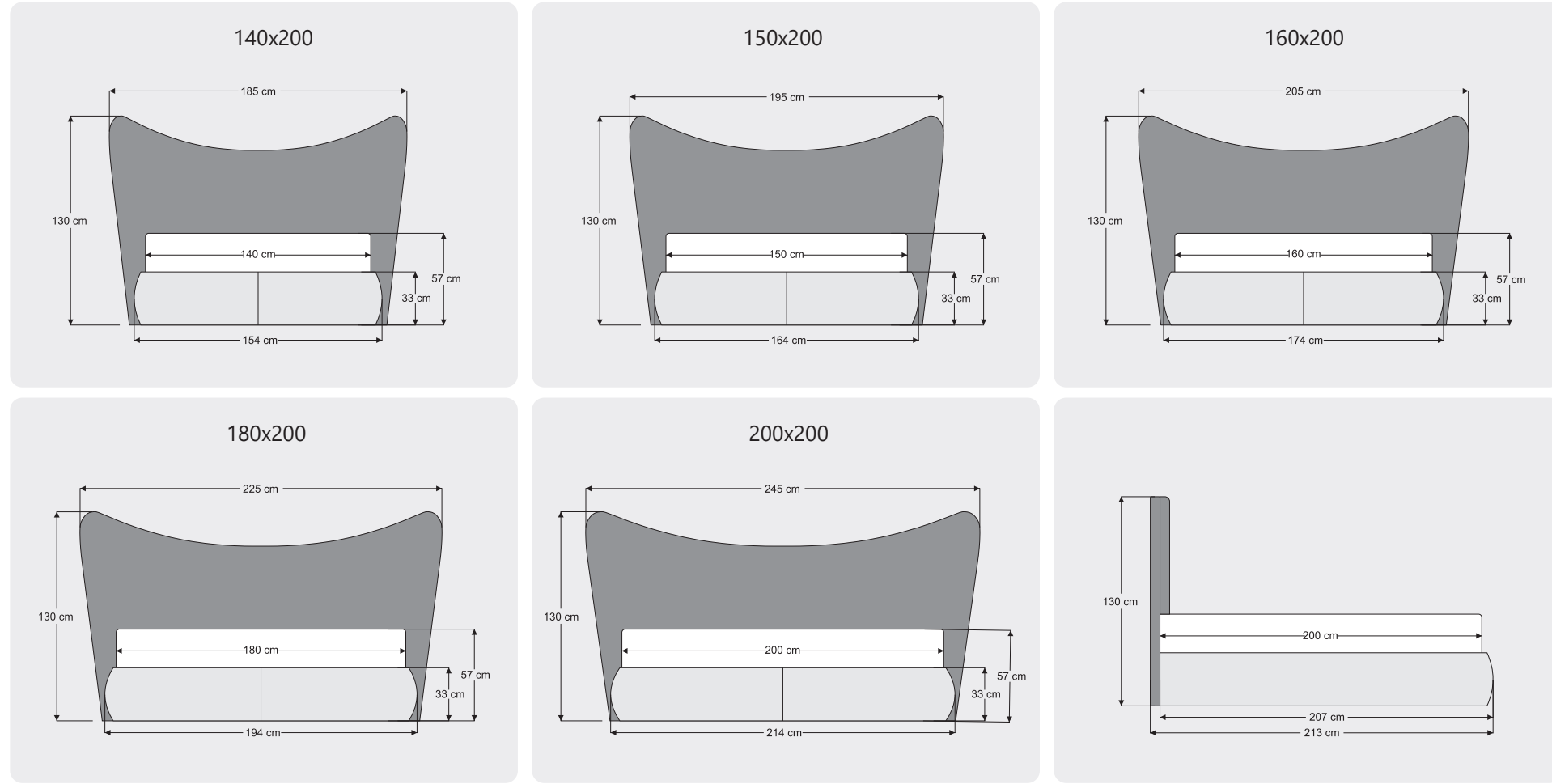


180x200

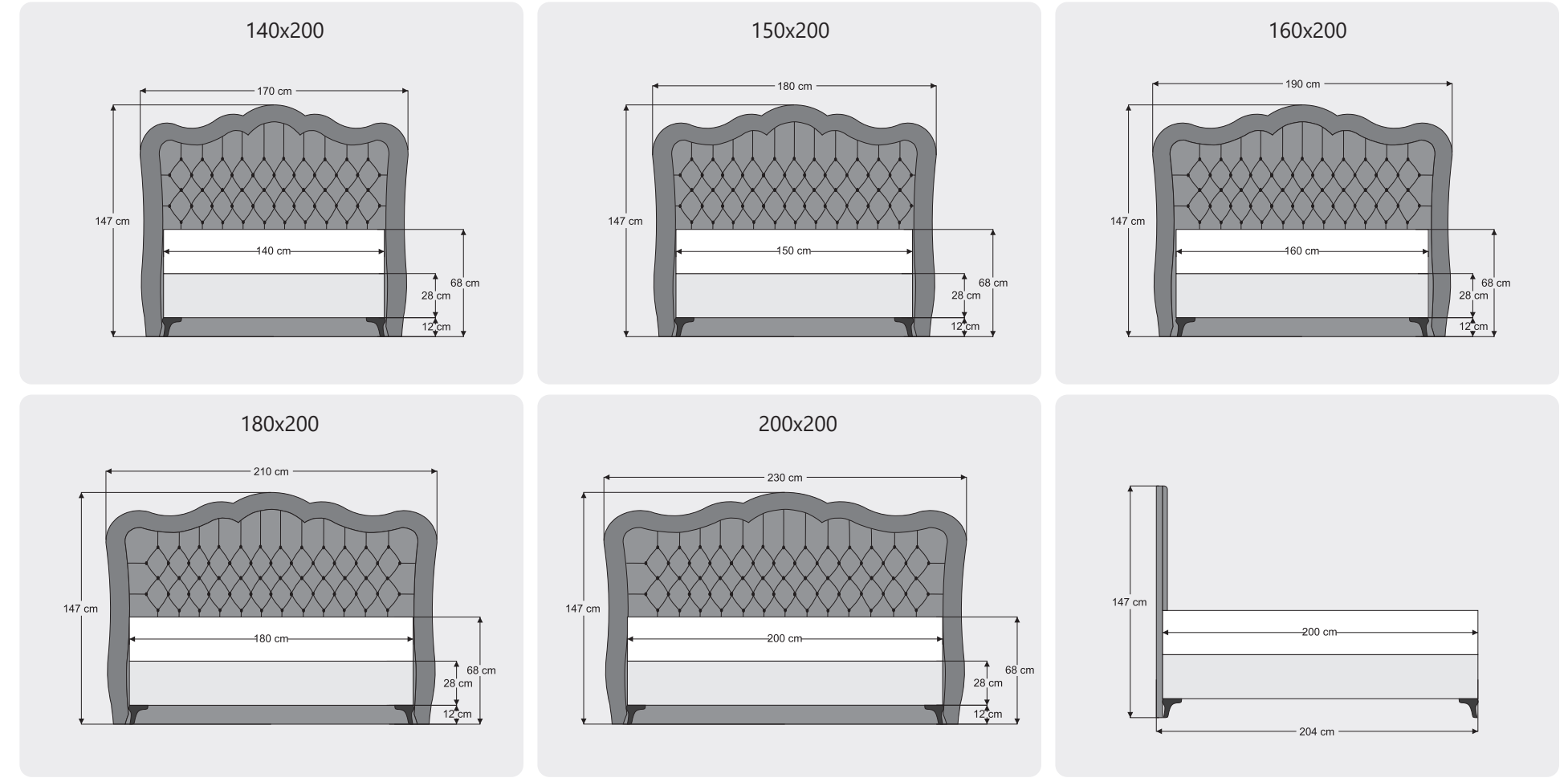
200x200



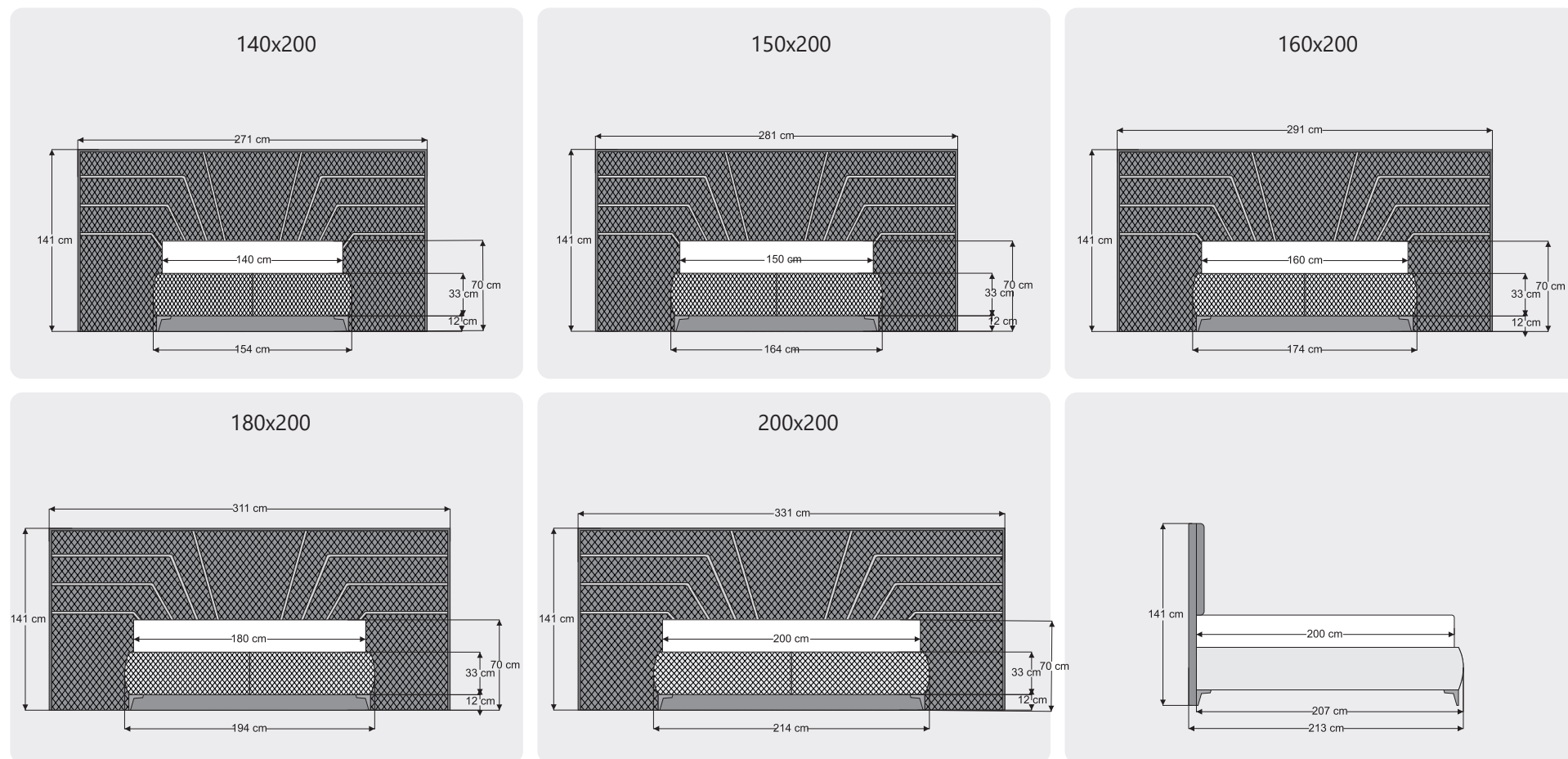
Valeria



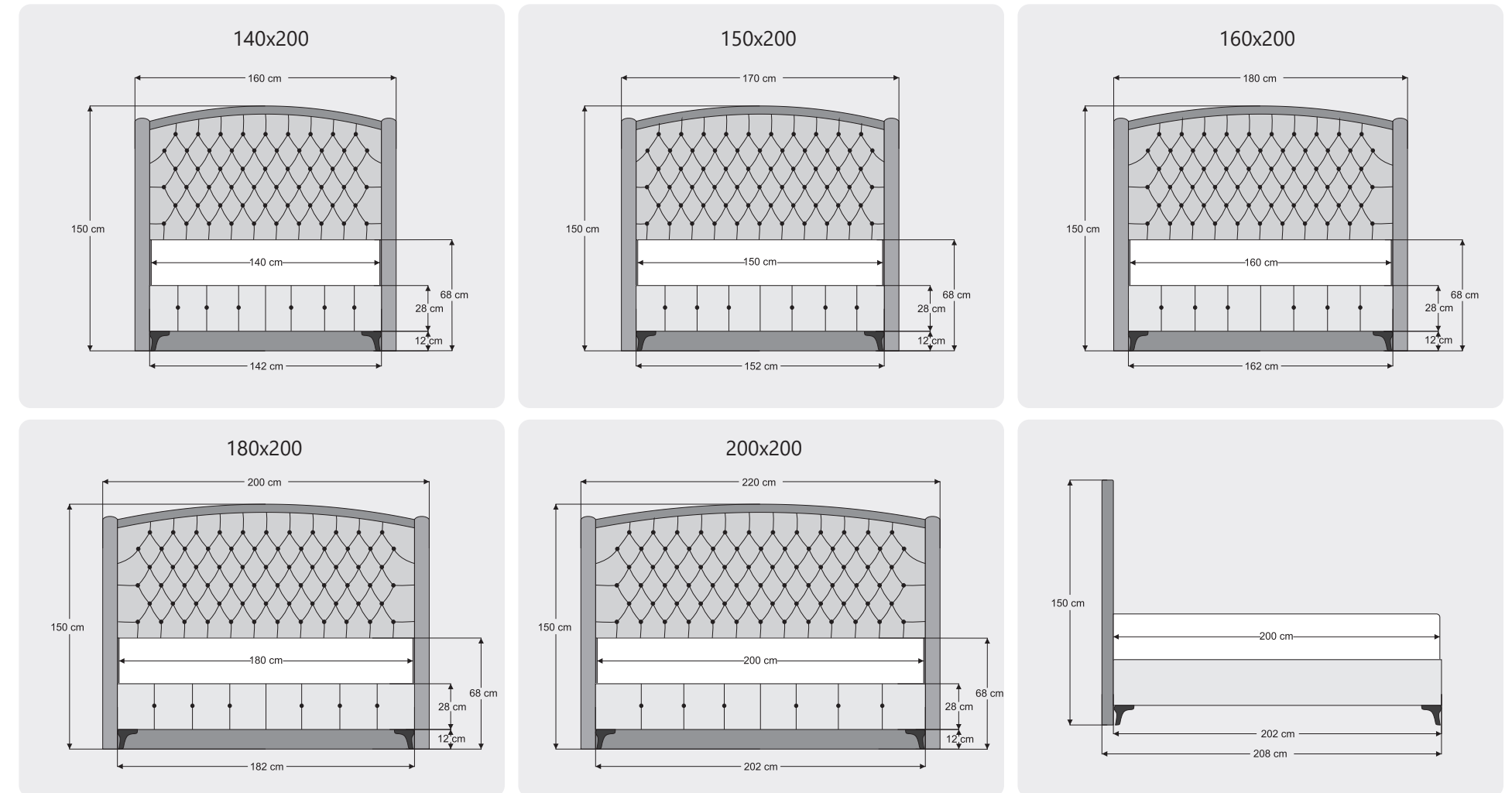
Special mod



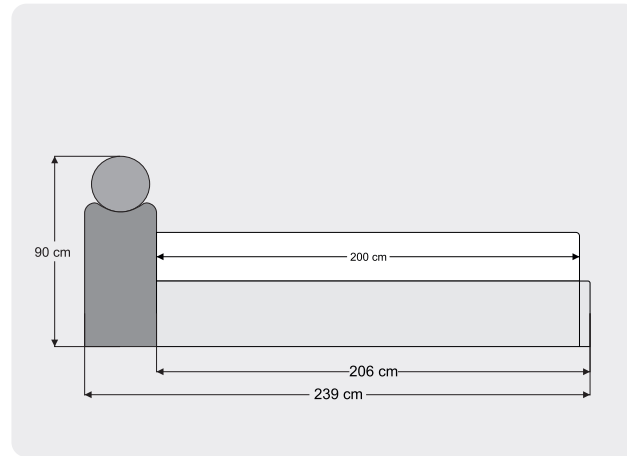
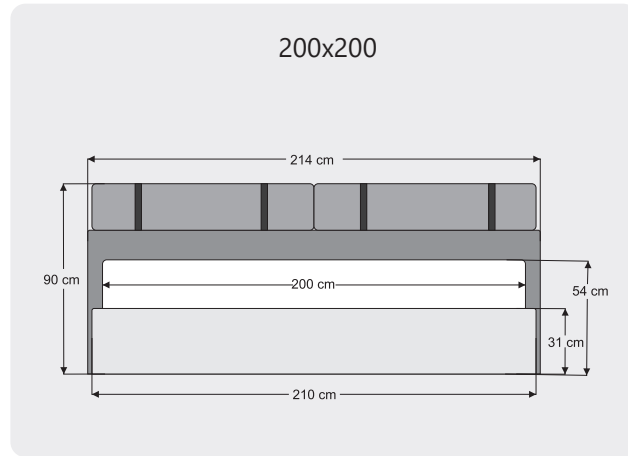
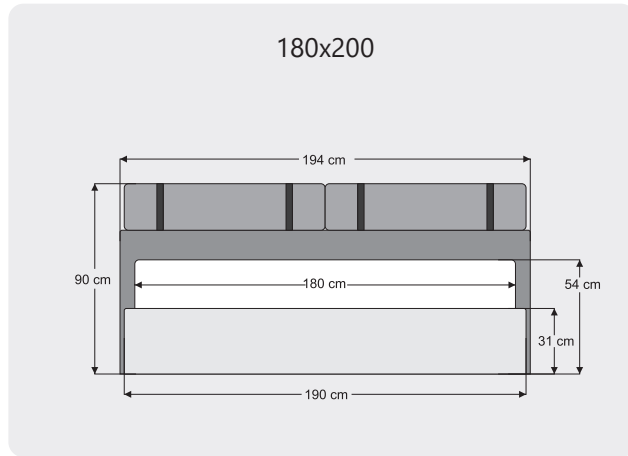
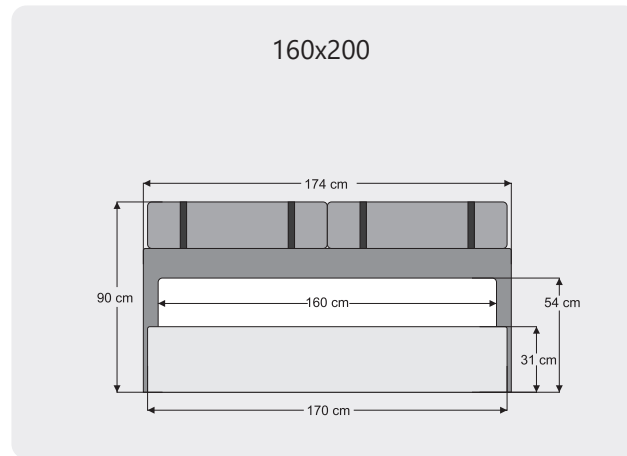
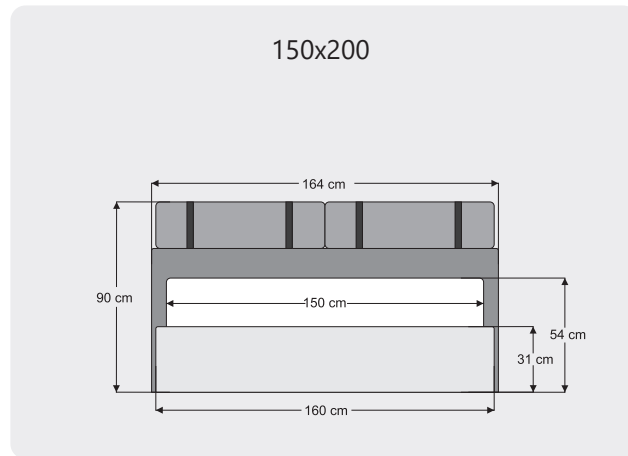
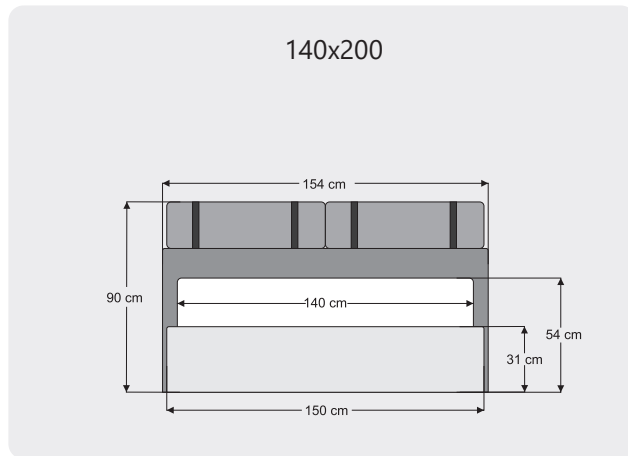
Verona



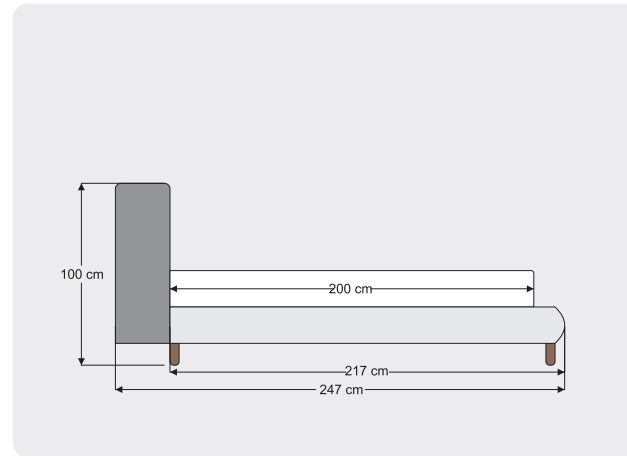
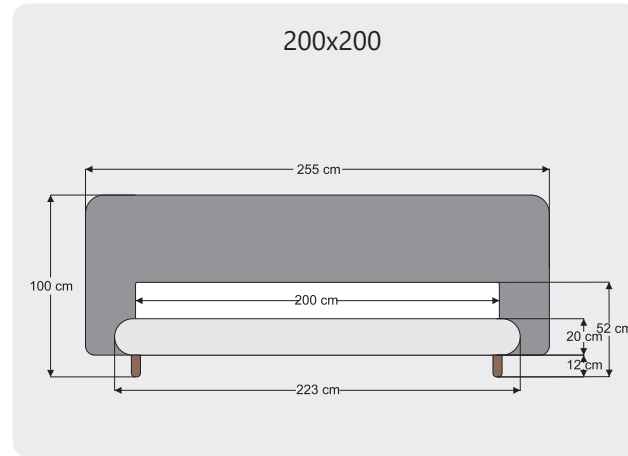
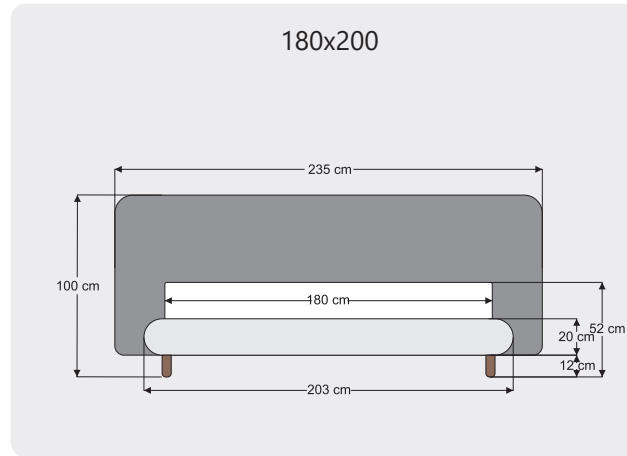
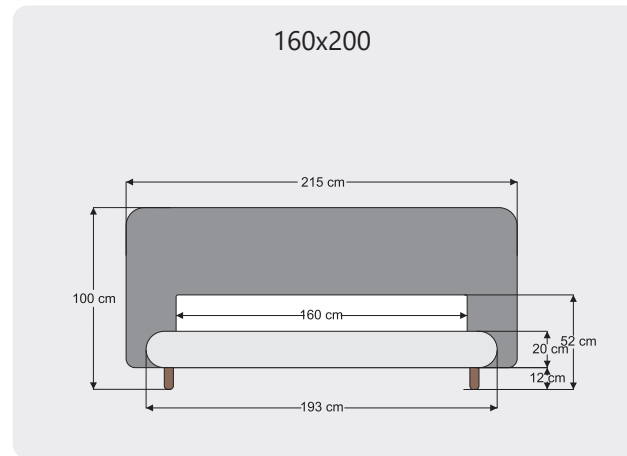
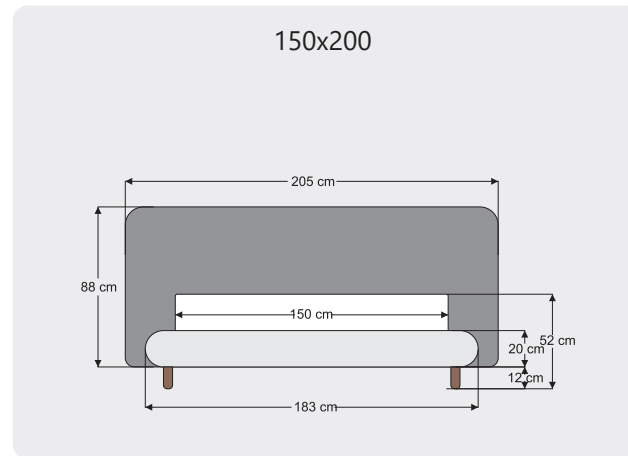
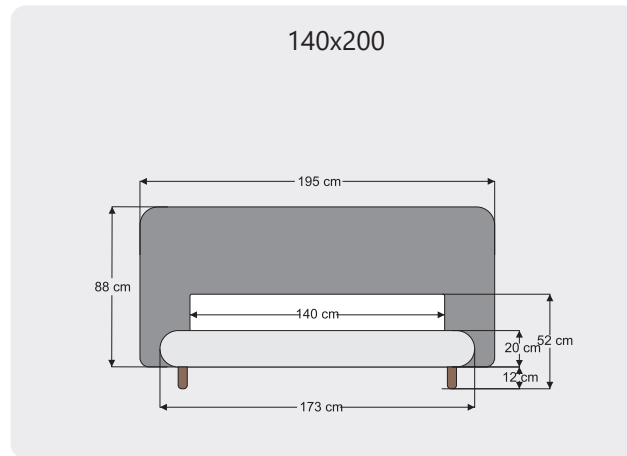
Signature



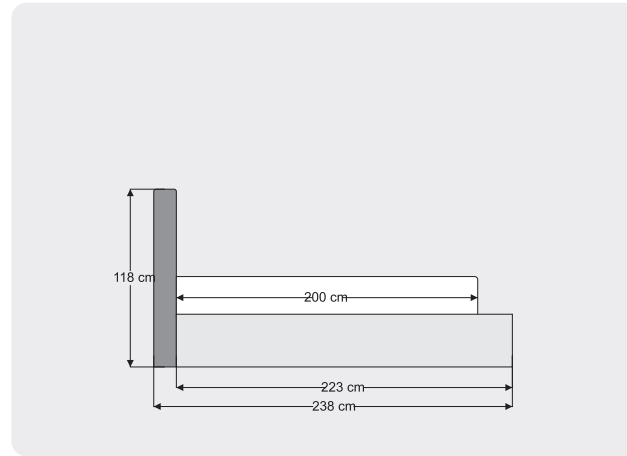
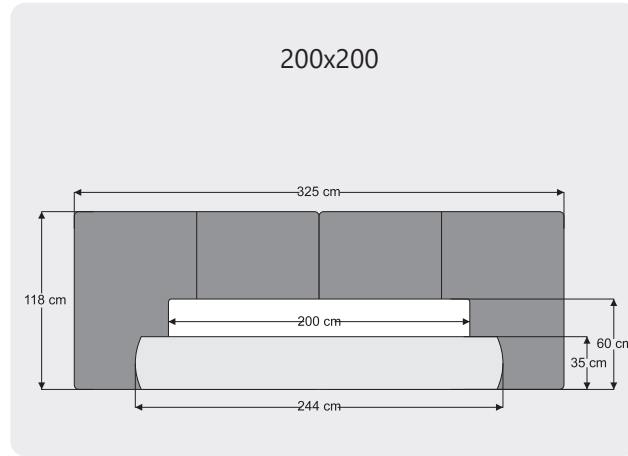
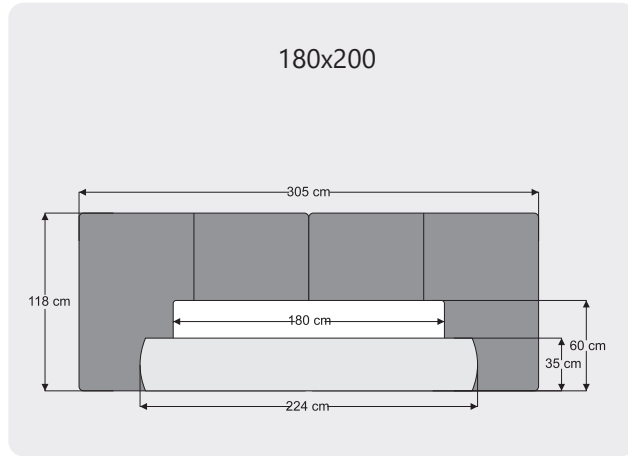
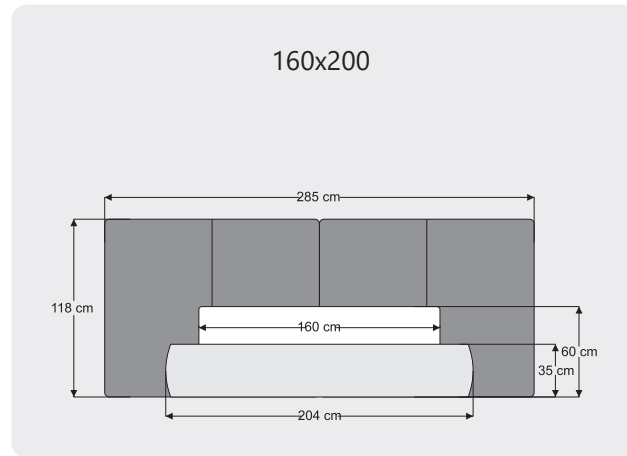
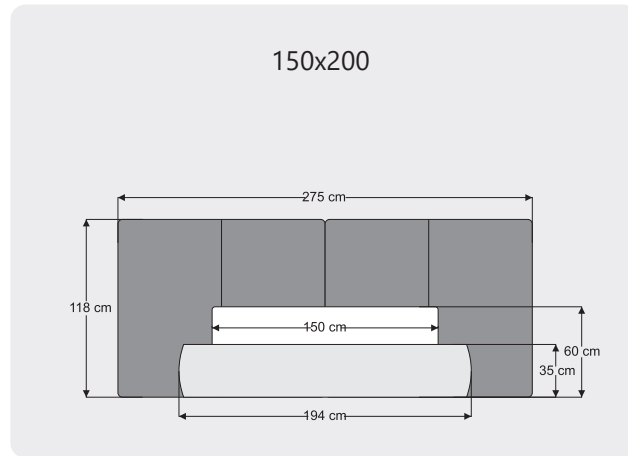
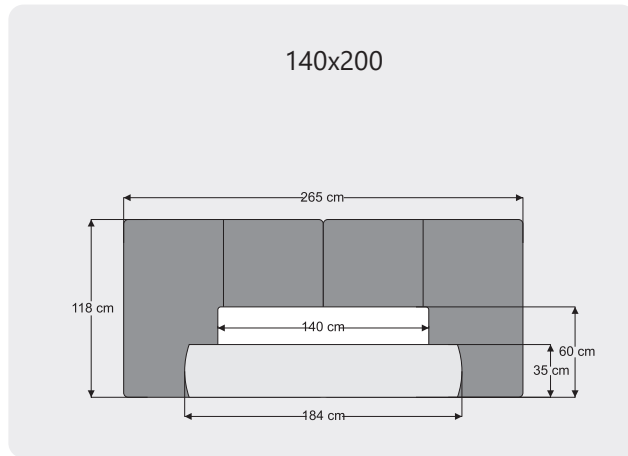
Oslo



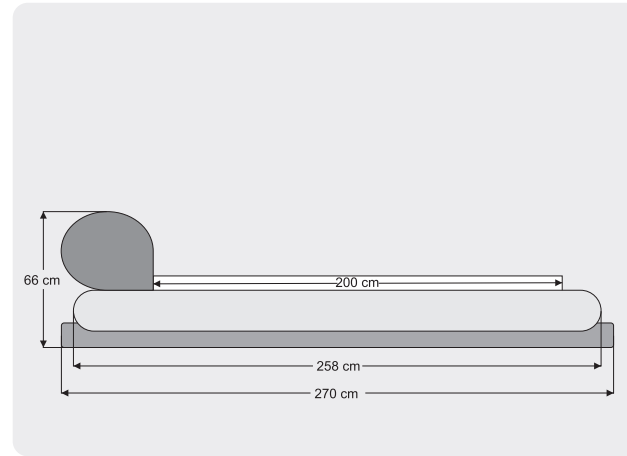
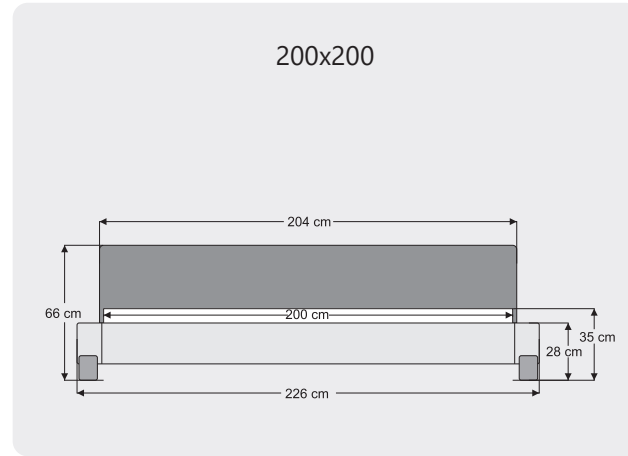
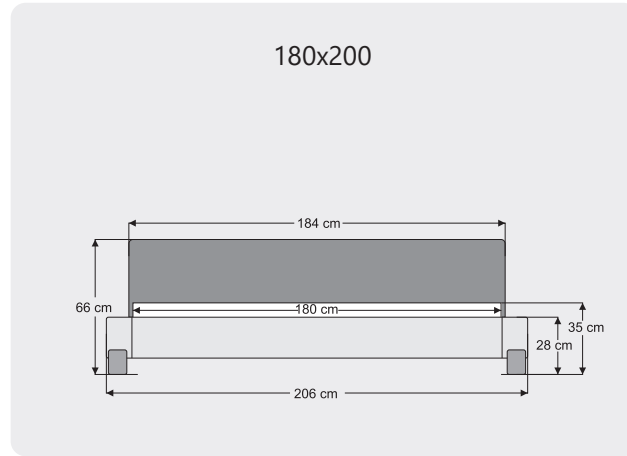
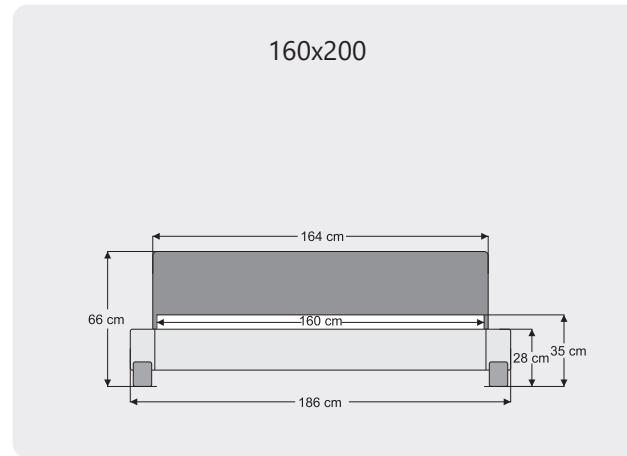
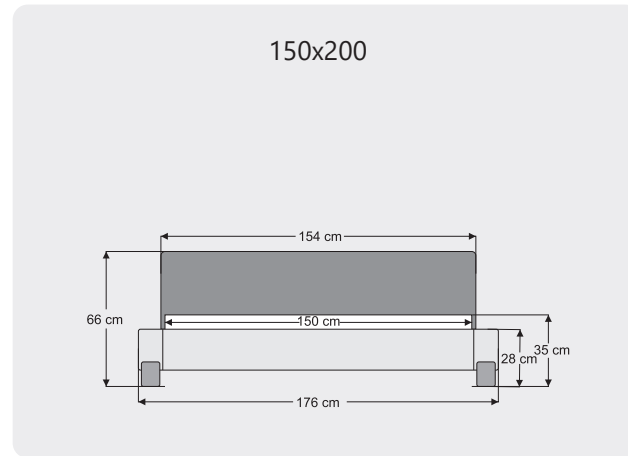
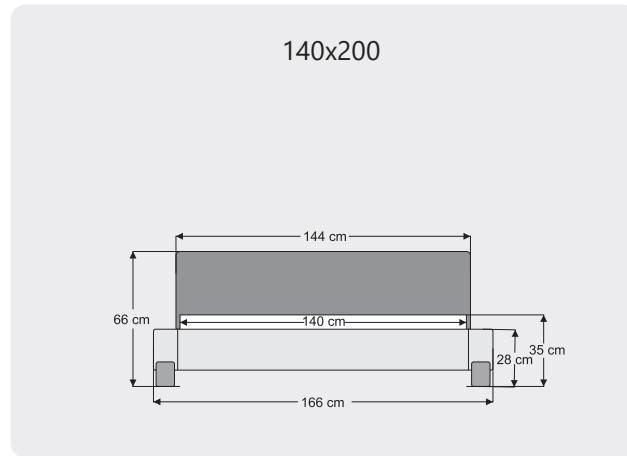
Milano



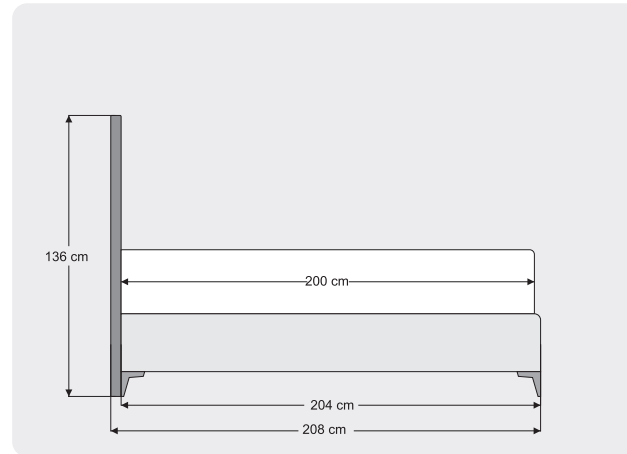
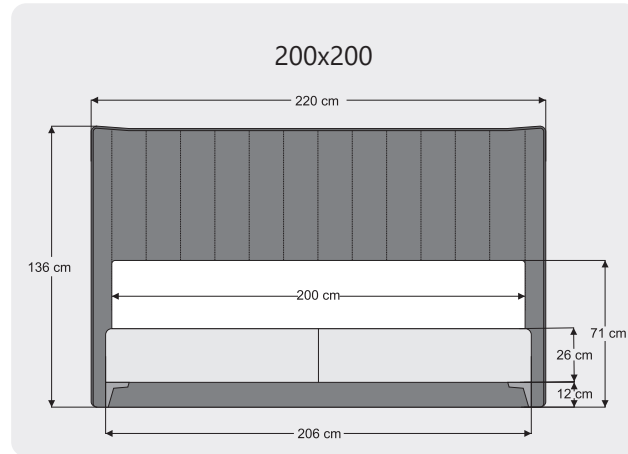
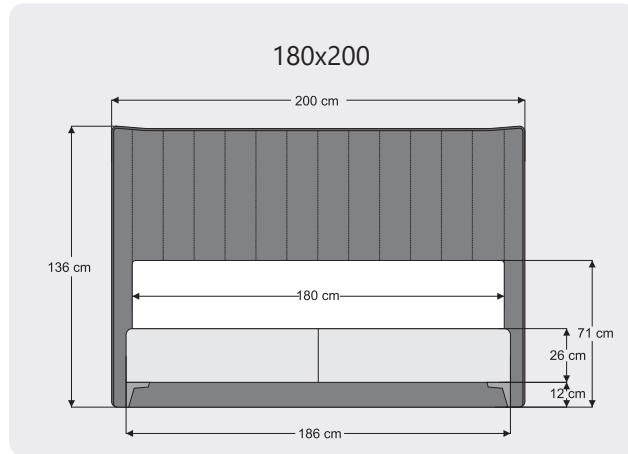
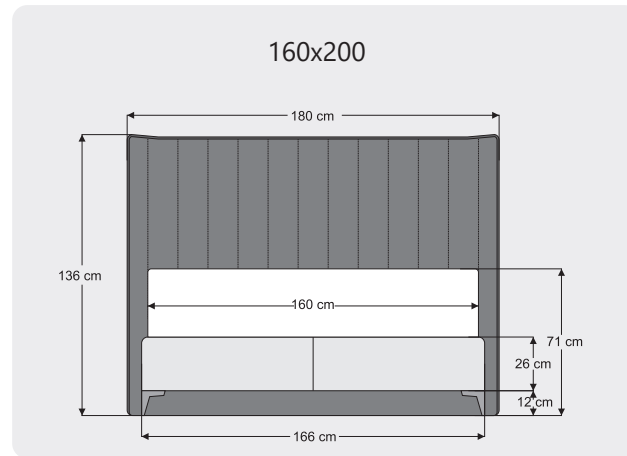
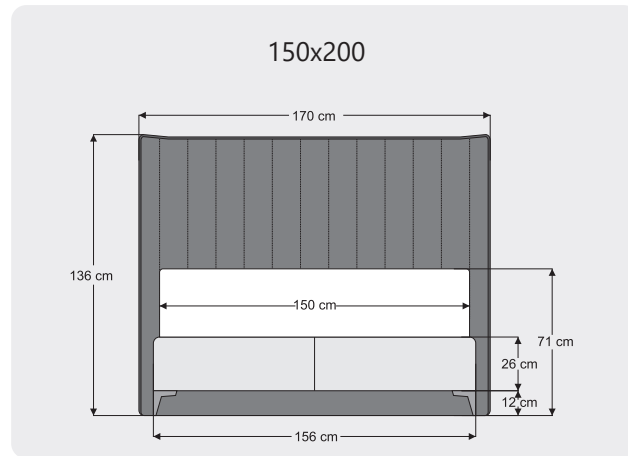
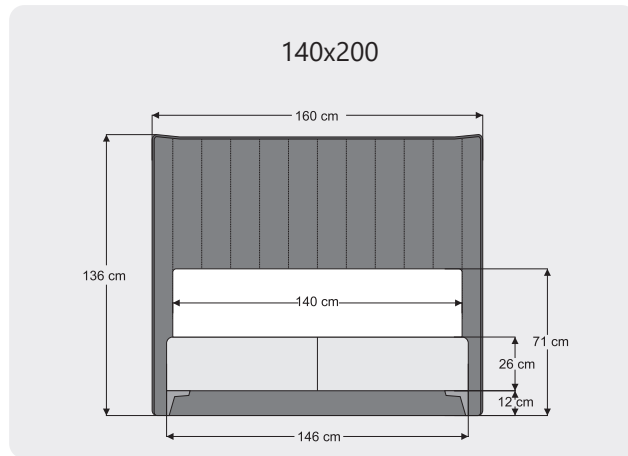
Seossa



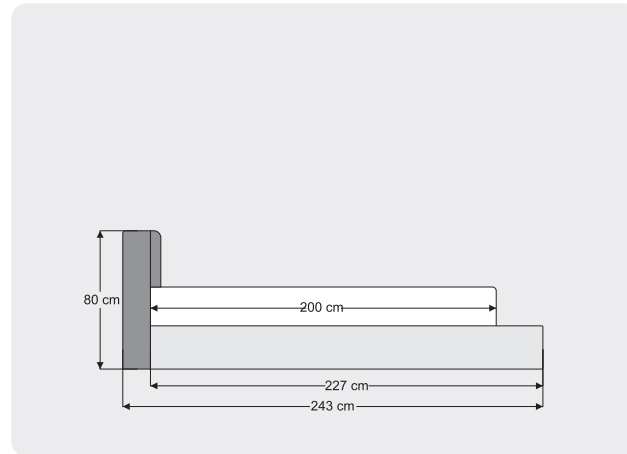
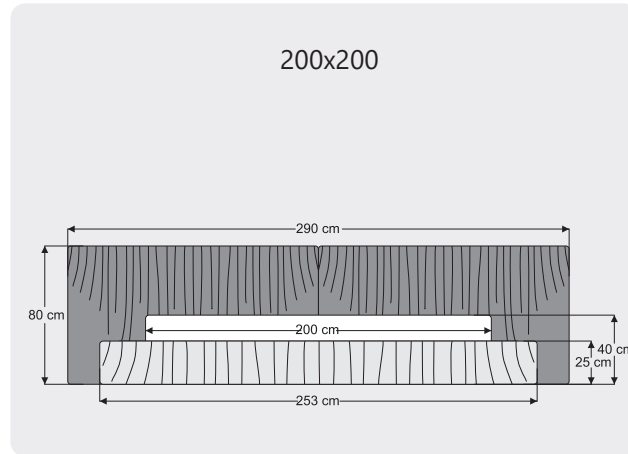
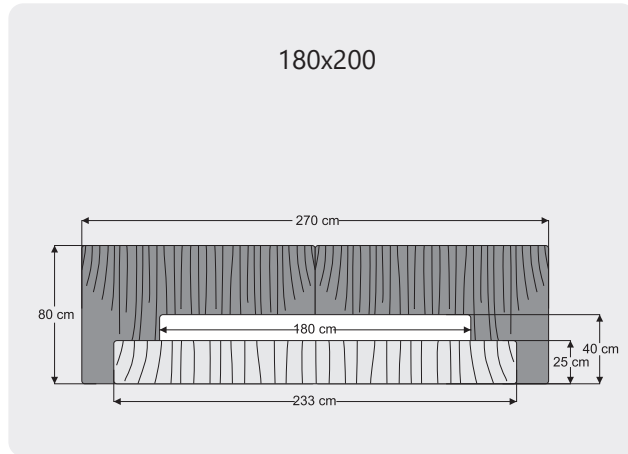
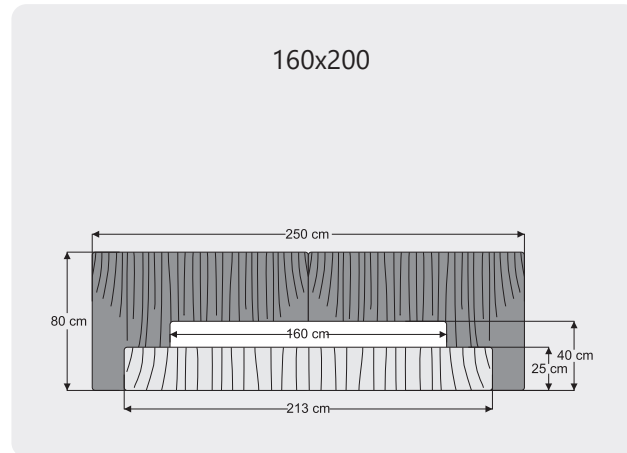
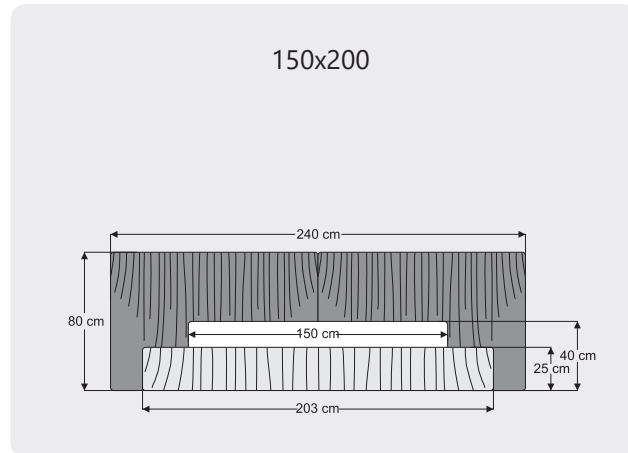
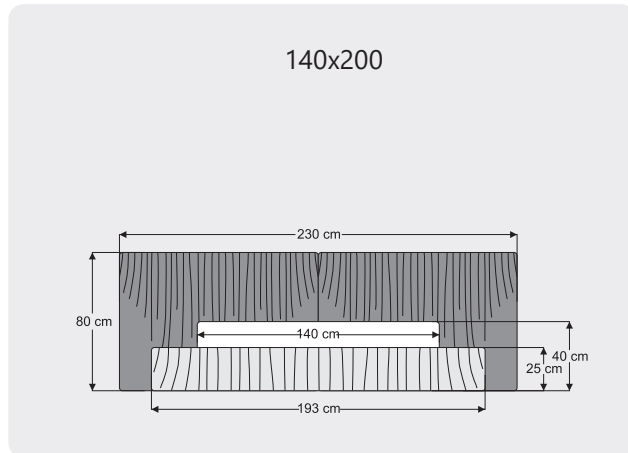
Osaka



Imagene Box



Aurelia



Noa

Butterfly

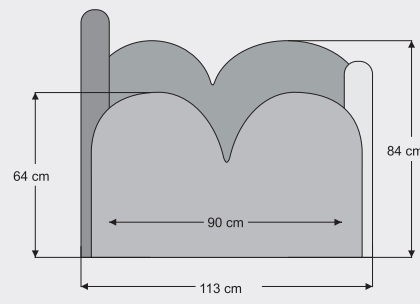
Aria

Rainbow

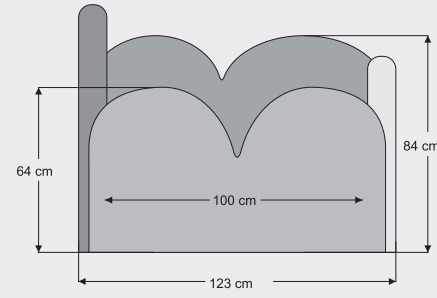
Balloon

Cat

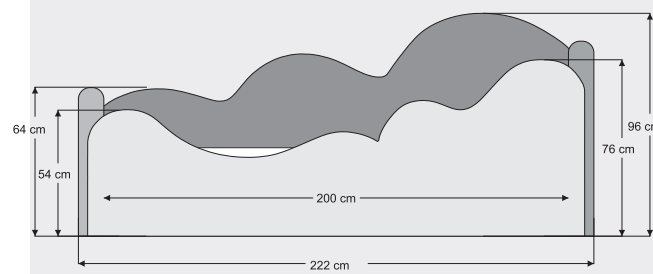
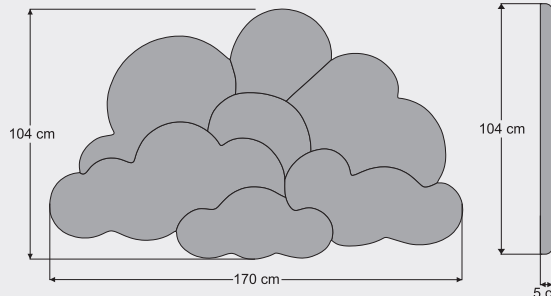
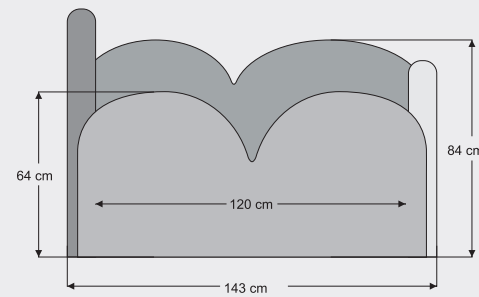
90x200



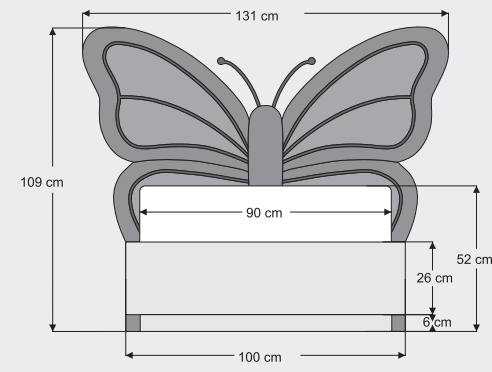
100x200



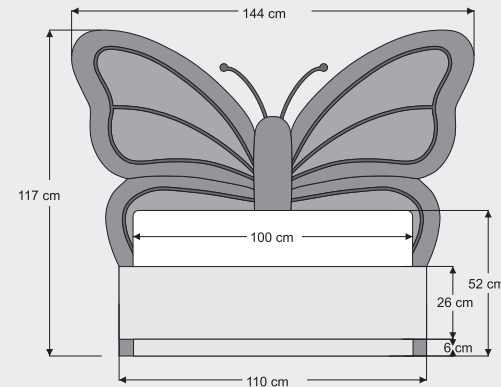
120x200



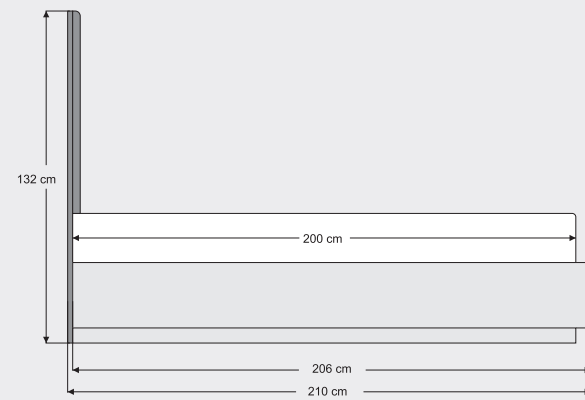
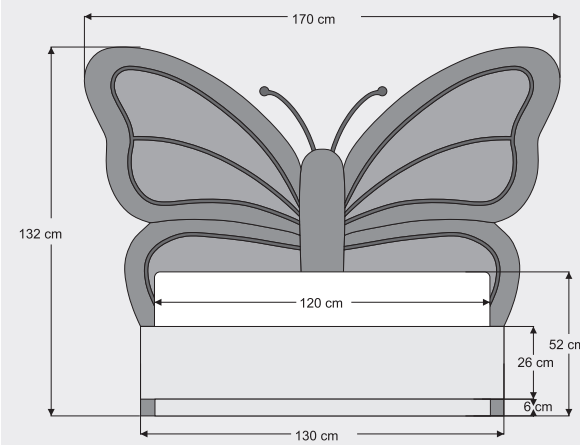
90x200



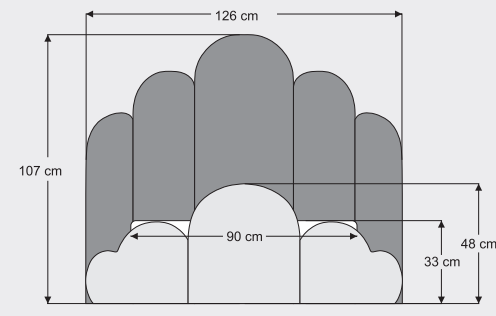
100x200



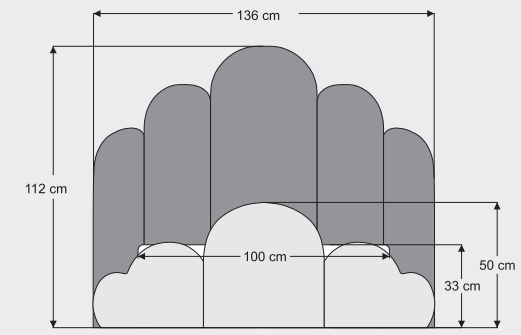
120x200



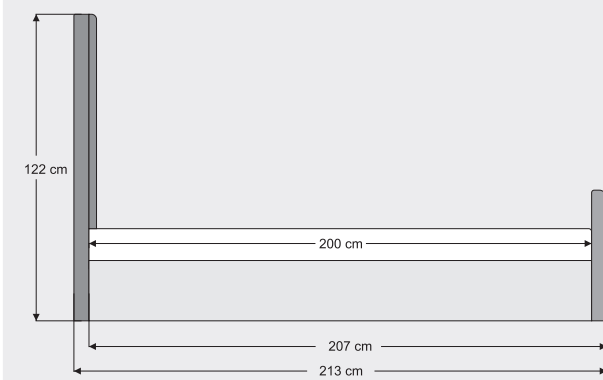
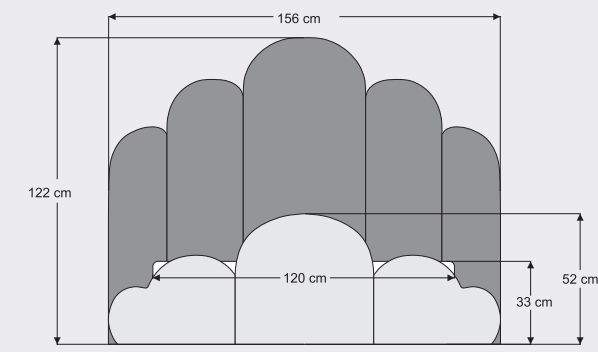
90x200



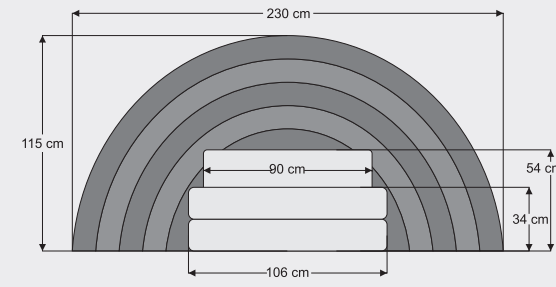
100x200



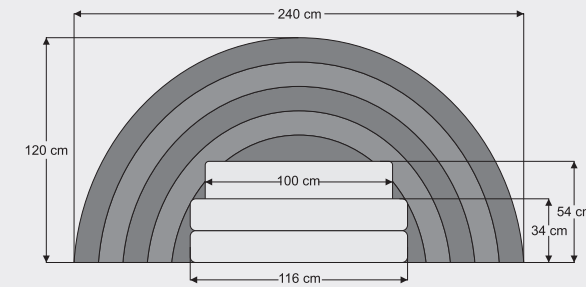
120x200



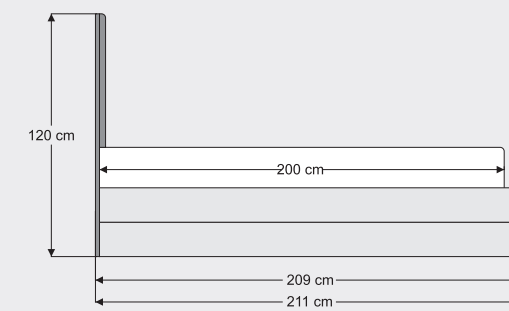
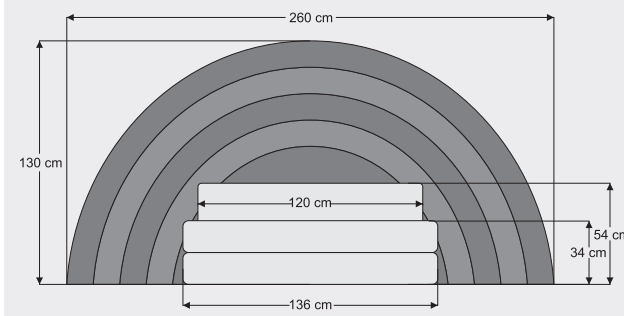
90x200



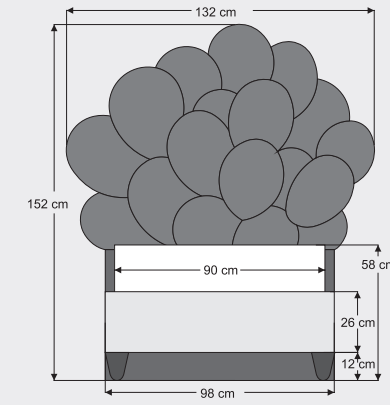
100x200



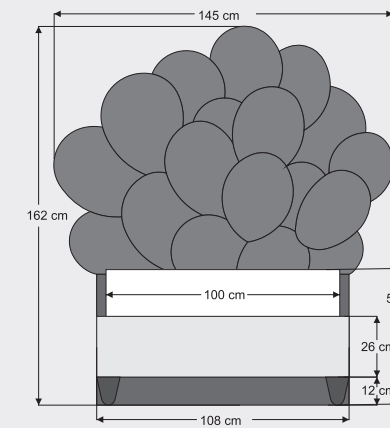
120x200



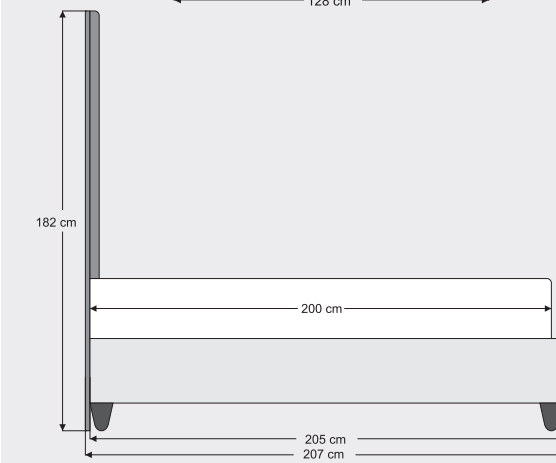
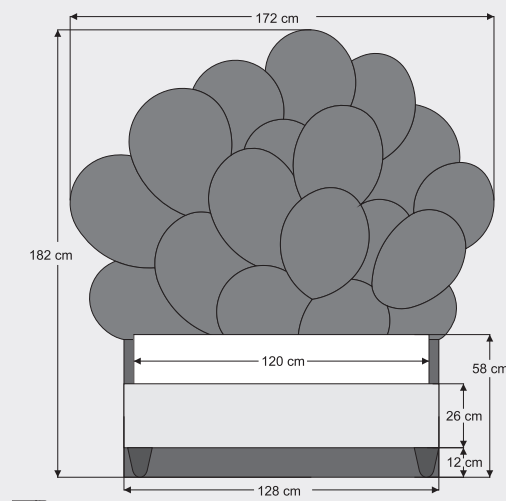
90x200



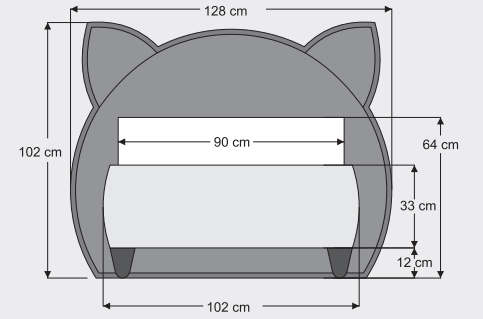
100x200



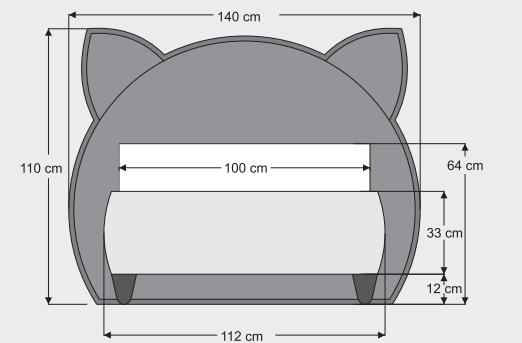
120x200



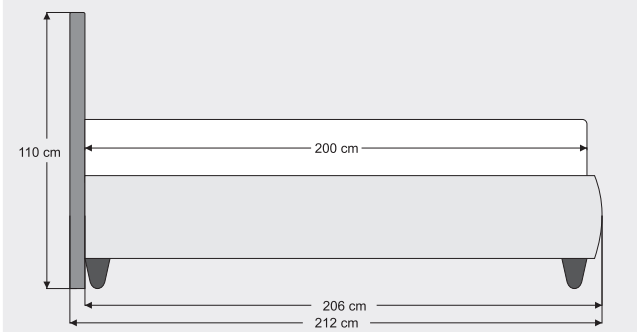
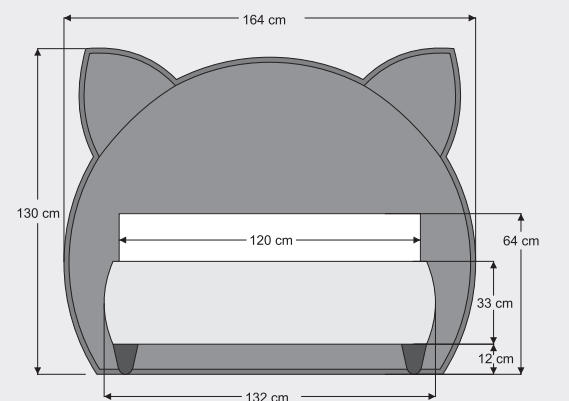
90x200



100x200



120x200



Rabbit

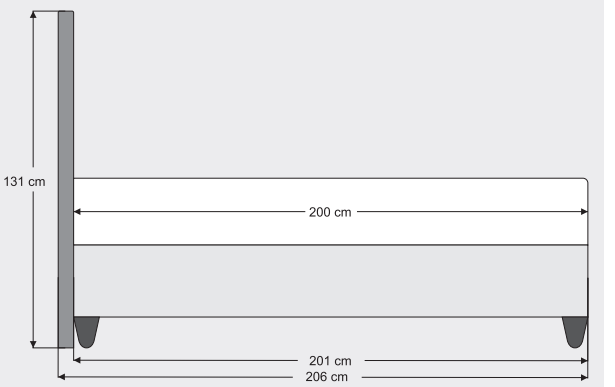
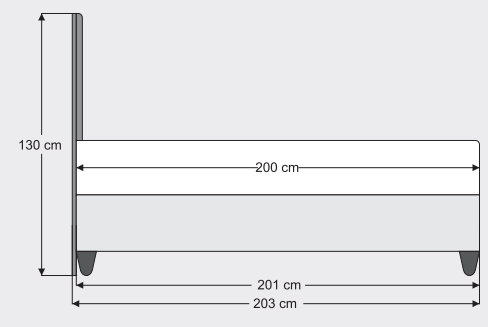
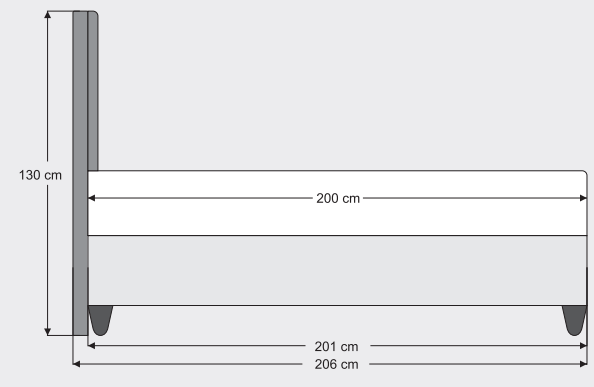
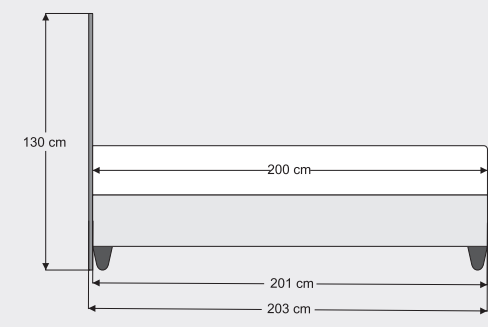
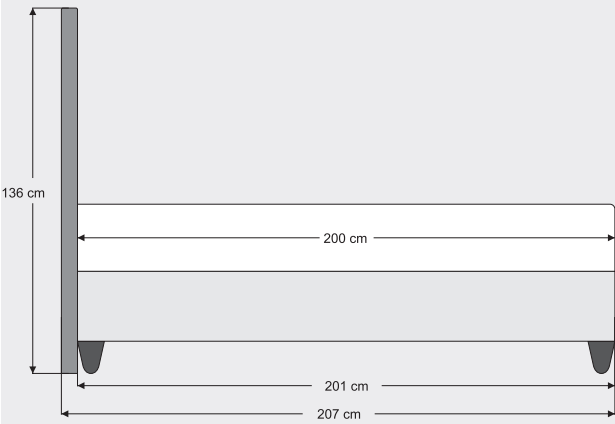
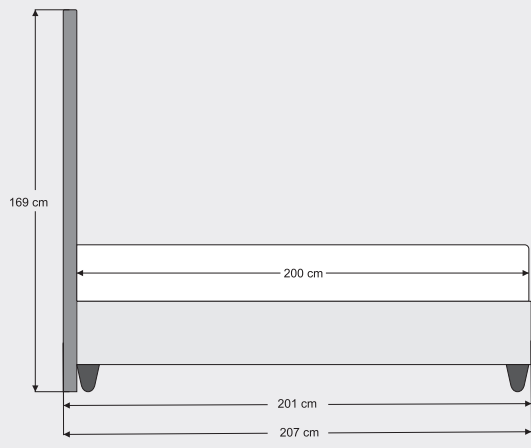
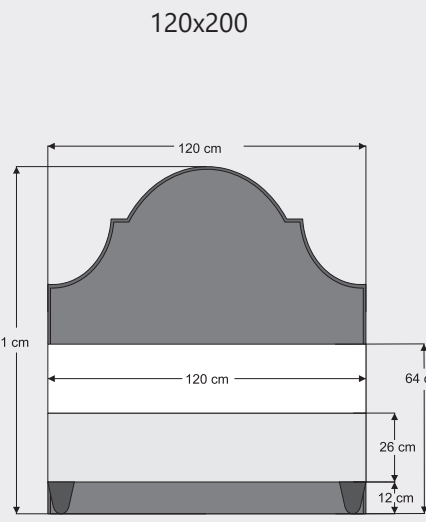
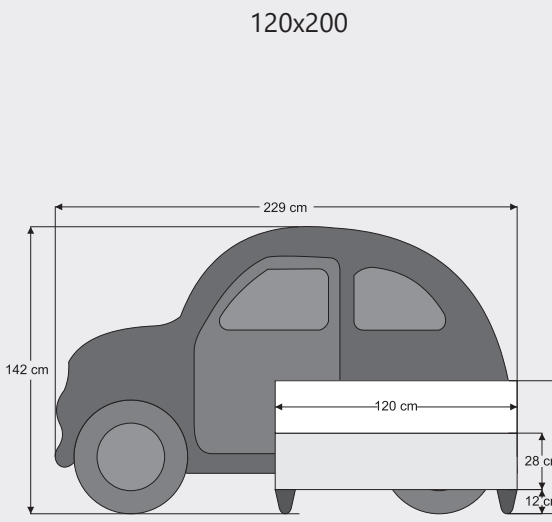
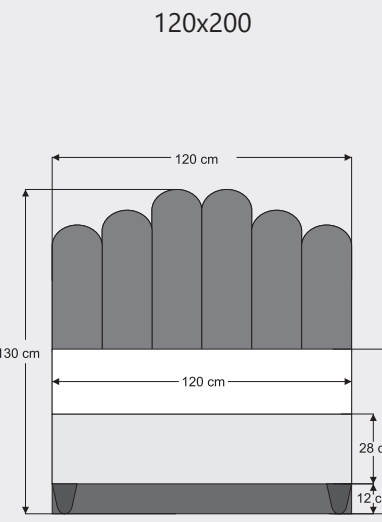
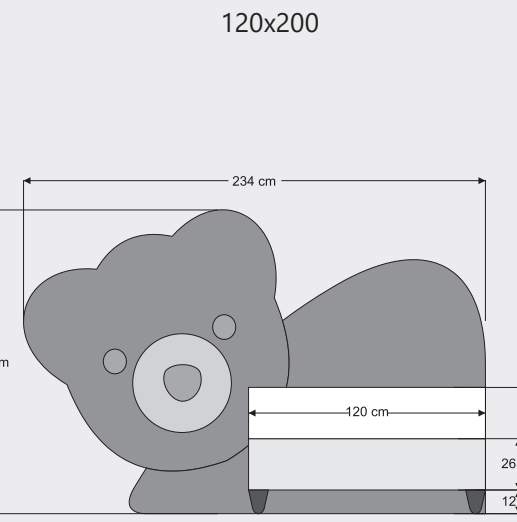
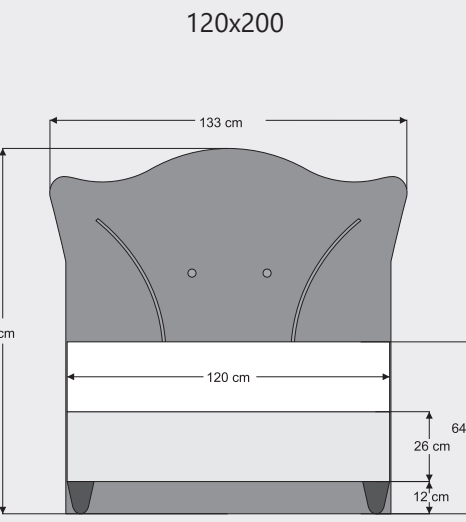
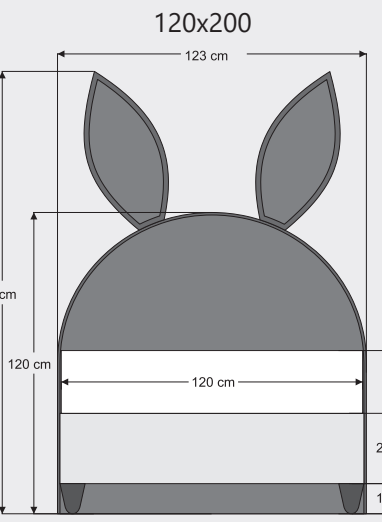
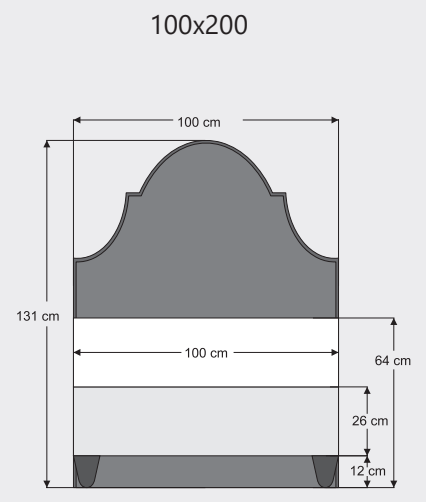
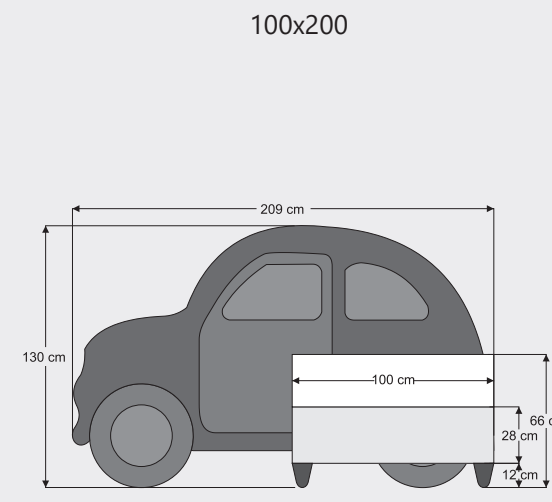
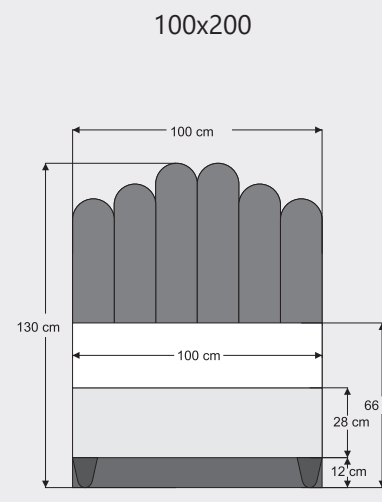
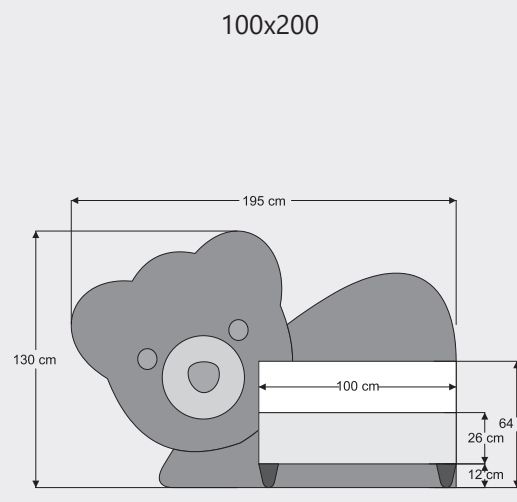
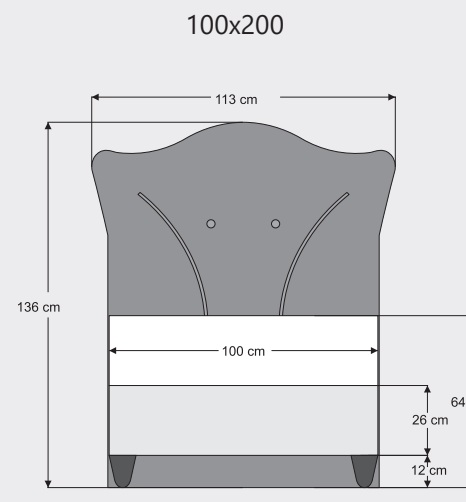
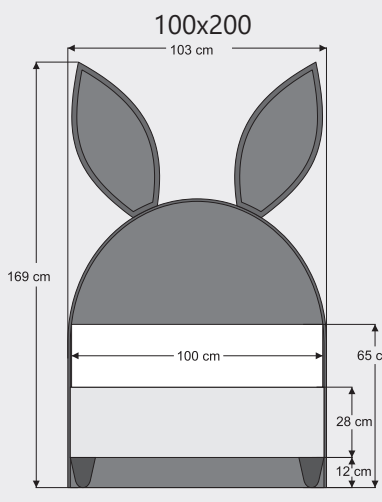
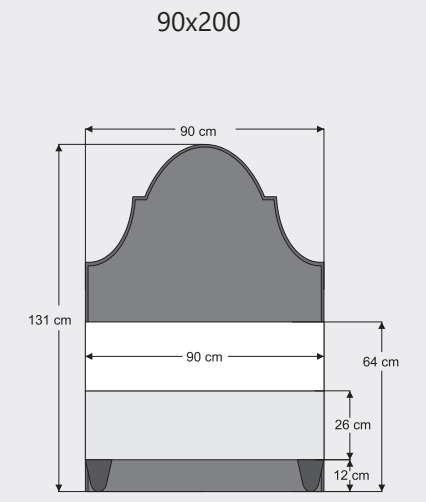
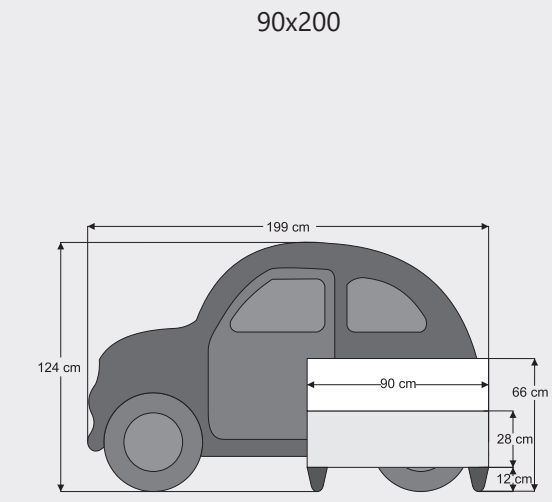
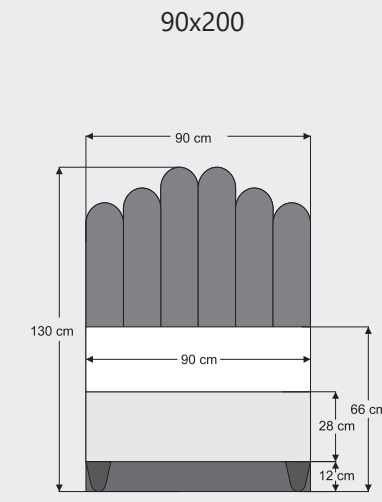
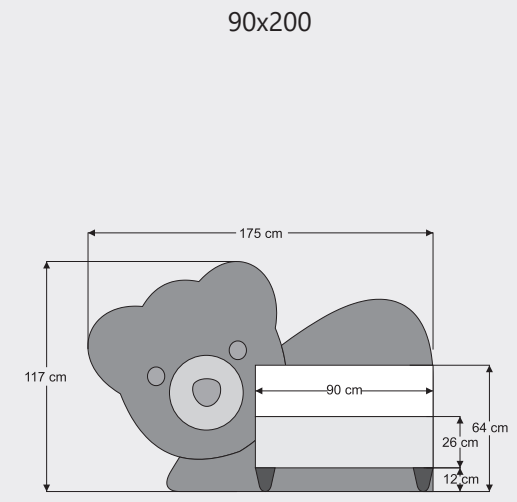
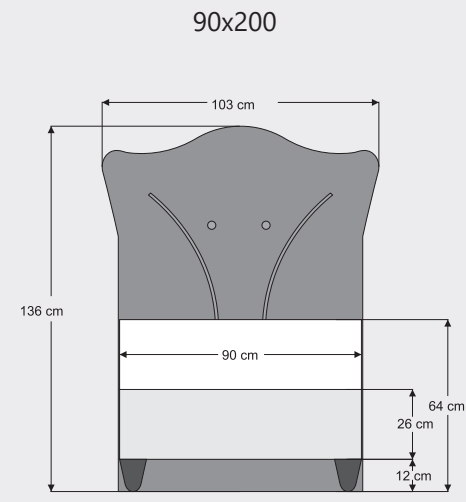
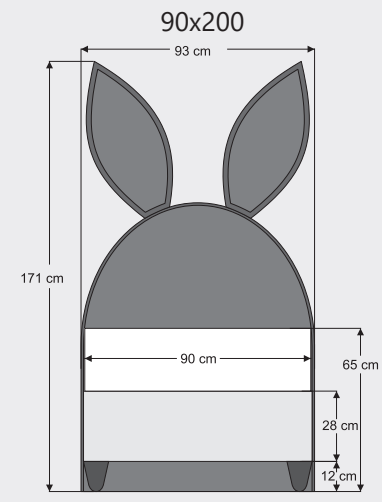
Love

Bear

Luna

Car

Mirace Jr.





**Revella**
BEDDING

Sleep & Beyond



Discover the Revella Sleep Experience

Shop with confidence in our stores, where high hygiene standards and the guidance of our experienced sales team ensure a safe and comfortable shopping experience.

Adress: Ondokuz Mayıs OSB Mah Karadeniz
Bulvarı No: 58 İç Kapı No: 1 Tekkeköy / SAMSUN
Telephone: 0362 266 66 94
Telephone GSM: 0543 238 28 68
E mail: info@revella.com.tr

