



# SMART COLLECTION



[www.revella.com.tr](http://www.revella.com.tr)



## INDEX

Sienna Line	3
Silver	7
Bohem	11
Diamond	15
Majesty	19
Mirace	23
Grey Stone	27
Relax Well	31
Fun Double	35
Essential	39
Point	43
Leda	47
Duke	51
Leda XI	55
Diamond XI	59
Relax Well XL	63
Liva	67
Cloud	71
Lucas	75
Nightstands	78
Benchs	80
Smart Legs	82
Technical Features	84

# SMART COLLECTION

Revella



# Welcome To The World Of Revella.

At Revella, furniture is never just a collection of inanimate objects. It becomes a living part of everyday life—witnessing moments, carrying memories, and sharing a lifetime with those who experience it. The spaces we live in are deeply connected to how we perceive and interpret the world around us.

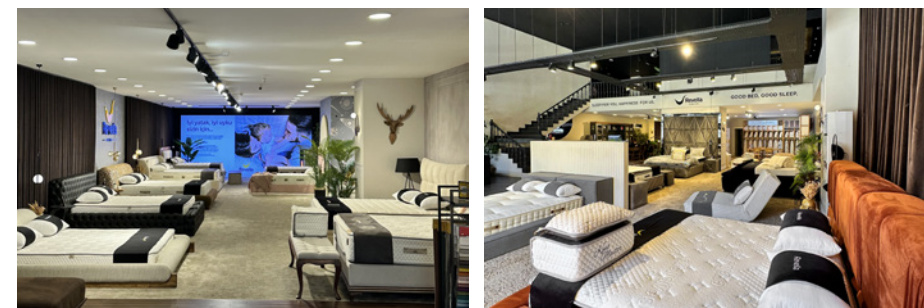
Founded in 1982 in Samsun, Turkey, Revella has evolved into a trusted manufacturer of premium beds, mattresses, and bedroom solutions, serving international markets across Europe and the Middle East. With over four decades of expertise, our foundation is built on craftsmanship, innovation, and a deep understanding of comfort.

At Revella, our goal is to bring the balance and comfort that life offers directly into your bedroom—transforming sleep into the most valuable and relaxing part of your day. Each collection is carefully designed with its own character, combining refined patterns, distinctive colors, and high-quality materials to create products that not only meet expectations but redefine them.

We continuously expand our product portfolio with innovative designs and versatile collections. From modern concepts to timeless styles, Revella offers unique solutions that adapt to different markets, projects, and customer needs.

Our products are crafted using premium fabrics, carefully selected materials, and warm, inviting tones that reflect both comfort and elegance. We invite you to explore our catalog, experience our collections, and discover the Revella difference in our showrooms.

Choose the right bed and mattress from Revella—and elevate your sleep to a new level of quality and comfort.



NEW  
COLLECTION



## Sienna Line

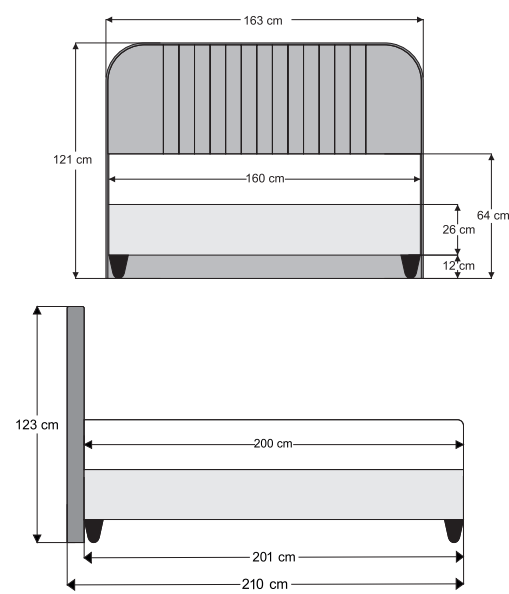
Refined in its simplicity, Sienna Line introduces a quiet elegance that transforms living spaces with a sense of calm, balance, and distinctive character. Each piece is thoughtfully designed to create a visually striking yet effortlessly serene atmosphere.



# Sienna Line

## BASE & HEADBOARD

- Durable steel inner frame engineered for long-lasting strength and resistance to corrosion
- Reinforced base platform with integrated sliding system for silent operation and enhanced durability
- High-strength legs designed to allow easy and practical floor cleaning
- Ergonomic fabric-covered handles offering both comfort and refined aesthetics
- Full-width storage capacity maximising usable space
- Gas lift system reinforced with safety locks for secure and controlled opening
- Ventilation capsules designed to prevent moisture build-up and odour formation
- Anti-slip surface to keep the mattress securely in place



Set Includes: Sienna Line Base, Sienna Line Headboard, Sienna Mattress, Sienna Line Nightstand

## SIENNA MATTRESS

Designed for optimal support and comfort, the Sienna Mattress combines an advanced pocket spring system with high-performance hyper foam technology. The pocket springs provide targeted support across different body zones, while the hyper foam layer enhances comfort with a soft, adaptive feel. This balanced construction delivers superior sleep quality and a deeply restful experience.



**3**  
years  
Warranty

↑ 26  
cm

## ORTHOPEDIC

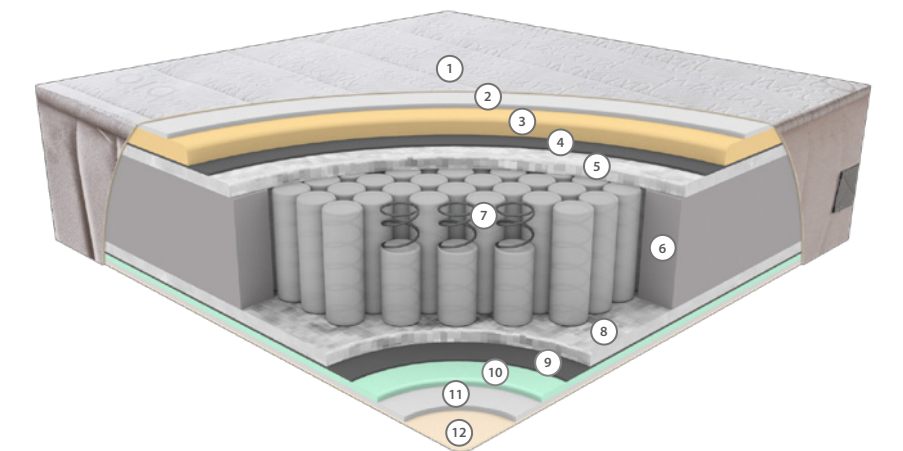
Experience unmatched support and comfort with an orthopedic mattress designed to align your spine and reduce pressure points. Ideal for those experiencing back or joint discomfort, it promotes healthy posture and enhances overall sleep quality.



## POCKET SPRING SYSTEM

The pocket spring system is an innovative design where each spring is individually encased in its own fabric pocket. This independent structure provides tailored support to every part of the body, ensuring optimal alignment. By minimising motion transfer, it delivers a peaceful and undisturbed sleep experience with superior comfort.

Mattress Firmness Chart	H1	H2	H3	H4
	Soft	Medium	Hard	Ultra Hard
60 - 80 kg				
80 - 100 kg				
100 - 120 kg				
120 - 150 kg				



- 1 Quilted Fabric
- 2 Micro Fiber Filling
- 3 Hyper Soft Foam
- 4 Interlining
- 5 Milform
- 6 Edge Support Foam
- 7 1000 Count Pocket Spring
- 8 Milform
- 9 Interlining
- 10 Comfort Foam
- 11 Micro Fiber Filling
- 12 Quilted Fabric



90x190 90x200 100x200 120x200 140x190 140x200 150x200 160x200 180x200 200x200

NEW  
COLLECTION



## Silver

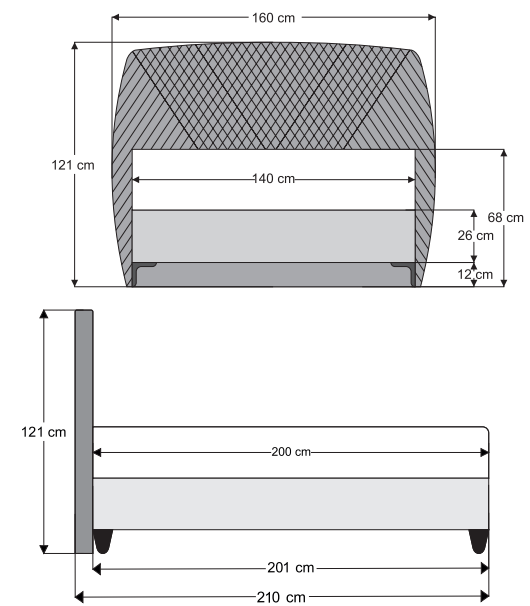
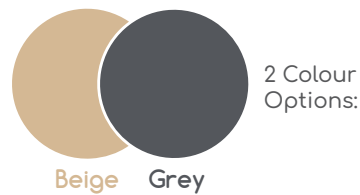
Silver brings modern elegance to bedrooms with its refined quilted details and strong design language. Its well-balanced structure and comfort-focused design seamlessly combine sophisticated aesthetics with a superior sleep experience, creating a calm and distinguished atmosphere in any living space.



# Silver

## BASE & HEADBOARD

- Durable steel inner frame engineered for long-lasting strength and resistance to corrosion
- Reinforced base platform with integrated sliding system for silent operation and enhanced durability
- High-strength legs designed to allow easy and practical floor cleaning
- Ergonomic fabric-covered handles offering both comfort and refined aesthetics
- Full-width storage capacity maximising usable space
- Gas lift system reinforced with safety locks for secure and controlled opening
- Ventilation capsules designed to prevent moisture build-up and odour formation
- Anti-slip surface to keep the mattress securely in place



## Silver Mattress

The Silver orthopedic mattress with pillow top combines an advanced pocket spring system with high-performance hyper foam technology to deliver exceptional support and comfort. The pocket springs provide targeted support across different body zones, while the hyper foam layer enhances comfort with a soft, cushioned feel. This combination ensures superior sleep quality and a deeply restful sleep experience.



**3**  
years  
Warranty

↑ 29  
cm

## HYPER SOFT FOAM

Hyper Soft foam is a specially engineered material with an ultra-soft and highly elastic structure. It distributes pressure evenly while maximising comfort during body contact with the mattress. Used in the quilting layer, Hyper Soft foam provides a silky-soft touch and a superior level of comfort.

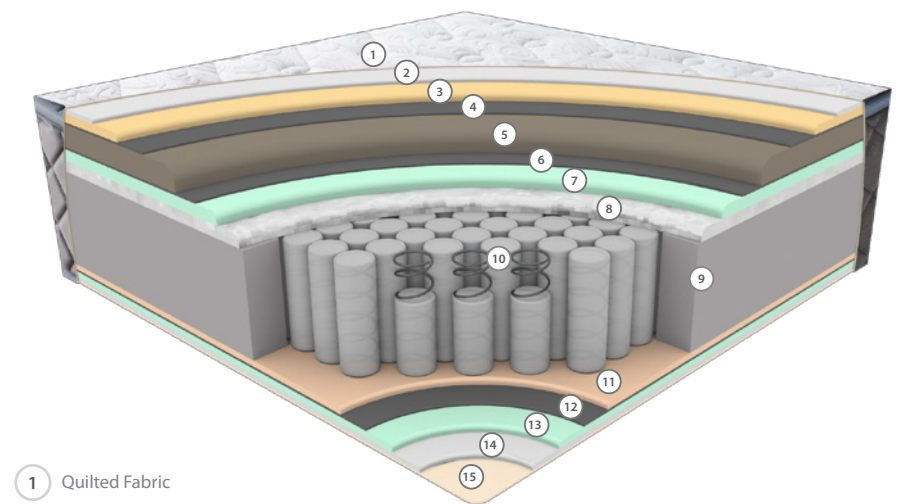


## POCKET SPRING SYSTEM

The pocket spring system is an innovative design where each spring is individually encased in its own fabric pocket. This independent structure provides tailored support to every part of the body, ensuring optimal alignment. By minimising motion transfer, it delivers a peaceful and undisturbed sleep experience with superior comfort.

Mattress Firmness Chart	H1	H2	H3	H4
	Soft	Medium	Hard	Ultra Hard
60 - 80 kg				
80 - 100 kg				
100 - 120 kg				
120 - 150 kg				

- Quilted Fabric
- Knitted Fabric
- Orthopedic
- One-Sided Use
- 4 Season Use
- Pocket Spring System



- 1 Quilted Fabric
- 2 Micro Fiber Filling
- 3 Hyper Soft Foam
- 4 Interlining
- 5 Rebond Foam
- 6 Quilted Interlining
- 7 Comfort Foam
- 8 Milform
- 9 Edge Support Foam
- 10 1000 Count Pocket Spring
- 11 Termo Felt
- 12 Interlining
- 13 Comfort Foam
- 14 Micro Fiber Filling
- 15 Quilted Fabric

NEW  
COLLECTION



BOHEM

## Bohem

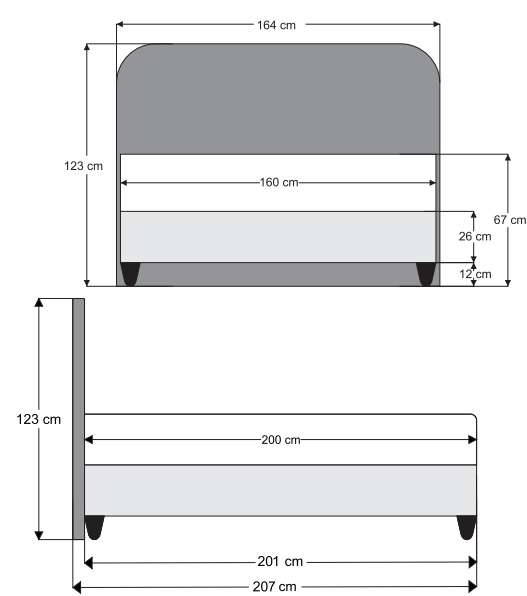
With its soft lines and minimal design approach, Bohem brings a natural and refined elegance into the bedroom. Blending simplicity with comfort-focused design, it creates a calm, balanced atmosphere while offering a relaxing and harmonious sleep experience.



# Bohem

## BASE & HEADBOARD

- Durable steel inner frame engineered for long-lasting strength and resistance to corrosion
- Reinforced base platform with integrated sliding system for silent operation and enhanced durability
- Anti-slip fabric surface to keep the mattress securely in place
- Ventilation capsules designed to prevent moisture build-up and odour formation
- Ergonomic fabric handles for a refined look and easy use
- Gas lift system reinforced with safety locks, ensuring secure and controlled operation for you and your family
- Full-width storage capacity maximising usable space



## BOHEM MATTRESS

Designed to adapt to the body's natural ergonomics, the Bohem Mattress combines visco (memory foam) and high-density support foam to deliver balanced comfort and reliable support. The visco layer gently conforms to the body, evenly distributing pressure, while the support foam enhances durability and structural strength. This combination ensures a calm, uninterrupted, and deeply restful sleep experience.



**3**  
years  
Warranty

↑ 27  
cm

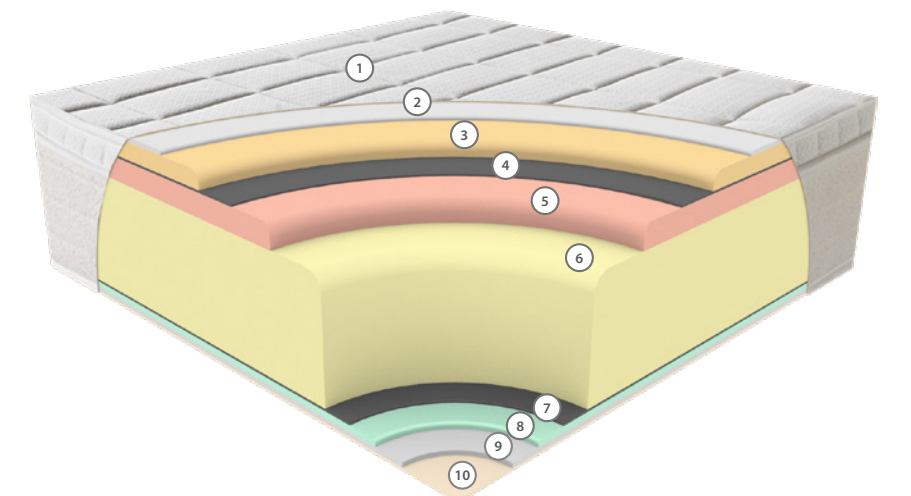
## VISCO (MEMORY FOAM)

Visco (memory foam) is a pressure- and temperature-sensitive material that adapts to the body's shape, providing maximum comfort. By evenly distributing body weight, it helps reduce pressure on the spine. Used in the quilting layer, visco foam offers a soft, soothing, and supportive comfort feel.



## HIGH-DENSITY SUPPORT FOAM CORE

The high-density foam system forms the core structure of the mattress, delivering stable and consistent support to maintain natural spinal alignment. This durable construction ensures long-lasting performance while preserving the mattress shape over time.



Mattress Firmness Chart	H1	H2	H3	H4
	Soft	Medium	Hard	Ultra Hard
60 - 80 kg				
80 - 100 kg				
100 - 120 kg				
120 - 150 kg				

- 1 Quilted Fabric
- 2 Cotton Fiber
- 3 Comfort Foam
- 4 Interlining
- 5 Memory foam
- 6 Block Comfort Foam
- 7 Interlining
- 8 Comfort Foam
- 9 Cotton Fiber
- 10 Quilted Fabric

- Plush Fabric
- Knitted Fabric
- Orthopedic
- One-Sided Use
- 4 Season Use
- Hyper Foam
- Roll Pack

90x190 90x200 100x200 120x200 140x190 140x200 150x200 160x200 180x200 200x200

NEW  
COLLECTION



## Diamond

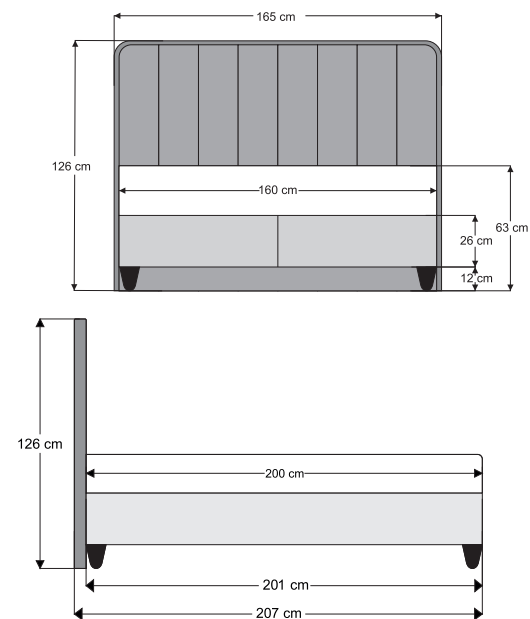
With its refined quilted detailing and clean modern lines, Diamond brings a sophisticated sense of elegance to the bedroom. Its balanced design and comfort-focused structure seamlessly combine visual appeal with a superior sleep experience, creating a calm, refined, and inviting atmosphere.



# Diamond

## BASE & HEADBOARD

- Durable steel inner frame engineered for long-lasting strength and resistance to corrosion
- Reinforced base platform with integrated sliding system for silent operation and enhanced durability
- Ergonomic fabric-covered handles offering both comfort and refined aesthetics
- 5 cm deep recessed base design to keep the mattress securely in place
- Full-width storage capacity maximising usable space
- Gas lift system reinforced with safety locks for secure and controlled operation
- Ventilation capsules designed to prevent moisture build-up and odour formation
- Reinforced high-strength legs for durability and easy floor cleaning



Set Includes: Diamond Base, Diamond Headboard, Diamond Mattress, Diamond Nightstand

## DIAMOND MATTRESS

Designed to deliver elevated comfort and balanced support, the Diamond Mattress features a 1000-count pocket spring system combined with advanced comfort layers. Individually wrapped springs adapt to body movements, supporting natural spinal alignment, while multi-layer foam construction enhances softness and pressure relief. Reinforced edge support helps maintain shape over time, ensuring long-lasting durability. This refined combination offers a smooth, quiet, and uninterrupted sleep experience.



**3**  
years  
Warranty

↑ 25 cm

- Quilted Fabric
- Knitted Fabric
- Orthopedic
- One-Sided Use
- 4 Season Use
- Hyper Foam
- Pocket Spring System

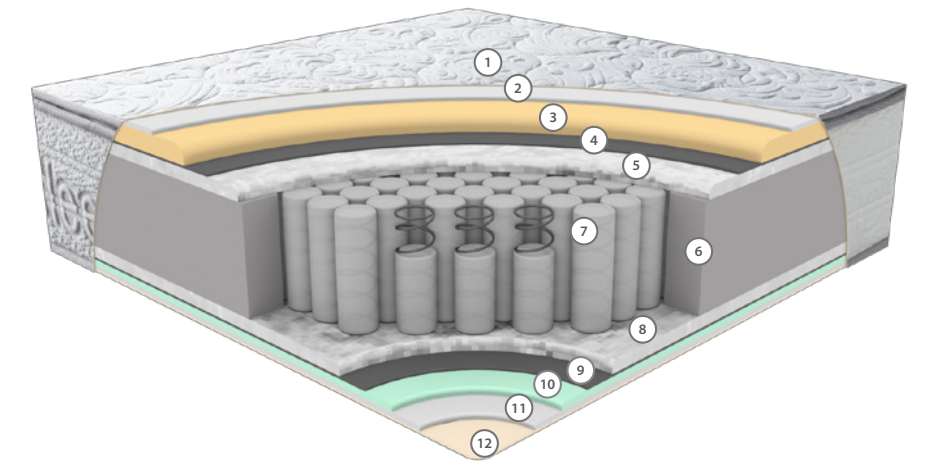
## HYPER SOFT FOAM

Hyper Soft foam is a specially engineered material with an ultra-soft and highly elastic structure. It distributes pressure evenly while maximising comfort during body contact with the mattress. Used in the quilting layer, Hyper Soft foam provides a silky-soft touch and a superior level of comfort.



## ORTHOPEDIC

Experience unmatched support and comfort with an orthopedic mattress designed to align your spine and reduce pressure points. Ideal for those experiencing back or joint discomfort, it promotes healthy posture and enhances overall sleep quality.



- 1 Quilted Fabric
- 2 Microfiber Filling
- 3 Hyper Soft Foam
- 4 Interlining
- 5 MilForm
- 6 Edge Support Foam
- 7 1000 Count Pocket Spring
- 8 MilForm
- 9 Interlining
- 10 Comfort Foam
- 11 Microfiber filling
- 12 Quilted Fabric

Mattress Firmness Chart	H1	H2	H3	H4
	Soft	Medium	Hard	Ultra Hard
60 - 80 kg				
80 - 100 kg				
100 - 120 kg				
120 - 150 kg				

90x190 90x200 100x200 120x200 140x190 140x200 150x200 160x200 180x200 200x200

NEW  
COLLECTION



## Majesty

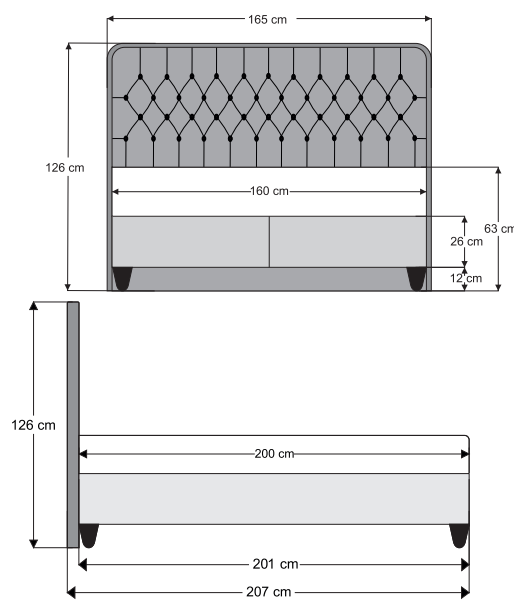
With its classic quilted headboard design and refined detailing, Majesty brings a strong yet elegant character to the bedroom. Its balanced form and comfort-focused structure seamlessly combine aesthetic appeal with superior comfort, creating a luxurious and timeless atmosphere within any living space.



# Majesty

## BASE & HEADBOARD

- Durable steel inner frame engineered for long-lasting strength and resistance to corrosion
- Reinforced base platform with integrated sliding system for silent operation and enhanced durability
- Ergonomic fabric-covered handles offering both comfort and refined aesthetics
- Anti-slip fabric surface to keep the mattress securely in place
- Full-width storage capacity maximising usable space
- Gas lift system reinforced with safety locks for secure and controlled operation for you and your family
- Ventilation capsules designed to prevent moisture build-up and odour formation
- Reinforced high-strength legs for durability and easy floor cleaning



Set Includes: Majesty Base, Majesty Headboard, Majesty Mattress, Majesty Nightstand

## MAJESTY MATTRESS

Engineered for refined comfort and dependable support, the Majesty Mattress features a 1000-count pocket spring system paired with advanced Hyper Soft foam layers. The comfort surface delivers a soft, adaptive feel, while individually encased springs promote optimal spinal alignment. Reinforced edge support enhances durability and shape retention. A removable, zippered cover allows for easy cleaning, ensuring long-term freshness. This premium construction offers a balanced, quiet, and consistently comfortable sleep experience.



**3**  
years  
Warranty

↑ 25  
cm

- Quilted Fabric
- Knitted Fabric
- Orthopedic
- One-Sided Use
- 4 Season Use
- Hyper Foam
- Pocket Spring System

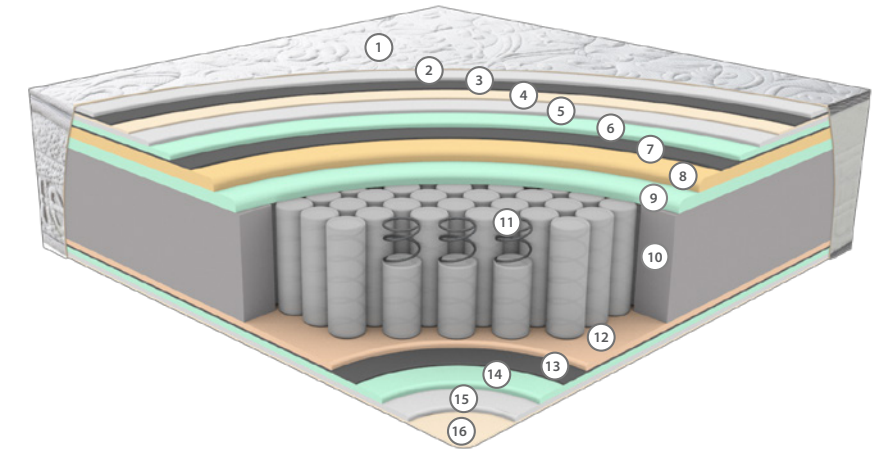
## HYPER SOFT FOAM

Hyper Soft foam is a specially engineered material with an ultra-soft and highly elastic structure. It distributes pressure evenly while maximising comfort during body contact with the mattress. Used in the quilting layer, Hyper Soft foam provides a silky-soft touch and a superior level of comfort.



## POCKET SPRING SYSTEM

The pocket spring system is an innovative design where each spring is individually encased in its own fabric pocket. This independent structure provides tailored support to every part of the body, ensuring optimal alignment. By minimising motion transfer, it delivers a peaceful and undisturbed sleep experience with superior comfort.



- 1 Quilted Fabric
- 2 Micro Fiber Filling
- 3 Interlining
- 4 Quilted Fabric
- 5 Micro Fiber Filling
- 6 Comfort Foam
- 7 Interlining
- 8 Hyper Soft Foam
- 9 Comfort Foam
- 10 Edge Support Foam
- 11 1000 Count Pocket Spring
- 12 Termo Felt
- 13 Interlining
- 14 Comfort Foam
- 15 Micro Fiber Filling
- 16 Quilted Fabric

Mattress Firmness Chart	H1	H2	H3	H4
	Soft	Medium	Hard	Ultra Hard
60 - 80 kg				
80 - 100 kg				
100 - 120 kg				
120 - 150 kg				

90x190 90x200 100x200 120x200 140x190 140x200 150x200 160x200 180x200 200x200

NEW  
COLLECTION



## Mirace

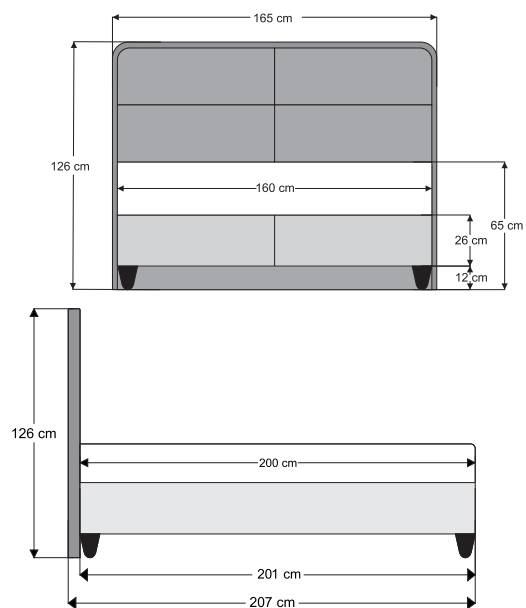
With its clean lines and minimalist headboard design, Mirace brings a balanced and refined elegance to the bedroom. Its comfort-focused structure and modern form seamlessly combine style with ease, creating a calm, contemporary atmosphere in any living space.



# Mirace

## BASE & HEADBOARD

- Durable steel inner frame engineered for long-lasting strength and resistance to corrosion
- Reinforced base platform with integrated sliding system for silent operation and enhanced durability
- Ergonomic fabric-covered handles offering both comfort and refined aesthetics
- Anti-slip fabric surface to keep the mattress securely in place
- Full-width storage capacity maximising usable space
- Gas lift system reinforced with safety locks for secure and controlled operation for you and your family
- Ventilation capsules designed to prevent moisture build-up and odour formation
- Reinforced high-strength legs for durability and easy floor cleaning



Set Includes: Mirace Base, Mirace Headboard, Mirace Mattress, Mirace Nightstand

## MIRACE MATTRESS WITH PILLOW TOP

Designed for enhanced comfort and balanced support, the Mirace Mattress with pillow top features a 1000-count pocket spring system combined with multiple layers of Hyper Soft foam. The pillow top layer delivers a plush, cushioned surface feel, while individually encased springs adapt to body movements to support natural spinal alignment. Reinforced edge support improves durability and helps maintain the mattress shape over time. This refined construction delivers a quiet, stable, and uninterrupted sleep experience.



**3**  
years  
Warranty

29  
cm

- Quilted Fabric
- Knitted Fabric
- Orthopedic
- One-Sided Use
- 4 Season Use
- Hyper Foam
- Pocket Spring System

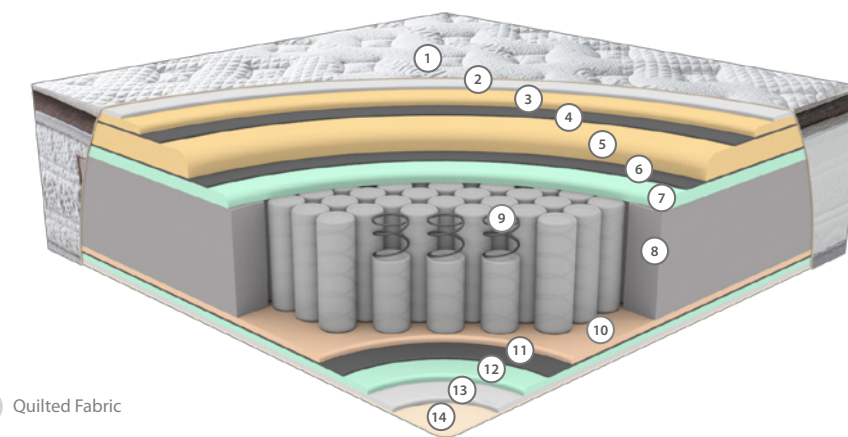
## HYPER SOFT FOAM

Hyper Soft foam is a specially engineered material with an ultra-soft and highly elastic structure. It distributes pressure evenly while maximising comfort during body contact with the mattress. Used in the quilting layer, Hyper Soft foam provides a silky-soft touch and a superior level of comfort.



## POCKET SPRING SYSTEM

The pocket spring system is an innovative design where each spring is individually encased in its own fabric pocket. This independent structure provides tailored support to every part of the body, ensuring optimal alignment. By minimising motion transfer, it delivers a peaceful and undisturbed sleep experience with superior comfort.



Mattress Firmness Chart	H1	H2	H3	H4
	Soft	Medium	Hard	Ultra Hard
60 - 80 kg				
80 - 100 kg				
100 - 120 kg				
120 - 150 kg				

- 1 Quilted Fabric
- 2 Micro Fiber Filling
- 3 Hyper Soft Foam
- 4 Interlining
- 5 Hyper Soft Foam
- 6 Quilted Interlining
- 7 Comfort Foam
- 8 Edge Support Foam
- 9 1000 Count Pocket Spring
- 10 Termo Felt
- 11 Interlining
- 12 Comfort Foam
- 13 Micro Fiber Filling
- 14 Quilted Fabric

90x190 90x200 100x200 120x200 140x190 140x200 150x200 160x200 180x200 200x200

NEW  
COLLECTION



## Grey Stone

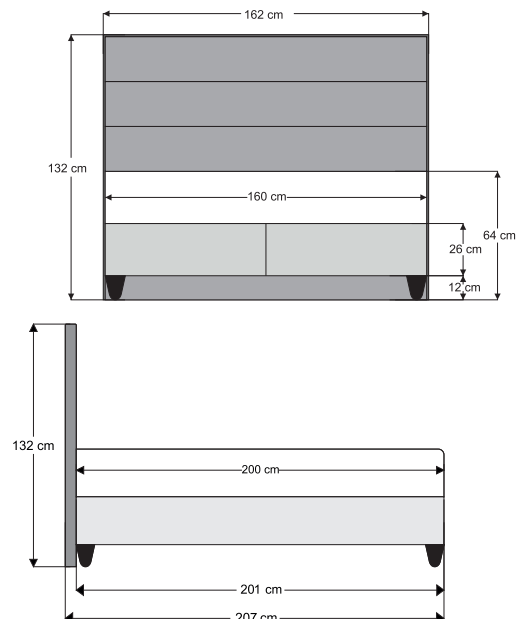
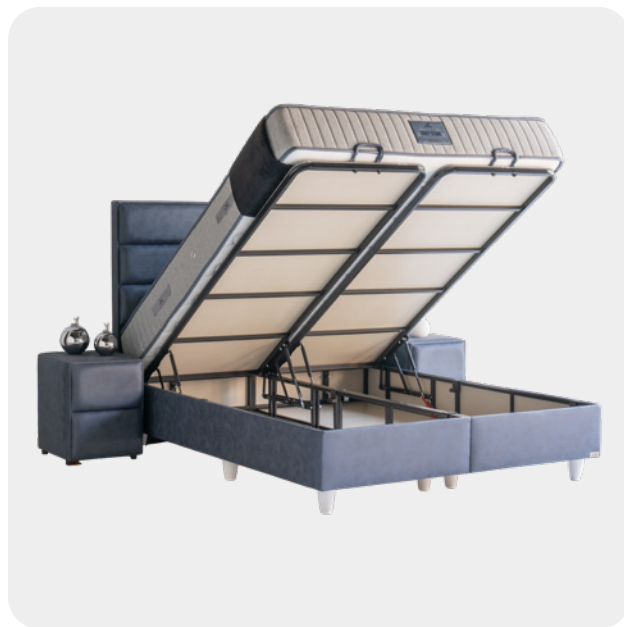
With its modern lines and refined headboard design, Grey Stone introduces a clean yet distinctive character to the bedroom. Its balanced form and comfort-focused structure combine aesthetic simplicity with superior comfort, creating a calm, stylish, and inviting atmosphere.



# Grey Stone

## BASE & HEADBOARD

- Durable steel inner frame engineered for long-lasting strength and resistance to corrosion
- Reinforced base platform with integrated sliding system for silent operation and enhanced durability
- Reinforced high-strength legs designed for durability and easy floor cleaning
- Ergonomic fabric-covered handles offering both comfort and refined aesthetics
- Full-width storage capacity maximising usable space
- Gas lift system reinforced with safety locks for secure and controlled operation for you and your family
- Ventilation capsules designed to prevent moisture build-up and odour formation



## GREY STONE MATTRESS

Designed for balanced support and everyday comfort, the Grey Stone Mattress features a 1000-count pocket spring system combined with advanced Hyper Soft foam layers. Individually encased springs adapt to body movement, supporting natural spinal alignment, while the comfort layers create a soft, pressure-relieving sleep surface. Reinforced edge support enhances durability and helps maintain the mattress shape over time. This well-balanced construction delivers a stable, quiet, and consistently comfortable sleep experience.



**3**  
years  
Warranty

↑ 26 cm

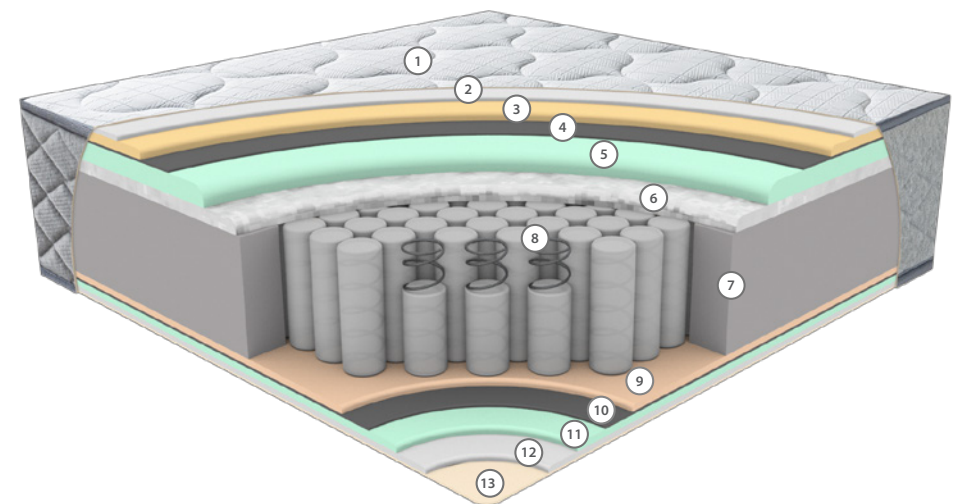
## HYPER SOFT FOAM

Hyper Soft foam is a specially engineered material with an ultra-soft and highly elastic structure. It distributes pressure evenly while maximising comfort during body contact with the mattress. Used in the quilting layer, Hyper Soft foam provides a silky-soft touch and a superior level of comfort.



## ORTHOPEDIC

Experience unmatched support and comfort with an orthopedic mattress designed to align your spine and reduce pressure points. Ideal for those experiencing back or joint discomfort, it promotes healthy posture and enhances overall sleep quality.



Mattress Firmness Chart	H1	H2	H3	H4
	Soft	Medium	Hard	Ultra Hard
60 - 80 kg				
80 - 100 kg				
100 - 120 kg				
120 - 150 kg				

- 1 Quilted Fabric
- 2 Microfiber Filling
- 3 Hyper Soft Foam
- 4 Interlining
- 5 Comfort Foam
- 6 MilForm
- 7 Edge Support Foam
- 8 1000 Count Pocket Spring
- 9 Termo Felt
- 10 Interlining
- 11 Comfort Foam
- 12 Microfiber filling
- 13 Quilted Fabric

- Quilted Fabric
- Knitted Fabric
- Orthopedic
- One-Sided Use
- 4 Season Use
- Hyper Foam
- Pocket Spring System
- Roll Pack

NEW  
COLLECTION



## Relax Well

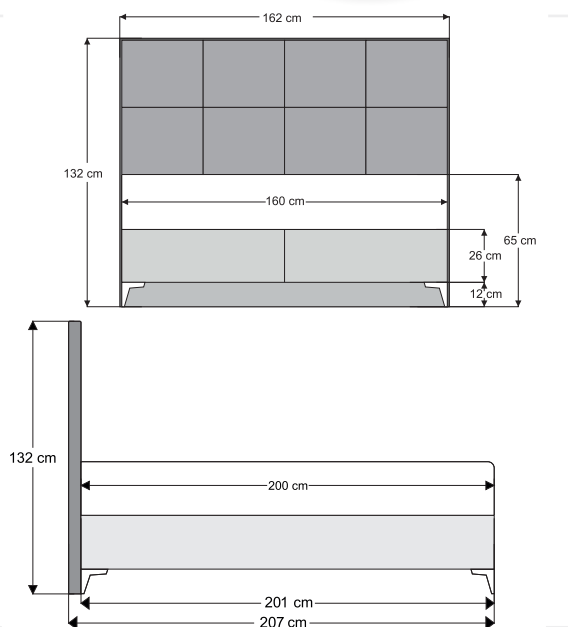
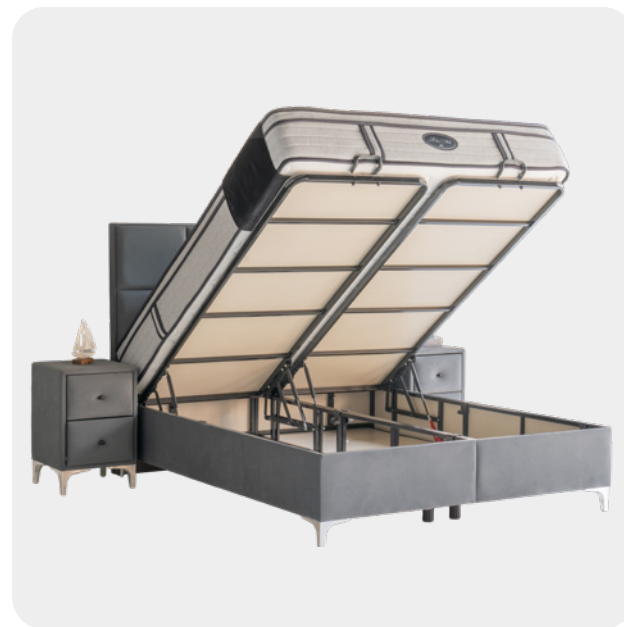
Reflecting timeless elegance and a sense of calm luxury, Relax Well brings a refined and confident presence to living spaces. Thoughtfully designed to enhance comfort and style, it creates a sophisticated atmosphere with a serene and balanced character.



# Relax Well

## BASE & HEADBOARD

- Durable steel inner frame engineered for long-lasting strength and resistance to corrosion
- Reinforced base platform with integrated sliding system for silent operation and enhanced durability
- Reinforced high-strength legs designed for durability and easy floor cleaning
- Ergonomic fabric-covered handles offering both comfort and refined aesthetics
- Full-width storage capacity maximising usable space
- Gas lift system reinforced with safety locks for secure and controlled operation for you and your family
- Ventilation capsules designed to prevent moisture build-up and odour formation



## RELAX WELL MATTRESS

Designed for balanced support and lasting comfort, the Relax Well Mattress features a 1000-count pocket spring system combined with advanced foam layers. Individually encased springs adapt to body movement, promoting natural spinal alignment, while the comfort layers create a soft, pressure-relieving surface. Reinforced edge support enhances durability and helps maintain the mattress shape over time. This well-structured design delivers a quiet, stable, and consistently comfortable sleep experience.



**3**  
years  
Warranty

↑ 27 cm

- Quilted Fabric
- Knitted Fabric
- Orthopedic
- One-Sided Use
- 4 Season Use
- Hyper Foam
- Pocket Spring System
- Roll Pack

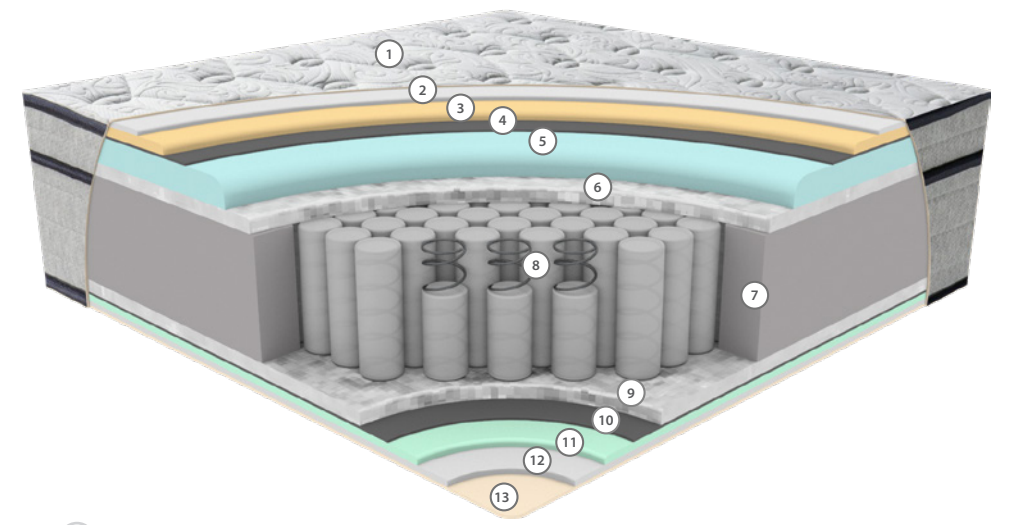
## HYPER SOFT FOAM

Hyper Soft foam is a specially engineered material with an ultra-soft and highly elastic structure. It distributes pressure evenly while maximising comfort during body contact with the mattress. Used in the quilting layer, Hyper Soft foam provides a silky-soft touch and a superior level of comfort.



## ORTHOPEDIC

Experience unmatched support and comfort with an orthopedic mattress designed to align your spine and reduce pressure points. Ideal for those experiencing back or joint discomfort, it promotes healthy posture and enhances overall sleep quality.



Mattress Firmness Chart	H1	H2	H3	H4
	Soft	Medium	Hard	Ultra Hard
60 - 80 kg				
80 - 100 kg				
100 - 120 kg				
120 - 150 kg				

- 1 Quilted Fabric
- 2 Microfiber Filling
- 3 Comfort Foam
- 4 Interlining
- 5 Shredded foam
- 6 MilForm
- 7 Support Foam
- 8 1000 Count Pocket Spring
- 9 MilForm
- 10 Interlining
- 11 Comfort Foam
- 12 Microfiber filling
- 13 Quilted Fabric

NEW  
COLLECTION



## Fun Double

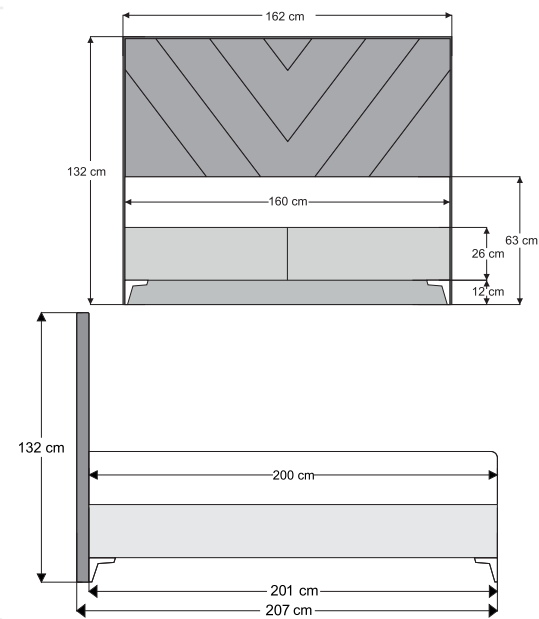
With its dynamic design lines and modern headboard form, Fun Double brings a stylish and contemporary character to the bedroom. Its comfort-focused structure and balanced design combine visual appeal with everyday ease, creating a refined, modern, and inviting atmosphere.



# Fun Double

## BASE & HEADBOARD

- Durable steel inner frame engineered for long-lasting strength and resistance to corrosion
- Reinforced base platform with integrated sliding system for silent operation and enhanced durability
- Reinforced high-strength legs designed for durability and easy floor cleaning
- Ergonomic fabric-covered handles offering both comfort and refined aesthetics
- Full-width storage capacity maximising usable space
- Gas lift system reinforced with safety locks for secure and controlled operation for you and your family
- Ventilation capsules designed to prevent moisture build-up and odour formation
- Anti-slip surface to keep the mattress securely in place



## FUN DOUBLE MATTRESS

Designed for balanced support and everyday comfort, the Fun Double Mattress features a pocket spring system combined with advanced Hyper Soft and comfort foam layers. Individually encased springs provide targeted support across different body zones, while soft layers create a smooth and pressure-relieving sleep surface. This multi-layer construction enhances durability and ensures a stable, quiet, and consistently comfortable sleep experience.



**3**  
years  
Warranty

↑ 26 cm

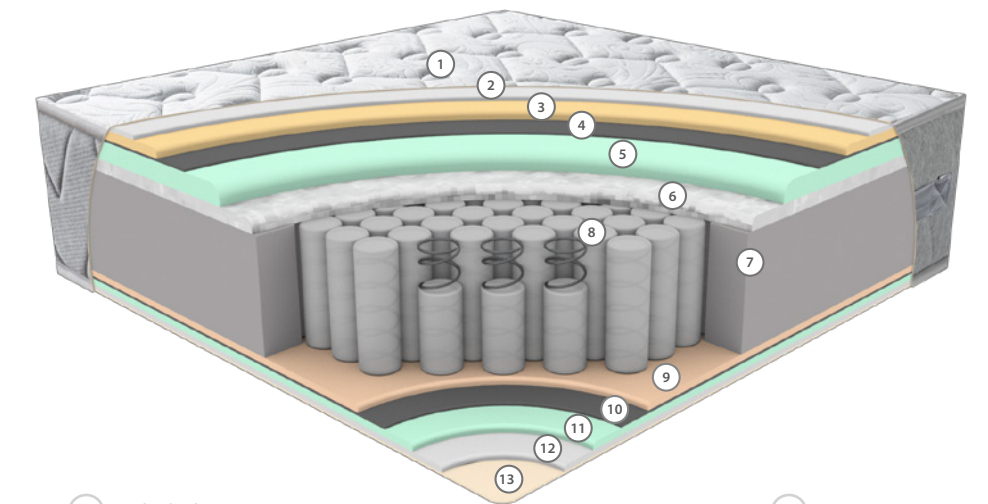
## HYPER SOFT FOAM

Hyper Soft foam is a specially engineered material with an ultra-soft and highly elastic structure. It distributes pressure evenly while maximising comfort during body contact with the mattress. Used in the quilting layer, Hyper Soft foam provides a silky-soft touch and a superior level of comfort.



## ORTHOPEDIC

Experience unmatched support and comfort with an orthopedic mattress designed to align your spine and reduce pressure points. Ideal for those experiencing back or joint discomfort, it promotes healthy posture and enhances overall sleep quality.



Mattress Firmness Chart	H1	H2	H3	H4
	Soft	Medium	Hard	Ultra Hard
60 - 80 kg				
80 - 100 kg				
100 - 120 kg				
120 - 150 kg				

- 1 Quilted Fabric
- 2 Micro Fiber Filling
- 3 Hyper Soft Foam
- 4 Interlining
- 5 Comfort Foam
- 6 Milform
- 7 Edge Support Foam
- 8 1000 Count Pocket Spring
- 9 Termo Felt
- 10 Interlining
- 11 Comfort Foam
- 12 Micro Fiber Filling
- 13 Quilted Fabric

- Quilted Fabric
- Knitted Fabric
- Orthopedic
- One-Sided Use
- 4 Season Use
- Hyper Foam
- Pocket Spring System
- Roll Pack

NEW  
COLLECTION



## Essential

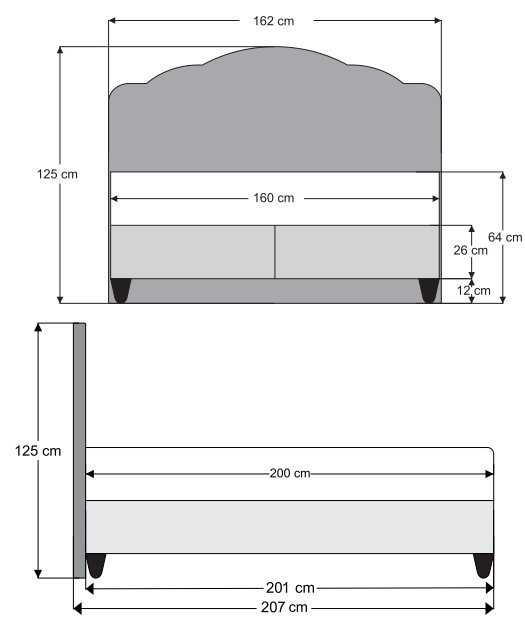
With its refined form and clean design approach, Essential brings a natural sense of elegance to the bedroom. Soft lines and a balanced structure combine comfort with simplicity, creating a calm, modern, and timeless atmosphere in any living space.



# Essential

## BASE & HEADBOARD

- Durable steel inner frame engineered for long-lasting strength and resistance to corrosion
- Reinforced base platform with integrated sliding system for silent operation and enhanced durability
- Reinforced high-strength legs designed for durability and easy floor cleaning
- Ergonomic fabric-covered handles offering both comfort and refined aesthetics
- Full-width storage capacity maximising usable space
- Gas lift system reinforced with safety locks for secure and controlled operation for you and your family
- Ventilation capsules designed to prevent moisture build-up and odour formation
- Anti-slip surface to keep the mattress securely in place



## ESSENTIAL MATTRESS

Designed for reliable support and everyday comfort, the Essential Mattress features a pocket spring system combined with advanced Hyper Soft foam technology. Individually encased springs provide targeted support across different body zones, while the soft comfort layers enhance pressure relief and overall relaxation. This well-balanced construction ensures long-lasting performance and delivers a calm, stable, and consistently comfortable sleep experience.



**3**  
years  
Warranty

↑ 26 cm

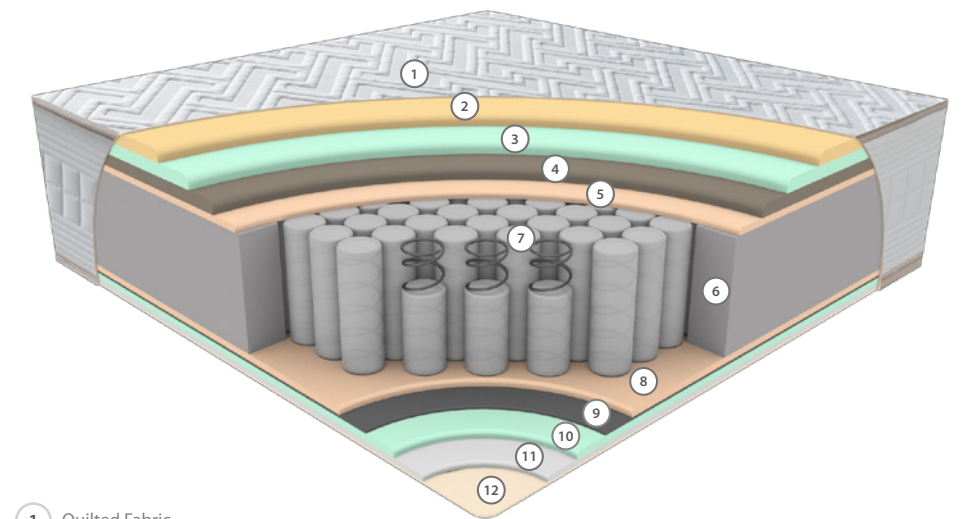
## HYPER SOFT FOAM

Hyper Soft foam is a specially engineered material with an ultra-soft and highly elastic structure. It distributes pressure evenly while maximising comfort during body contact with the mattress. Used in the quilting layer, Hyper Soft foam provides a silky-soft touch and a superior level of comfort.



## POCKET SPRING SYSTEM

The pocket spring system is an innovative design where each spring is individually encased in its own fabric pocket. This independent structure provides tailored support to every part of the body, ensuring optimal alignment. By minimising motion transfer, it delivers a peaceful and undisturbed sleep experience with superior comfort.



Mattress Firmness Chart	H1	H2	H3	H4
	Soft	Medium	Hard	Ultra Hard
60 - 80 kg				
80 - 100 kg				
100 - 120 kg				
120 - 150 kg				

- 1 Quilted Fabric
- 2 Hyper Soft Foam
- 3 Comfort Foam
- 4 Rebond Foam
- 5 Termo Felt
- 6 Edge Support Foam
- 7 1000 Count Pocket Spring
- 8 Termo Felt
- 9 Interlining
- 10 Comfort Foam
- 11 Micro Fiber Filling
- 12 Quilted Fabric



NEW  
COLLECTION



# Point

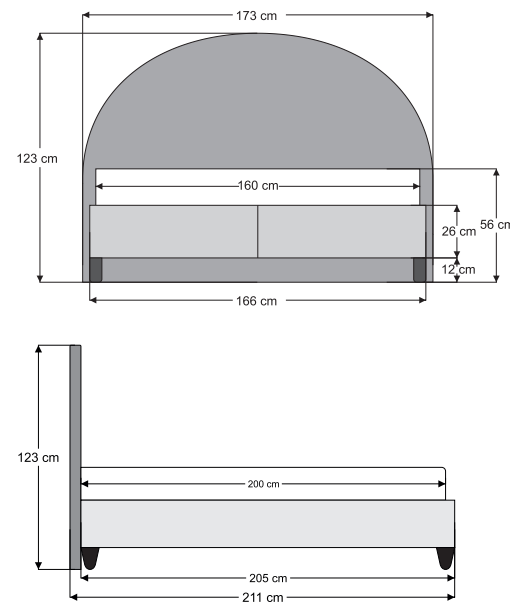
With its soft lines and distinctive headboard design, Point brings a modern yet welcoming character to the bedroom. Its comfort-focused structure and refined form combine style with ease, creating a warm, elegant, and inviting atmosphere in any living space.



# Point

## BASE & HEADBOARD

- Durable steel inner frame engineered for long-lasting strength and resistance to corrosion
- Reinforced base platform with integrated sliding system for silent operation and enhanced durability
- Reinforced high-strength legs designed for durability and easy floor cleaning
- Ergonomic fabric-covered handles offering both comfort and refined aesthetics
- Full-width storage capacity maximising usable space
- Gas lift system reinforced with safety locks for secure and controlled operation for you and your family
- Ventilation capsules designed to prevent moisture build-up and odour formation
- 5 cm deep recessed base design to keep the mattress securely in place



Set Includes: Point Base, Point Headboard, Point Mattress, Point Nightstand

## POINT MATTRESS

Built for dependable comfort and balanced support, the Point Mattress features a pocket spring system combined with advanced Hyper Soft foam layers. Individually encased springs provide targeted support across different body zones, promoting proper spinal alignment, while soft comfort layers enhance pressure relief. Reinforced structure ensures long-lasting durability and shape stability. Designed for everyday use, it delivers a quiet, supportive, and consistently comfortable sleep experience.



**3**  
years  
Warranty

↑ 26 cm

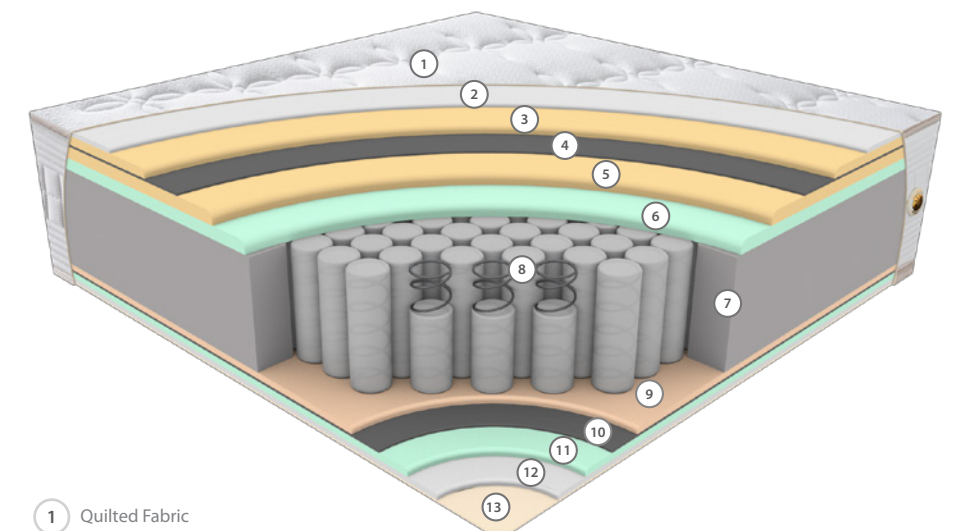
## HYPER SOFT FOAM

Hyper Soft foam is a specially engineered material with an ultra-soft and highly elastic structure. It distributes pressure evenly while maximising comfort during body contact with the mattress. Used in the quilting layer, Hyper Soft foam provides a silky-soft touch and a superior level of comfort.



## POCKET SPRING SYSTEM

The pocket spring system is an innovative design where each spring is individually encased in its own fabric pocket. This independent structure provides tailored support to every part of the body, ensuring optimal alignment. By minimising motion transfer, it delivers a peaceful and undisturbed sleep experience with superior comfort.



Mattress Firmness Chart	H1	H2	H3	H4
	Soft	Medium	Hard	Ultra Hard
60 - 80 kg				
80 - 100 kg				
100 - 120 kg				
120 - 150 kg				

90x190 90x200 100x200 120x200 140x190 140x200 150x200 160x200 180x200 200x200

- Quilted Fabric
- Knitted Fabric
- Orthopedic
- One-Sided Use
- 4 Season Use
- Hyper Foam
- Pocket Spring System
- Roll Pack

NEW  
COLLECTION



## Leda

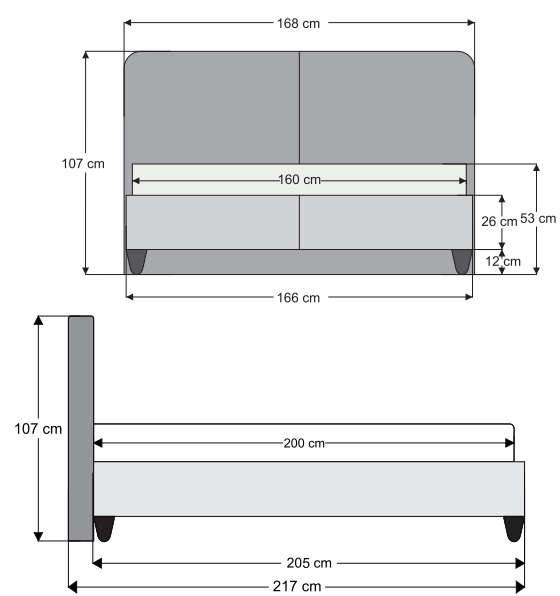
With its soft contours and understated design language, Leda brings a natural sense of elegance to the bedroom. Its balanced proportions and comfort-focused structure create a harmonious blend of style and relaxation. Designed to enhance everyday living, it offers a calm, refined atmosphere while maintaining a modern and inviting character.



# Leda

## BASE & HEADBOARD

- Durable internal steel construction resistant to rust and deformation.
- Reinforced sliding mechanism integrated into the base platform for silent operation and long-lasting performance.
- Elevated, sturdy legs for easier floor cleaning and improved durability.
- Upholstered fabric handles designed for both aesthetics and easy use.
- Spacious storage compartment across the full bed width.
- Gas lift system reinforced with safety locks for secure and effortless opening.
- Ventilation capsules to prevent moisture and odour build-up.
- 5 cm recessed base system to prevent mattress movement.



Set Includes: LEDA SET / Leda Base, Leda Headboard, Leda Mattress, Leda Nightstand

## LEDA MATTRESS

Designed for balanced comfort and long-lasting support, the Leda Mattress features a high-density block foam core combined with advanced Hyper Soft foam layers. This structure adapts gently to the body while maintaining stability and proper support. Its multi-layer foam construction ensures pressure relief, durability, and a consistently comfortable sleep experience.



3  
years  
Warranty

22  
cm

- Knitted Fabric
- Orthopedic
- One-Sided Use
- 4 Season Use
- Hyper Foam
- Roll Pack

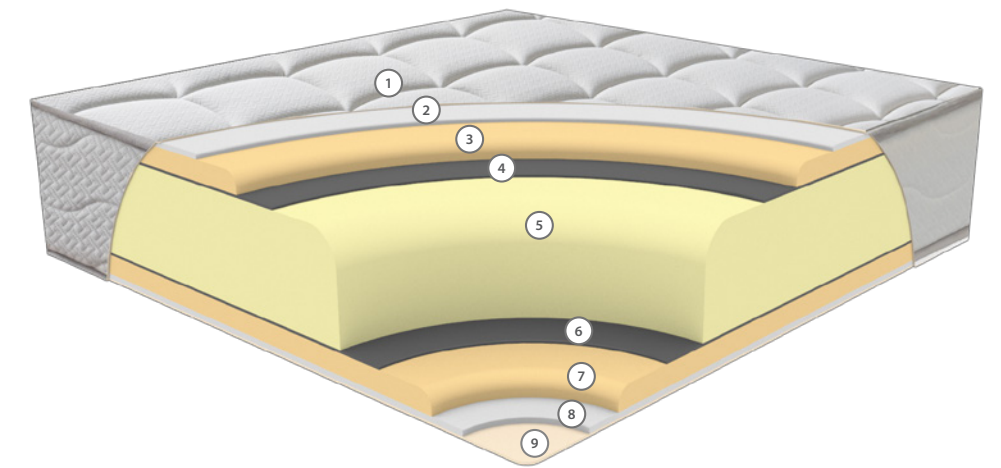
## HIGH-DENSITY SUPPORT FOAM CORE

High-Density Support Foam Core forms the structural foundation of the mattress, providing stable and consistent support across the entire surface. This durable core enhances spinal alignment, ensures long-term shape retention, and delivers reliable performance for everyday use.



## HYPER SOFT FOAM

Hyper Soft foam is a specially developed, highly elastic comfort layer that delivers an exceptionally soft and adaptive surface feel. It distributes pressure evenly, enhancing comfort at the point of contact, while offering a smooth, plush sleeping experience.



Mattress Firmness Chart	H1	H2	H3	H4
	Soft	Medium	Hard	Ultra Hard
60 - 80 kg				
80 - 100 kg				
100 - 120 kg				
120 - 150 kg				

- 1 Quilted Fabric
- 2 Micro Fiber Filling
- 3 Hyper Soft Foam
- 4 Interlining
- 5 Block Comfort Foam
- 6 Interlining
- 7 Hyper Soft Foam
- 8 Micro Fiber Filling
- 9 Quilted Fabric

90x190 90x200 100x200 120x200 140x190 140x200 150x200 160x200 180x200 200x200

NEW  
COLLECTION



## Duke

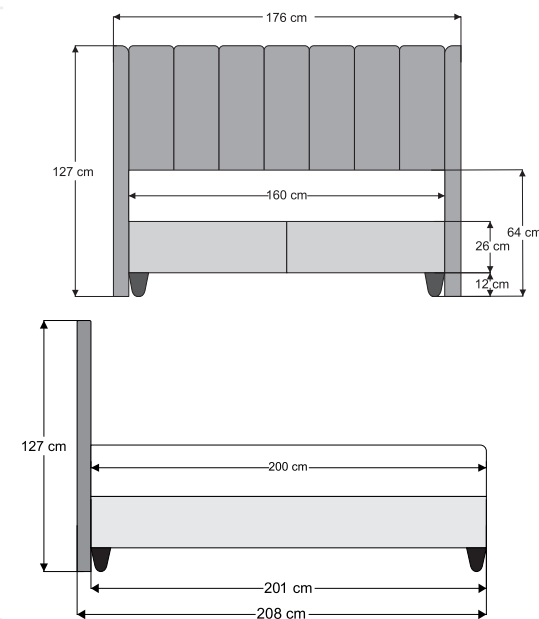
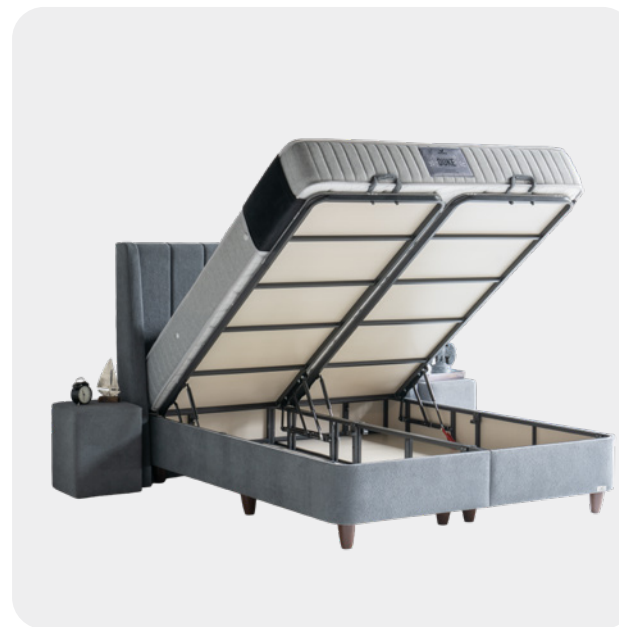
With its bold lines and modern headboard design, Duke brings a strong yet refined character to the bedroom. Its clean form and balanced proportions create a confident aesthetic while maintaining everyday comfort. Designed to combine visual impact with functionality, it introduces a modern, composed, and inviting atmosphere to any living space.



# Duke

## BASE & HEADBOARD

- Durable internal steel construction resistant to rust and deformation.
- Reinforced sliding mechanism integrated into the base platform for silent operation and enhanced durability.
- High-strength legs designed for stability and easier floor cleaning.
- Upholstered fabric handles offering both practicality and a refined finish.
- Full-width storage compartment for maximum space efficiency.
- Gas lift system reinforced with safety locks for secure and effortless use.
- Ventilation capsules to prevent moisture and odour build-up.
- Special anti-slip surface to keep the mattress securely in place.



Set Includes: DUKE SET / Duke Base, Duke Headboard, Duke Mattress, Duke Nightstand

## DUKE MATTRESS

Engineered for dependable support and everyday comfort, the Duke Mattress features a High-Density Support Foam Core combined with advanced Hyper Soft foam layers. This structure delivers stable support while gently adapting to the body for improved pressure distribution. Designed for durability and consistent performance, it offers a balanced, quiet, and long-lasting sleep experience.



**3**  
years  
Warranty

↑ 26  
cm

- Kenar Destek Süngerli Quilted Fabric
- Knitted Fabric
- Orthopedic
- One-Sided Use
- 4 Season Use
- Hyper Foam
- Roll Pack

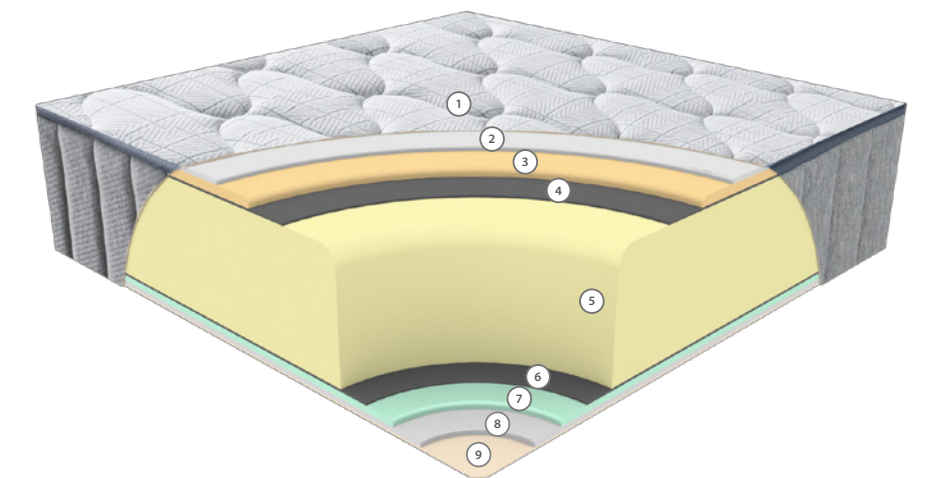
## HIGH-DENSITY SUPPORT FOAM CORE

High-Density Support Foam Core forms the structural foundation of the mattress, providing stable and consistent support across the entire surface. This durable core enhances spinal alignment, ensures long-term shape retention, and delivers reliable performance for everyday use.



## HYPER SOFT FOAM

Hyper Soft foam is a specially developed, highly elastic comfort layer that delivers an exceptionally soft and adaptive surface feel. It distributes pressure evenly, enhancing comfort at the point of contact, while offering a smooth, plush sleeping experience.



- 1 Quilted Fabric
- 2 Microfiber Filling
- 3 Hyper Soft Foam
- 4 Interlining
- 5 Block Comfort Foam
- 6 Interlining
- 7 Comfort Foam
- 8 Microfiber filling
- 9 Quilted Fabric

Mattress Firmness Chart	H1	H2	H3	H4
	Soft	Medium	Hard	Ultra Hard
60 - 80 kg				
80 - 100 kg				
100 - 120 kg				
120 - 150 kg				

90x190 90x200 100x200 120x200 140x190 140x200 150x200 160x200 180x200 200x200

NEW  
COLLECTION



## Leda XL

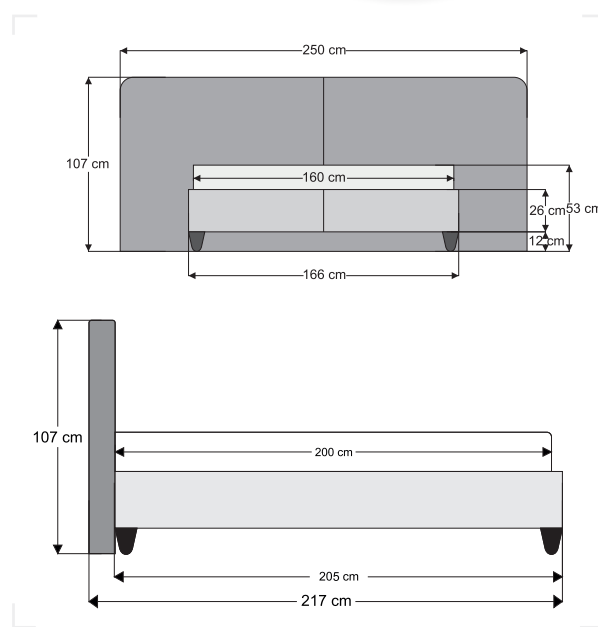
With its generously scaled headboard, Leda XL stands out as a statement of modern luxury. The wide, structured form delivers both visual impact and enhanced comfort, creating a refined and balanced bedroom atmosphere.



# Leda XL

## BASE & HEADBOARD

- Internal steel construction resistant to rust and corrosion.
- Reinforced sliding mechanism integrated into the base panel to prevent noise and enhance durability.
- High and durable legs designed for easier floor cleaning.
- Aesthetic and easy-to-grip fabric handles.
- Spacious storage compartment across the full bed width.
- Gas lift system and hinges reinforced with safety locks for enhanced user safety.
- Ventilation capsules to prevent moisture and odor formation.
- 5 cm deep recessed base structure to prevent mattress movement.



Set Includes: Leda XL Set / Leda XL Base, Leda XL Headboard, Leda Mattress, Leda XL Nightstand, Leda XL Bench

## LEDA MATTRESS

Designed for balanced comfort and long-lasting support, the Leda Mattress features a high-density block foam core combined with advanced Hyper Soft foam layers. This structure adapts gently to the body while maintaining stability and proper support. Its multi-layer foam construction ensures pressure relief, durability, and a consistently comfortable sleep experience.



**3**  
years  
Warranty

↑ 22  
cm

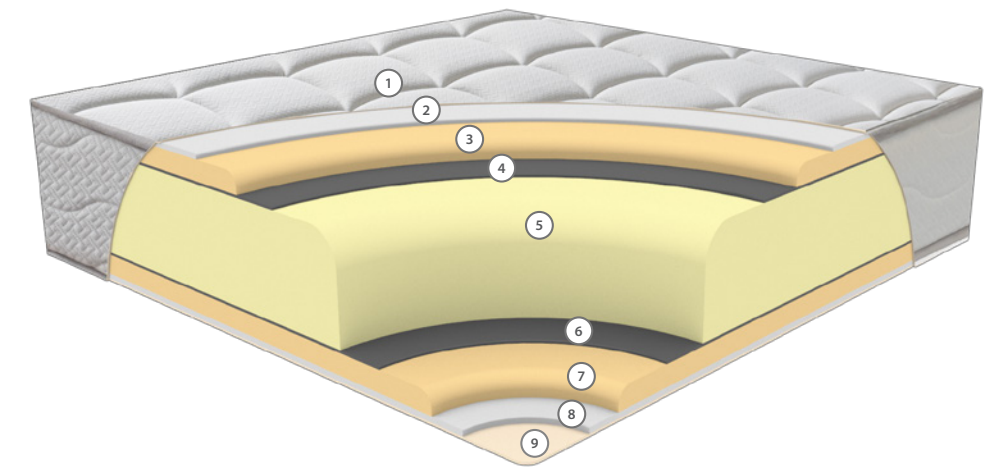
## HIGH-DENSITY SUPPORT FOAM CORE

High-Density Support Foam Core forms the structural foundation of the mattress, providing stable and consistent support across the entire surface. This durable core enhances spinal alignment, ensures long-term shape retention, and delivers reliable performance for everyday use.



## HYPER SOFT FOAM

Hyper Soft foam is a specially developed, highly elastic comfort layer that delivers an exceptionally soft and adaptive surface feel. It distributes pressure evenly, enhancing comfort at the point of contact, while offering a smooth, plush sleeping experience.



Mattress Firmness Chart	H1	H2	H3	H4
	Soft	Medium	Hard	Ultra Hard
60 - 80 kg				
80 - 100 kg				
100 - 120 kg				
120 - 150 kg				

- 1 Quilted Fabric
- 2 Micro Fiber Filling
- 3 Hyper Soft Foam
- 4 Interlining
- 5 Block Comfort Foam
- 6 Interlining
- 7 Hyper Soft Foam
- 8 Micro Fiber Filling
- 9 Quilted Fabric

- Knitted Fabric
- Orthopedic
- One-Sided Use
- 4 Season Use
- Hyper Foam
- Roll Pack

90x190 90x200 100x200 120x200 140x190 140x200 150x200 160x200 180x200 200x200

NEW  
COLLECTION



## Diamond XL

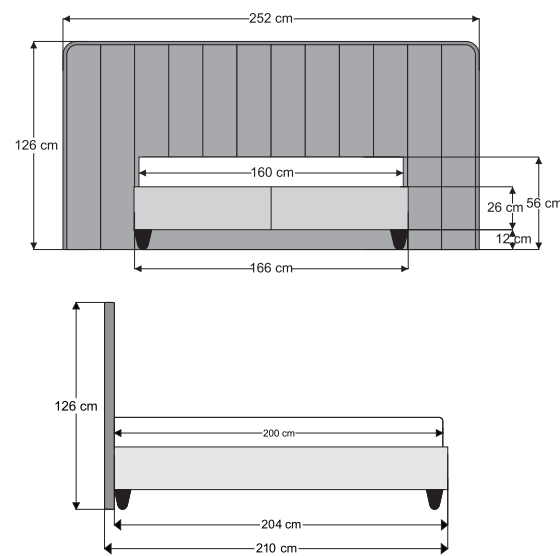
Defined by its wide and powerful headboard design, Diamond XL brings a bold and contemporary character to the bedroom. Its clean lines and balanced proportions create a refined aesthetic, while its comfort-focused structure enhances everyday living. Combining elegance with functionality, Diamond XL delivers a sophisticated, spacious, and inviting atmosphere that elevates modern interiors.



# Diamond XL

## BASE & HEADBOARD

- Internal steel construction resistant to rust and corrosion.
- Reinforced sliding mechanism integrated into the base panel to prevent noise and enhance durability.
- High and durable wooden legs designed for easier floor cleaning.
- Aesthetic and easy-to-grip fabric handles.
- Spacious storage compartment across the full bed width.
- Gas lift system and hinges reinforced with safety locks for enhanced user safety.
- Ventilation capsules to prevent moisture and odor formation.
- 5 cm deep recessed base structure to prevent mattress movement.



Set Includes: Diamond XL Set / Diamond XL Base, Diamond XL Headboard, Diamond Mattress, Diamond XL Nightstand, Diamond XL Bench

## DIAMOND MATTRESS

Designed to deliver elevated comfort and balanced support, the Diamond Mattress features a 1000-count pocket spring system combined with advanced comfort layers. Individually wrapped springs adapt to body movements, supporting natural spinal alignment, while multi-layer foam construction enhances softness and pressure relief. Reinforced edge support helps maintain shape over time, ensuring long-lasting durability. This refined combination offers a smooth, quiet, and uninterrupted sleep experience.



**3**  
years  
Warranty

↑ 25 cm

- Quilted Fabric
- Knitted Fabric
- Orthopedic
- One-Sided Use
- 4 Season Use
- Hyper Foam
- Pocket Spring System

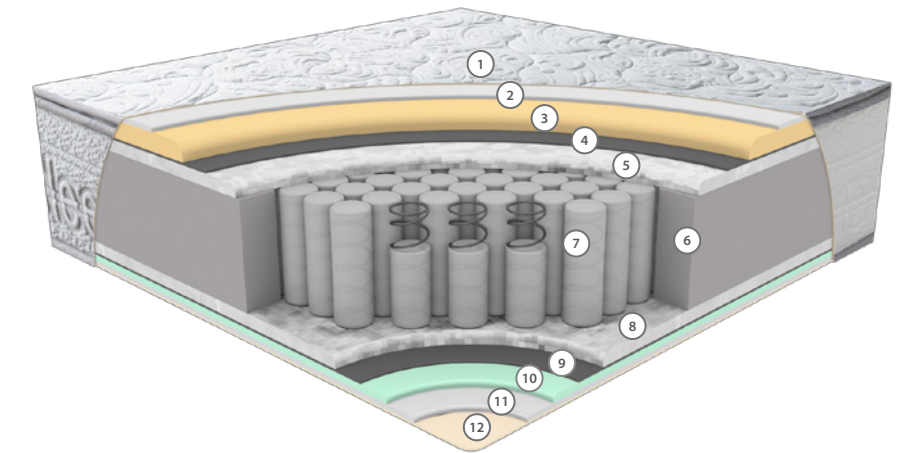
## HYPER SOFT FOAM

Hyper Soft foam is a specially engineered material with an ultra-soft and highly elastic structure. It distributes pressure evenly while maximising comfort during body contact with the mattress. Used in the quilting layer, Hyper Soft foam provides a silky-soft touch and a superior level of comfort.



## ORTHOPEDIC

Experience unmatched support and comfort with an orthopedic mattress designed to align your spine and reduce pressure points. Ideal for those experiencing back or joint discomfort, it promotes healthy posture and enhances overall sleep quality.



Mattress Firmness Chart	H1	H2	H3	H4
	Soft	Medium	Hard	Ultra Hard
60 - 80 kg				
80 - 100 kg				
100 - 120 kg				
120 - 150 kg				

- 1 Quilted Fabric
- 2 Microfiber Filling
- 3 Hyper Soft Foam
- 4 Interlining
- 5 MilFrom
- 6 Edge Support Foam
- 7 1000 Count Pocket Spring
- 8 MilForm
- 9 Interlining
- 10 Comfort Foam
- 11 Microfiber filling
- 12 Quilted Fabric

90x190 90x200 100x200 120x200 140x190 140x200 150x200 160x200 180x200 200x200

NEW  
COLLECTION



## Relax Well XL

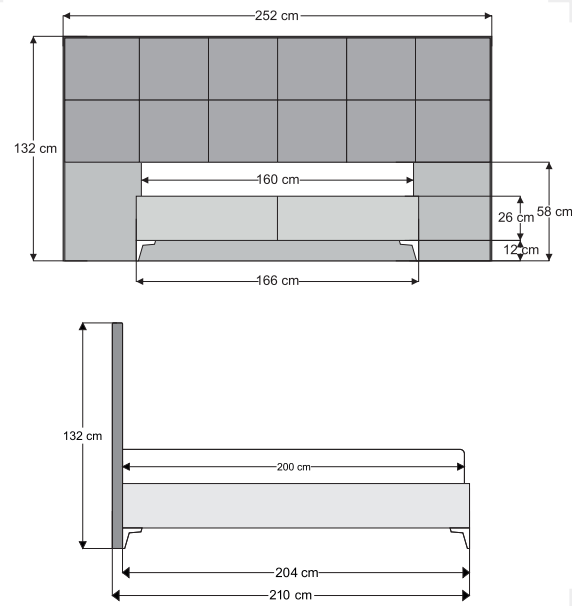
Defined by its wide and structured headboard, Relax Well XL introduces a strong and sophisticated presence to the bedroom. Its balanced design and clean lines create a modern aesthetic, while its comfort-focused construction enhances everyday living. Combining visual depth with refined elegance, Relax Well XL transforms bedroom spaces into stylish, calm, and inviting environments.



# Relax Well XL

## BASE & HEADBOARD

- Internal steel construction resistant to rust and corrosion.
- Reinforced sliding mechanism integrated into the base panel to prevent noise and enhance durability.
- High and durable reinforced legs designed for easier floor cleaning.
- Aesthetic and easy-to-grip fabric handles.
- Spacious storage compartment across the full bed width.
- Gas lift system and hinges reinforced with safety locks for enhanced user safety.
- Ventilation capsules to prevent moisture and odor formation.
- 5 cm deep recessed base structure to prevent mattress movement.



Set Includes: Relax Well XL Set / Relax Well XL Base, Relax Well XL Headboard, Relax Well Mattress, Relax Well XL Nightstand, Relax Well XL Bench

## RELAX WELL MATTRESS

Designed for balanced support and lasting comfort, the Relax Well Mattress features a 1000-count pocket spring system combined with advanced foam layers. Individually encased springs adapt to body movement, promoting natural spinal alignment, while the comfort layers create a soft, pressure-relieving surface. Reinforced edge support enhances durability and helps maintain the mattress shape over time. This well-structured design delivers a quiet, stable, and consistently comfortable sleep experience.



**3**  
years  
Warranty

↑ 27 cm

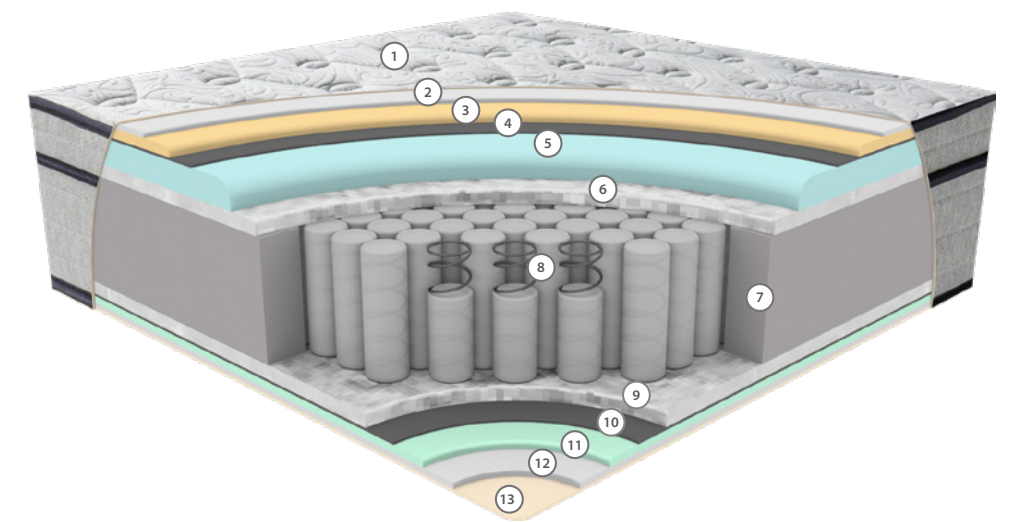
## HYPER SOFT FOAM

Hyper Soft foam is a specially engineered material with an ultra-soft and highly elastic structure. It distributes pressure evenly while maximising comfort during body contact with the mattress. Used in the quilting layer, Hyper Soft foam provides a silky-soft touch and a superior level of comfort.



## ORTHOPEDIC

Experience unmatched support and comfort with an orthopedic mattress designed to align your spine and reduce pressure points. Ideal for those experiencing back or joint discomfort, it promotes healthy posture and enhances overall sleep quality.



Mattress Firmness Chart	H1	H2	H3	H4
	Soft	Medium	Hard	Ultra Hard
60 - 80 kg				
80 - 100 kg				
100 - 120 kg				
120 - 150 kg				

- 1 Quilted Fabric
- 2 Microfiber Filling
- 3 Comfort Foam
- 4 Interlining
- 5 Shredded foam
- 6 MilForm
- 7 Support Foam
- 8 1000 Count Pocket Spring
- 9 MilForm
- 10 Interlining
- 11 Comfort Foam
- 12 Microfiber filling
- 13 Quilted Fabric

90x190 90x200 100x200 120x200 140x190 140x200 150x200 160x200 180x200 200x200

- Quilted Fabric
- Knitted Fabric
- Orthopedic
- One-Sided Use
- 4 Season Use
- Hyper Foam
- Pocket Spring System
- Roll Pack

NEW  
COLLECTION



V

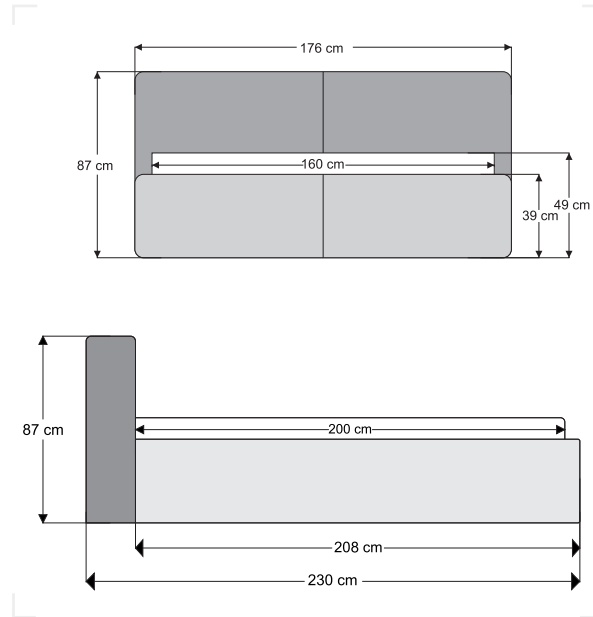
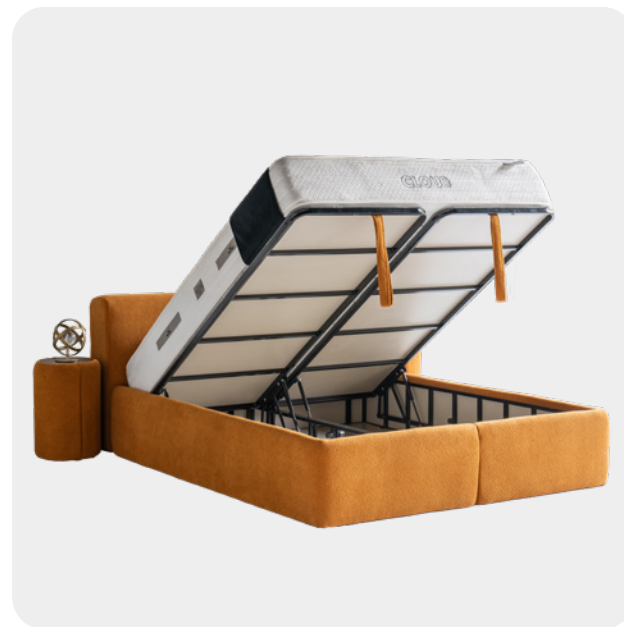
Defined by its soft lines and distinctive form, Liva brings a modern and unique character to the bedroom. Its strong design language combined with a comfort-focused structure creates a refined balance between style and functionality. With its inviting appearance and elegant presence, Liva transforms living spaces into warm, sophisticated, and visually striking environments.



# Liva

## BASE & HEADBOARD

- Internal steel construction resistant to rust and corrosion.
- Reinforced sliding mechanism integrated into the base panel to prevent noise and enhance durability.
- High and durable reinforced legs designed for easier floor cleaning.
- Aesthetic and easy-to-grip fabric handles.
- Spacious storage compartment across the full bed width.
- Gas lift system and hinges reinforced with safety locks for enhanced user safety.
- Ventilation capsules to prevent moisture and odor formation.
- 15 cm deep recessed base structure to prevent mattress movement.



Set Includes: Liva Set / Liva Base, Liva Headboard, Cloud Mattress, Liva Nightstand

## CLOUD MATTRESS

Designed for elevated comfort and balanced support, Cloud Mattress features a 1000-count pocket spring system combined with advanced Hyper Soft foam layers. Independently encased springs adapt to body movement to support natural spinal alignment, while Miliform and microfibre layers create a soft, enveloping surface. Reinforced edge support enhances durability and shape retention, delivering a quiet, stable, and premium sleep experience.



**3**  
years  
Warranty

↑ 27 cm

- Plush Fabric
- Quilted Fabric
- Knitted Fabric
- Orthopedic
- One-Sided Use
- 4 Season Use
- Pocket Spring System

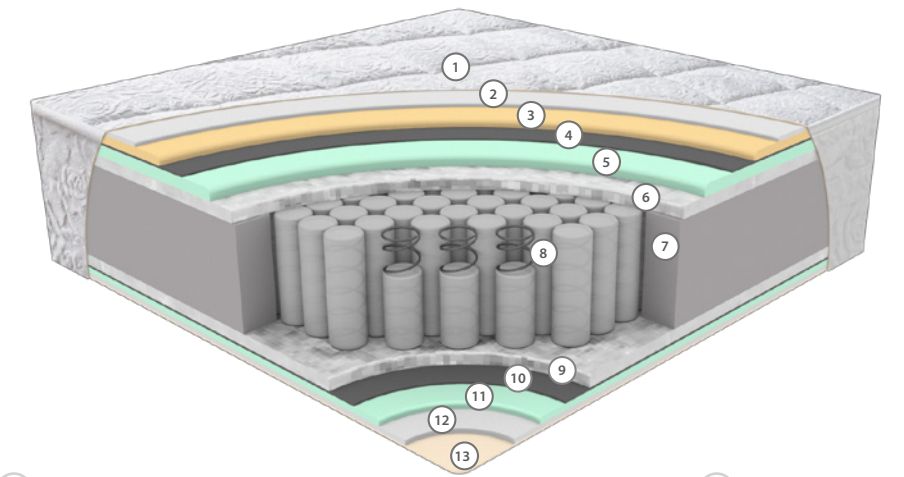
## POCKET SPRING SYSTEM

The pocket spring system features individually encased springs, each placed in its own fabric pocket. This independent structure provides targeted support for every part of the body, ensuring optimal alignment and comfort. By minimizing motion transfer, it delivers a peaceful and uninterrupted sleep experience with superior comfort.



## ORTHOPEDIC

Experience superior support and comfort with an orthopedic mattress designed to align the spine and reduce pressure points. Ideal for those with back or joint discomfort, it promotes healthy posture and enhances overall sleep quality.



Mattress Firmness Chart	H1	H2	H3	H4
	Soft	Medium	Hard	Ultra Hard
60 - 80 kg				
80 - 100 kg				
100 - 120 kg				
120 - 150 kg				

- 1 Quilted Fabric
- 2 Micro Fiber Filling
- 3 Hyper Soft Foam
- 4 Interlining
- 5 Comfort Foam
- 6 Milform
- 7 Edge Support Foam
- 8 1000 Count Pocket Spring
- 9 Milform
- 10 Interlining
- 11 Comfort Foam
- 12 Micro Fiber Filling
- 13 Quilted Fabric

90x190 90x200 100x200 120x200 140x190 140x200 150x200 160x200 180x200 200x200

NEW  
COLLECTION



# Cloud

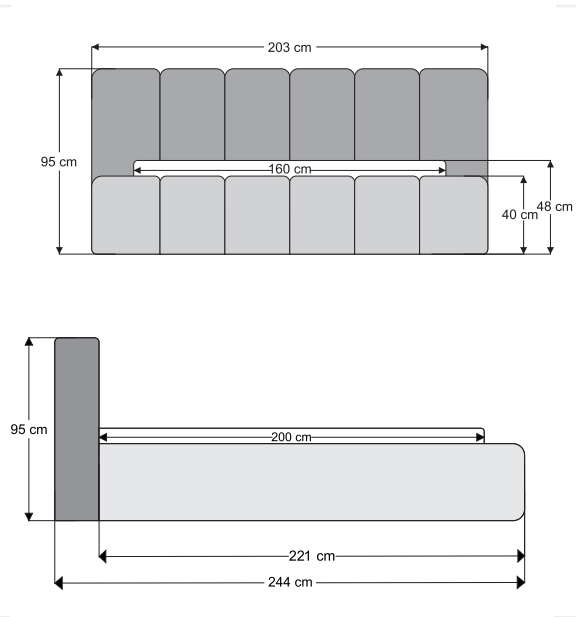
Defined by its soft curves and flowing design language, Cloud brings a modern and refined elegance to the bedroom. Its voluminous form and comfort-focused structure create a perfect balance between aesthetics and relaxation. With its inviting presence and smooth silhouette, Cloud transforms living spaces into calm, stylish, and welcoming environments.



# Cloud

## BASE & HEADBOARD

- Internal steel construction resistant to rust and corrosion.
- Reinforced sliding mechanism integrated into the base panel to prevent noise and enhance durability.
- High and durable reinforced legs designed for easier floor cleaning.
- Aesthetic and easy-to-grip fabric handles.
- Spacious storage compartment across the full bed width.
- Gas lift system and hinges reinforced with safety locks for enhanced user safety.
- Ventilation capsules to prevent moisture and odor formation.
- 15 cm deep recessed base structure to prevent mattress movement.



## CLOUD MATTRESS

Designed for elevated comfort and balanced support, Cloud Mattress features a 1000-count pocket spring system combined with advanced Hyper Soft foam layers. Independently encased springs adapt to body movement to support natural spinal alignment, while Miliform and microfibre layers create a soft, enveloping surface. Reinforced edge support enhances durability and shape retention, delivering a quiet, stable, and premium sleep experience.



**3**  
years  
Warranty

↑ 27  
cm

- Plush Fabric
- Quilted Fabric
- Knitted Fabric
- Orthopedic
- One-Sided Use
- 4 Season Use
- Pocket Spring System

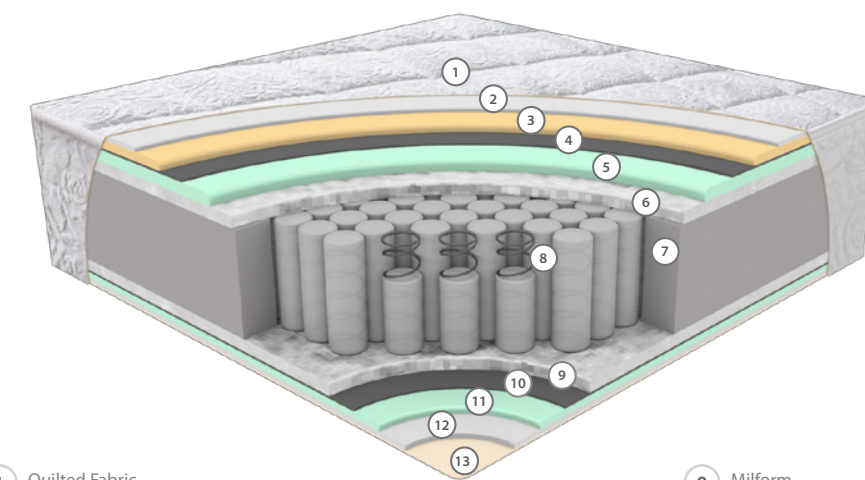
## POCKET SPRING SYSTEM

The pocket spring system features individually encased springs, each placed in its own fabric pocket. This independent structure provides targeted support for every part of the body, ensuring optimal alignment and comfort. By minimizing motion transfer, it delivers a peaceful and uninterrupted sleep experience with superior comfort.



## ORTHOPEDIC

Experience superior support and comfort with an orthopedic mattress designed to align the spine and reduce pressure points. Ideal for those with back or joint discomfort, it promotes healthy posture and enhances overall sleep quality.



- 1 Quilted Fabric
- 2 Micro Fiber Filling
- 3 Hyper Soft Foam
- 4 Interlining
- 5 Comfort Foam
- 6 Miliform
- 7 Edge Support Foam
- 8 1000 Count Pocket Spring
- 9 Miliform
- 10 Interlining
- 11 Comfort Foam
- 12 Micro Fiber Filling
- 13 Quilted Fabric

Mattress Firmness Chart	H1	H2	H3	H4
	Soft	Medium	Hard	Ultra Hard
60 - 80 kg				
80 - 100 kg				
100 - 120 kg				
120 - 150 kg				

- 90x190
- 90x200
- 100x200
- 120x200
- 140x190
- 140x200
- 150x200
- 160x200
- 180x200
- 200x200



## NEW COLLECTION

### Lucas

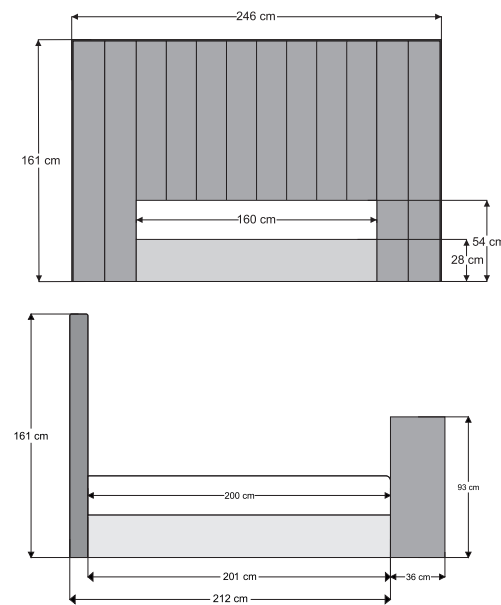
Bold lines and a statement headboard design define Lucas, bringing a strong and sophisticated character to bedroom spaces. With its premium materials and refined craftsmanship, it delivers both visual impact and lasting comfort. Its balanced structure combines modern elegance with a luxurious touch, creating a distinctive and inviting atmosphere.



# Lucas

## BASE & HEADBOARD

- Aesthetic and integrated TV lift unit positioned at the footboard, offering both functionality and smart storage.
- Sliding mechanism integrated into the base platform to enhance durability and prevent noise.
- Fabric-covered metal handles designed for easy grip and refined appearance.
- Special anti-slip surface to prevent mattress movement.
- Spacious storage base providing full bed-width usability.
- Reinforced gas lift system with safety locks for secure use for you and your children.
- Ventilation capsules that help prevent moisture and odor formation.
- Rust- and corrosion-resistant steel internal construction.
- Optional foot-end TV module and side-opening base mechanism.



## LUCAS MATTRESS

Designed for year-round comfort, Lucas combines a 1000-count pocket spring system with multi-layer Hyper Soft foam to deliver balanced support and a smooth sleeping surface. Independent springs enhance spinal alignment, while foam layers and microfiber padding provide lasting durability and uninterrupted comfort.



**3**  
years  
Warranty

↑ 30  
cm

- Plush Fabric
- Quilted Fabric
- Orthopedic
- One-Sided Use
- 4 Season Use
- Hyper Foam
- Pocket Spring System

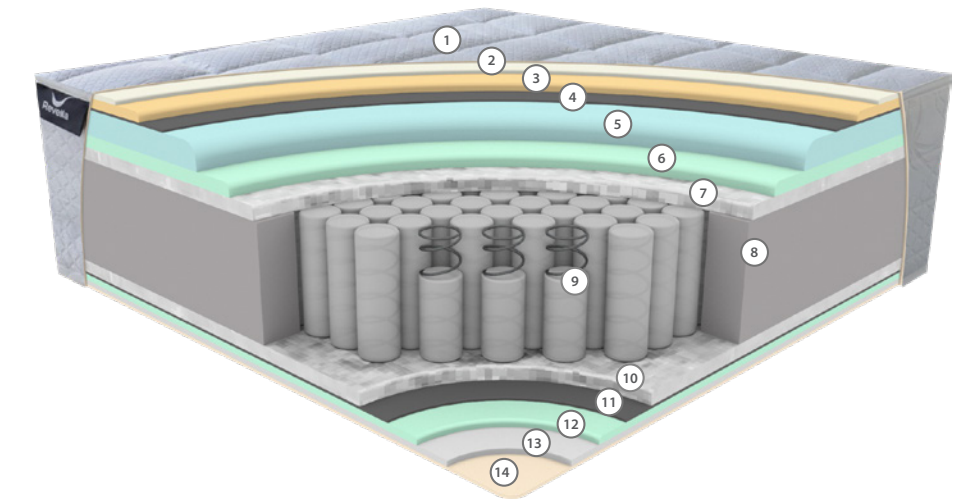


## POCKET SPRING SYSTEM

The pocket spring system is an innovative design in which each spring is individually enclosed in its own fabric pocket. This independent structure provides tailored support to every part of the body, ensuring exceptional comfort and alignment. By minimizing motion transfer, pocket springs deliver a peaceful sleep experience and superior comfort.

## ORTHOPEDIC

Experience exceptional support and comfort with the orthopedic mattress, designed to align your spine and reduce pressure points. Ideal for those suffering from back or joint pain, this orthopedic mattress promotes healthy posture and enhances sleep quality.



- 1 Quilted Fabric
- 2 Microfiber Filling
- 3 Hyper Soft Foam
- 4 Interlining
- 5 Rebond foam
- 6 Comfort Foam
- 7 MilForm
- 8 Edge Support Foam
- 9 1000 Count Pocket Spring
- 10 MilForm
- 11 Interlining
- 12 Comfort Foam
- 13 Micro Fiber Filling
- 14 Quilted Fabric

Mattress Firmness Chart	H1	H2	H3	H4
	Soft	Medium	Hard	Ultra Hard
60 - 80 kg				
80 - 100 kg				
100 - 120 kg				
120 - 150 kg				

140x200 150x200 160x200 180x200 200x200



# Nightstands



**DIAMOND**

Width: 40 cm  
Dept: 43 cm  
Height: 54 cm



**MIRACE**

Width: 40 cm  
Dept: 43 cm  
Height: 54 cm



**MAJESTY**

Width: 40 cm  
Dept: 43 cm  
Height: 54 cm



**GREYSTONE**

Width: 40 cm  
Dept: 43 cm  
Height: 52 cm



**FUN DOUBLE**

Width: 40 cm  
Dept: 43 cm  
Height: 52 cm



**RELAX**

Width: 40 cm  
Dept: 40 cm  
Height: 60 cm



**SILVER**

Width: 40 cm  
Dept: 45 cm  
Height: 52,5 cm



**SIENNA**

Width: 40 cm  
Dept: 45 cm  
Height: 52,5 cm



**DUKE**

Width: 36 cm  
Dept: 36 cm  
Height: 46 cm



**LIVA**

Height: 54 cm  
Diameter: 35 cm



**LEDA**

Height: 54 cm  
Diameter: 35 cm



**POINT**

Height: 54 cm  
Diameter: 35 cm



**BOHEM**

Height: 54 cm  
Diameter: 35 cm



**ESSENTIAL**

Height: 54 cm  
Diameter: 35 cm



**CLOUD**

Height: 54 cm  
Diameter: 35 cm



**DIAMOND XL**

Width: 40 cm  
Dept: 45 cm  
Height: 52,5 cm



**LEDA XL**

Height: 54 cm  
Diameter: 35 cm



**LUCAS**

Width: 40 cm  
Dept: 43 cm  
Height: 62 cm



# Bench



**DIAMOND XL**

Width: 145 cm  
 Dept: 40 cm  
 Height: 45 cm



**RELAX XL**

Width: 145 cm  
 Dept: 40 cm  
 Height: 45 cm



**LEDA XL**

Width: 145 cm  
 Dept: 40 cm  
 Height: 45 cm



## Smart Legs



**MILA**  
 Color: Gold  
 Height: 12 cm



**MILA**  
 Color: Silver  
 Height: 12 cm



**MILA**  
 Color: Black  
 Height: 12 cm



**MODA**  
 Color: Gold  
 Height: 12 cm



**MODA**  
 Color: Silver  
 Height: 12 cm



**MODA**  
 Color: Black  
 Height: 12 cm



**POLY**  
 Color: Brown  
 Height: 12 cm

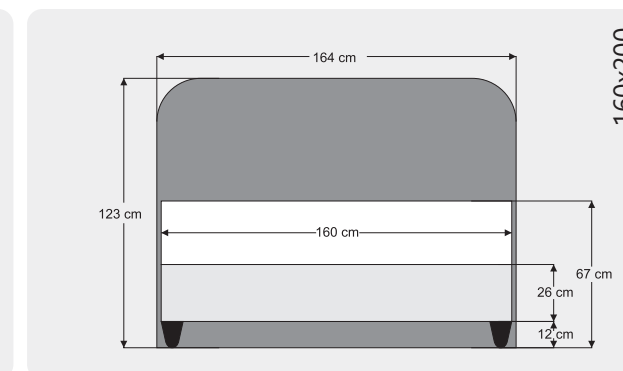
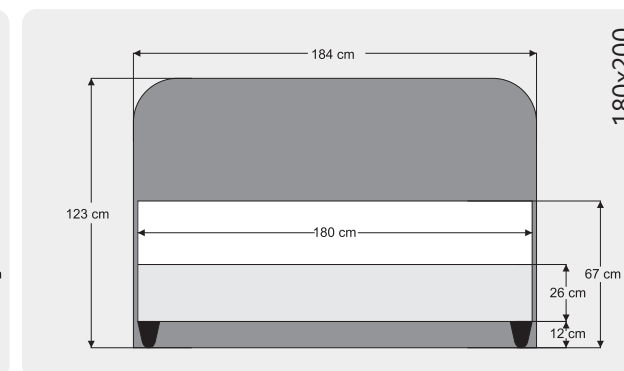
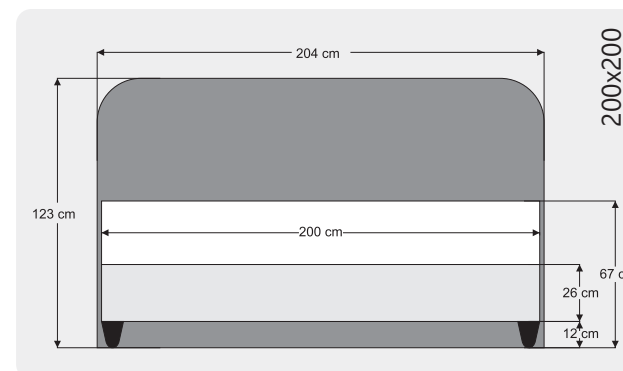
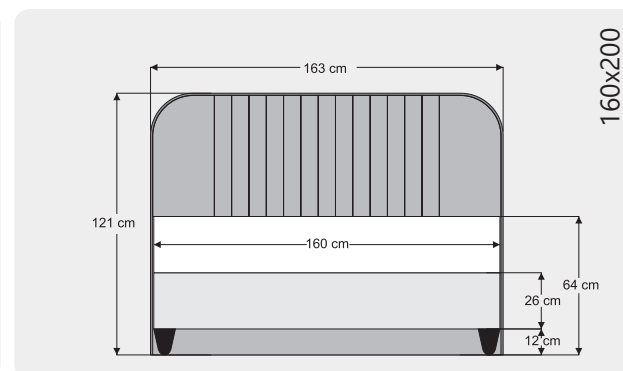
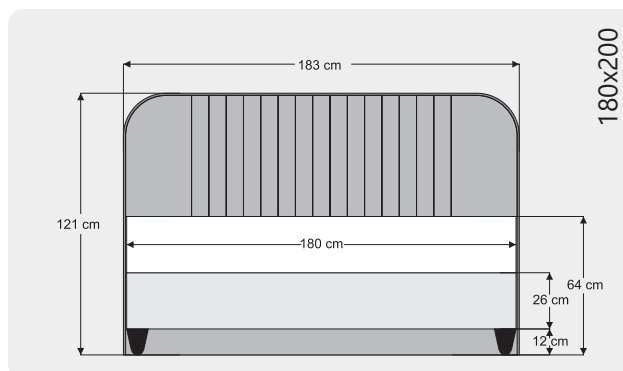
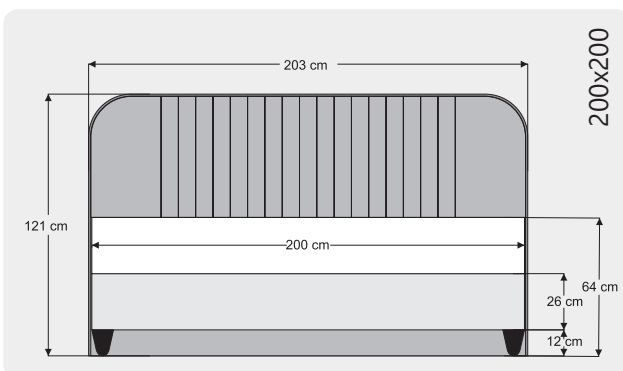


**POLY**  
 Color: White  
 Height: 12 cm

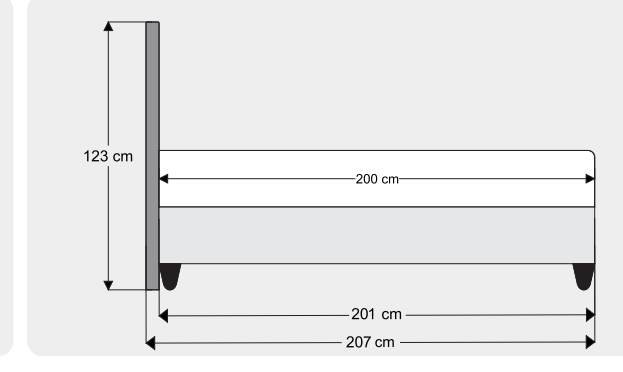
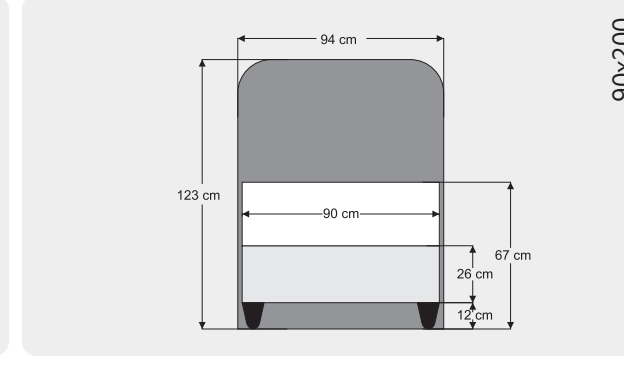
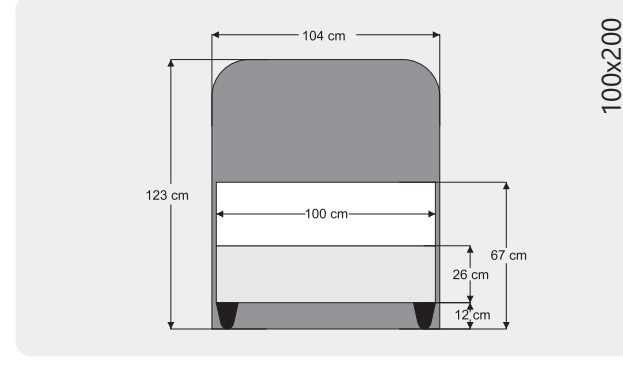
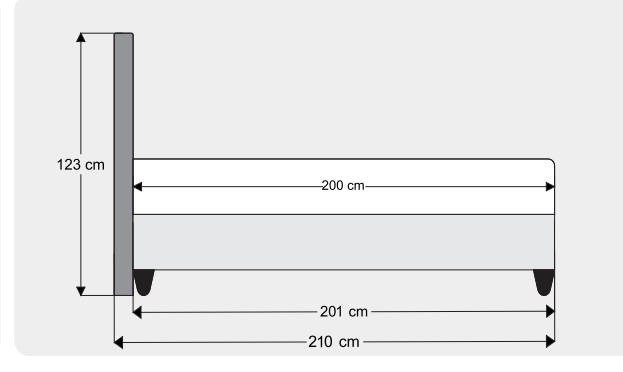
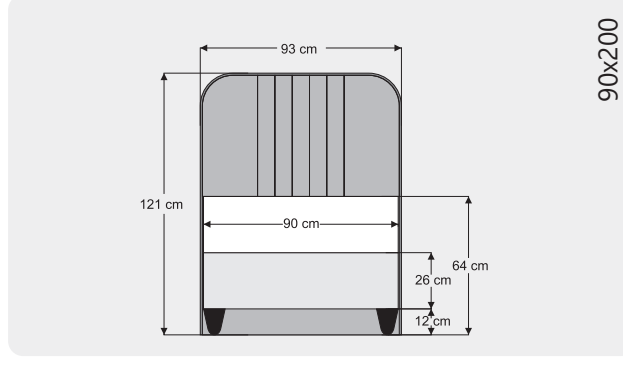
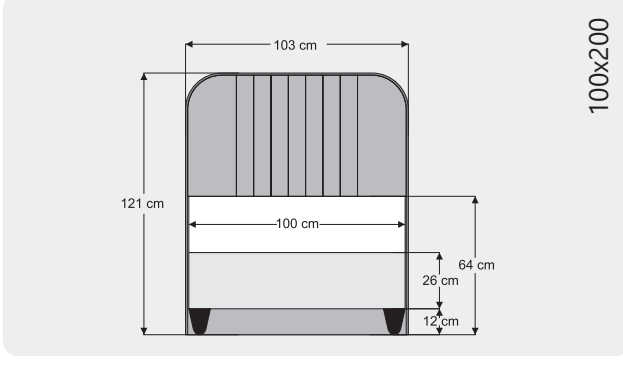
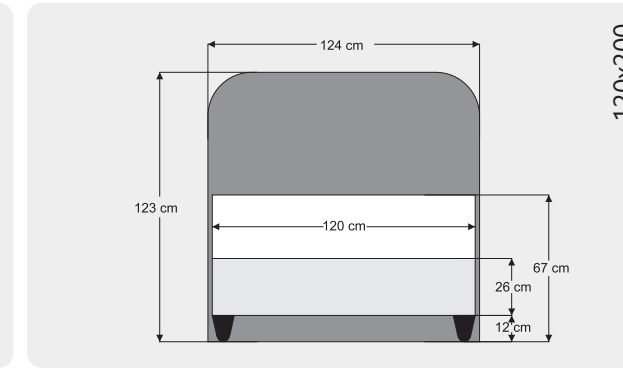
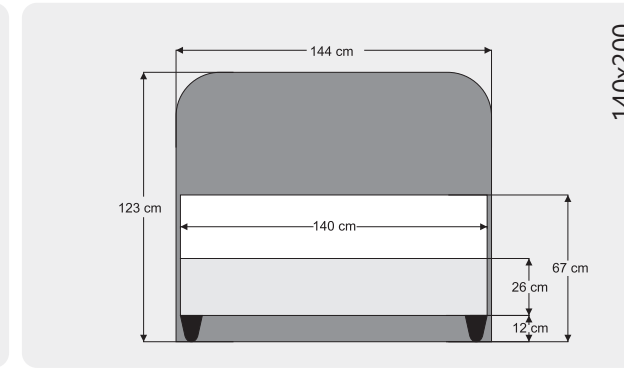
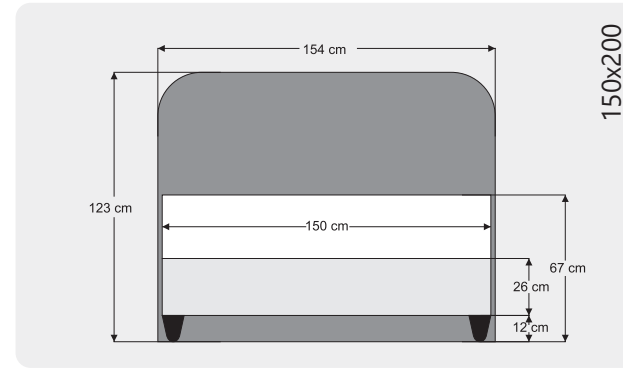
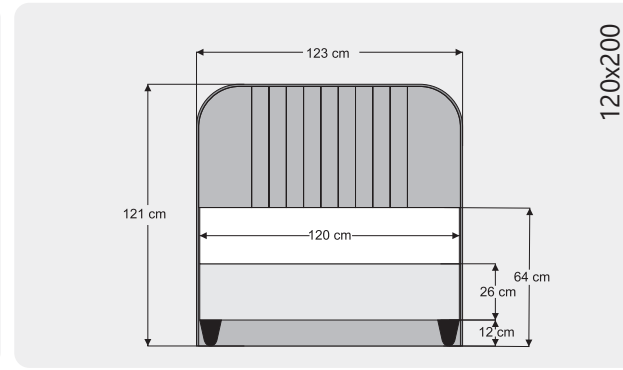
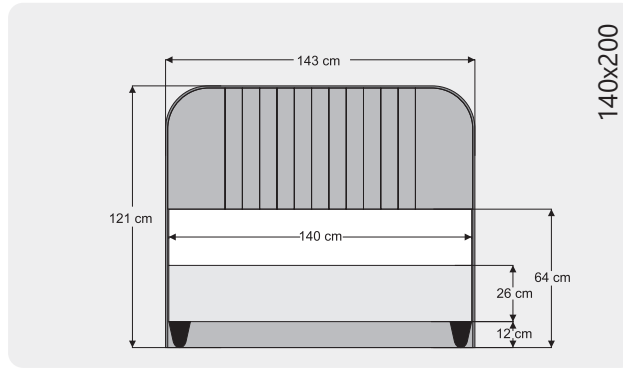
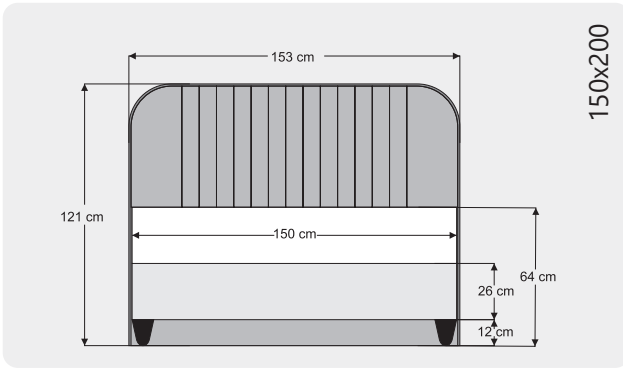


**BOHEM**  
 Color: walnut  
 Height: 12 cm

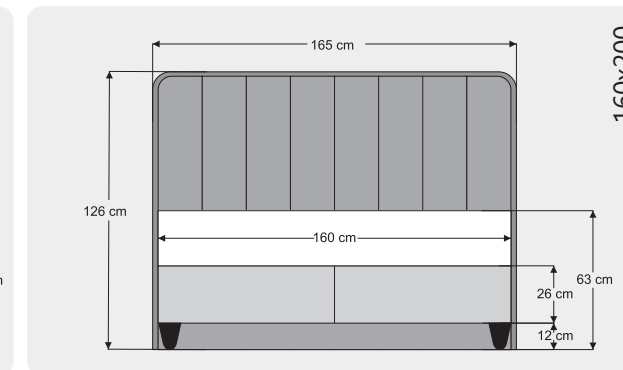
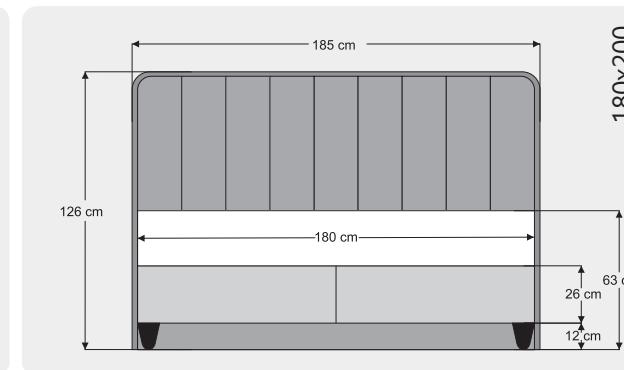
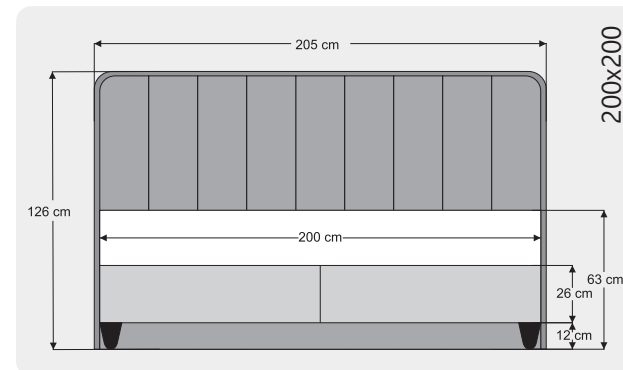
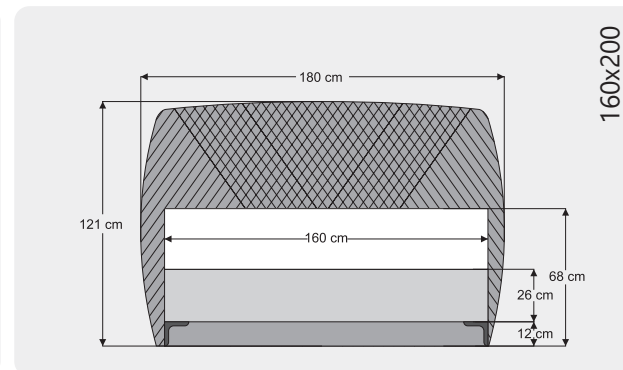
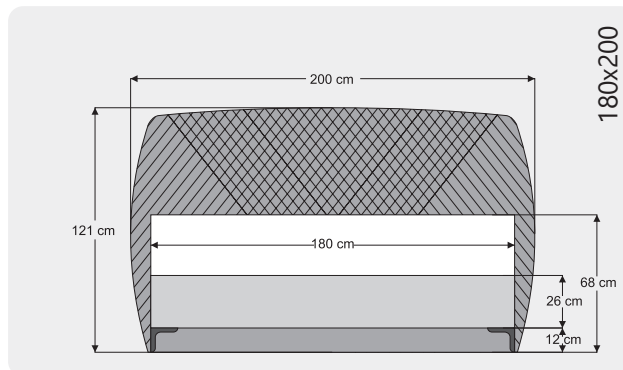
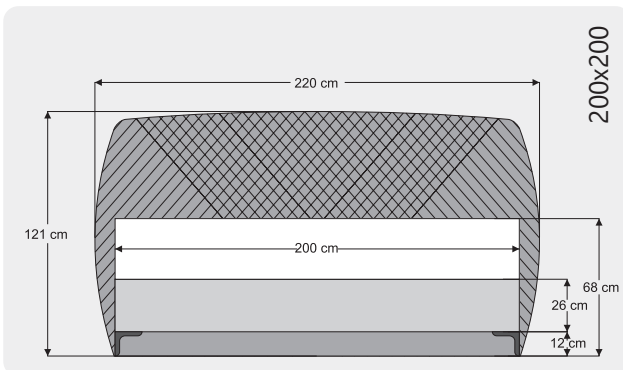
Sienna Line



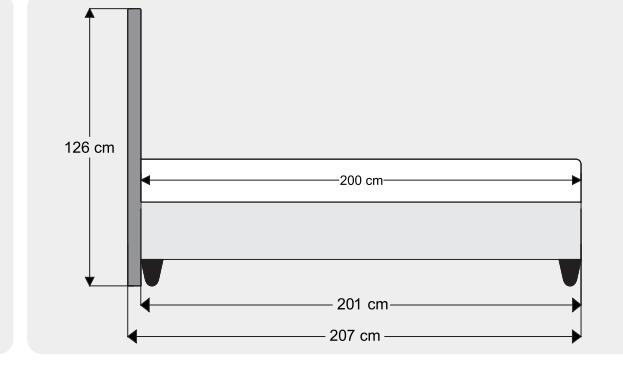
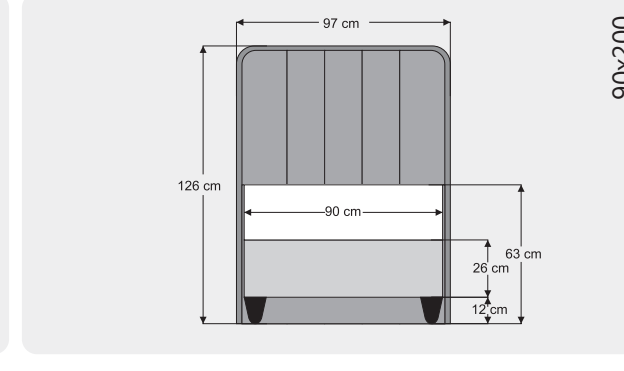
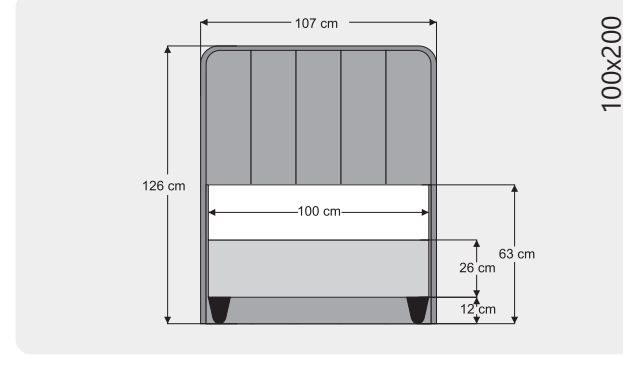
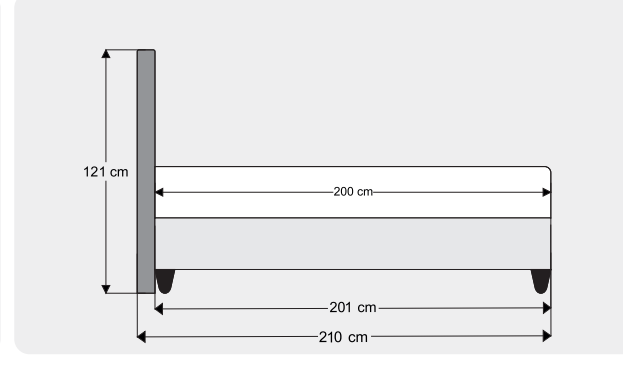
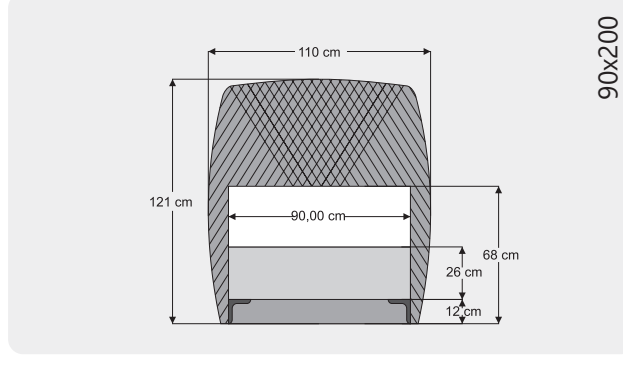
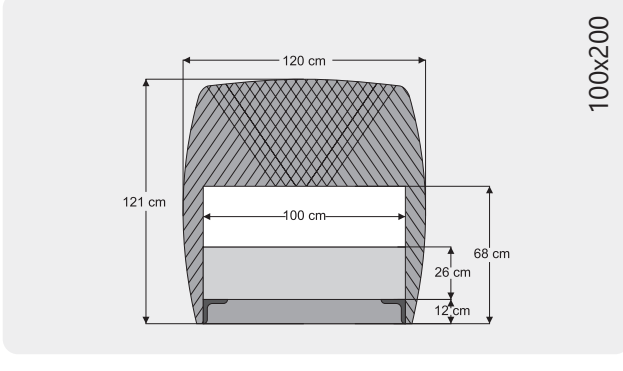
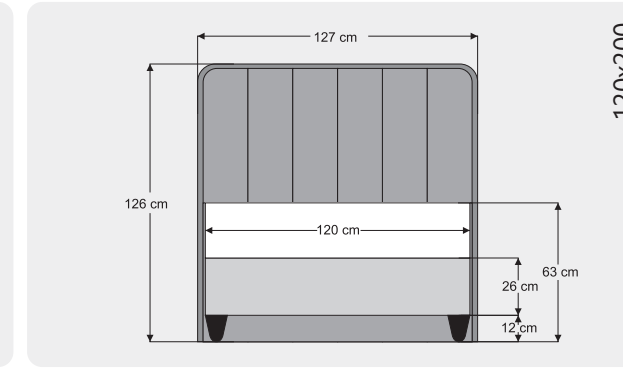
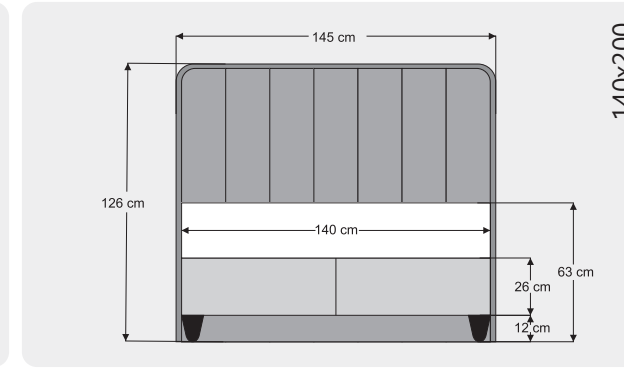
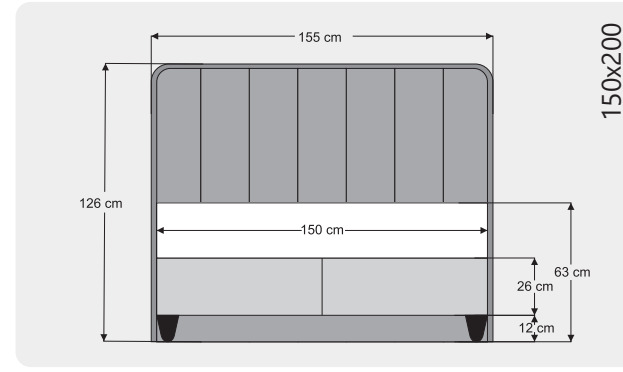
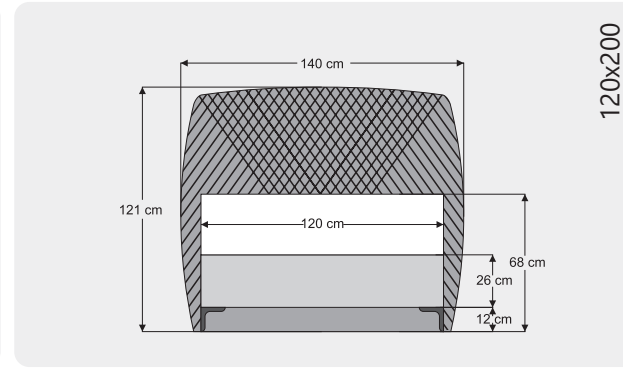
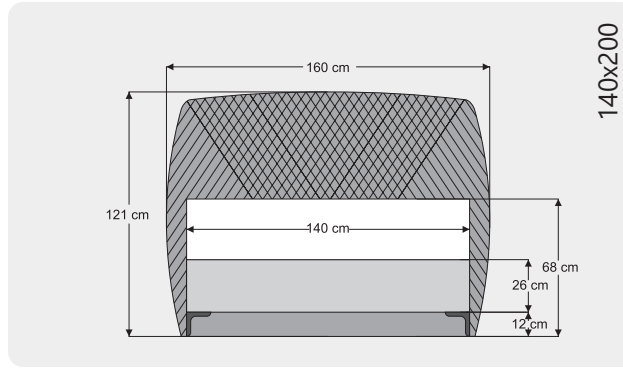
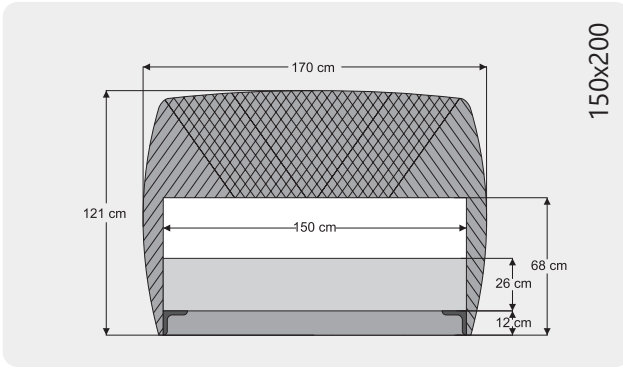
Bohem



Silver

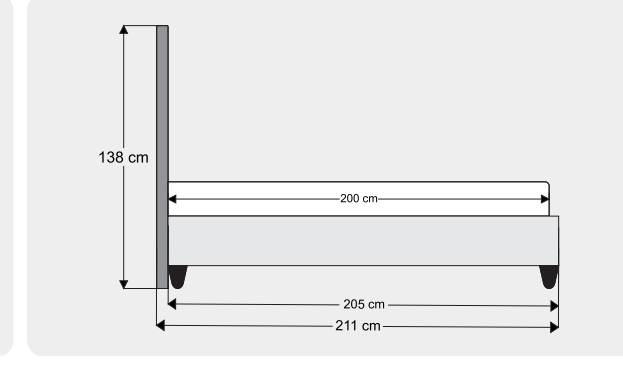
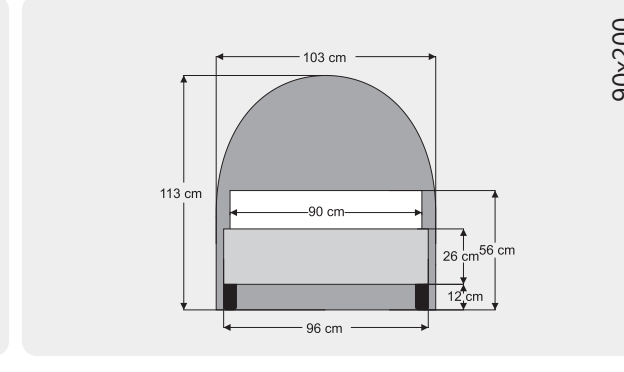
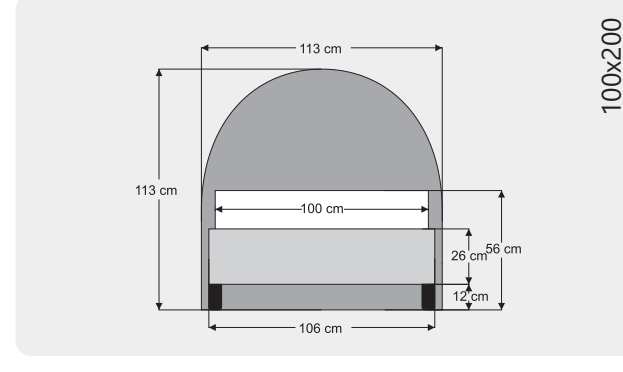
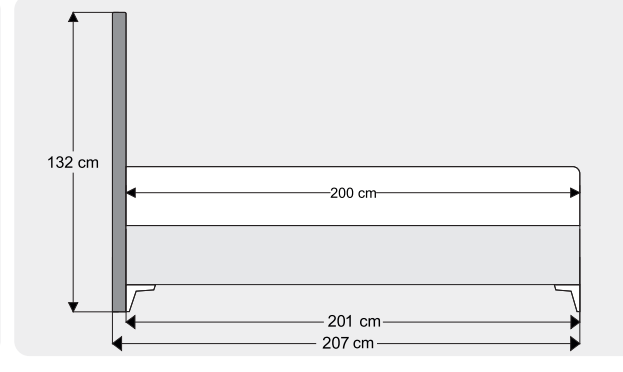
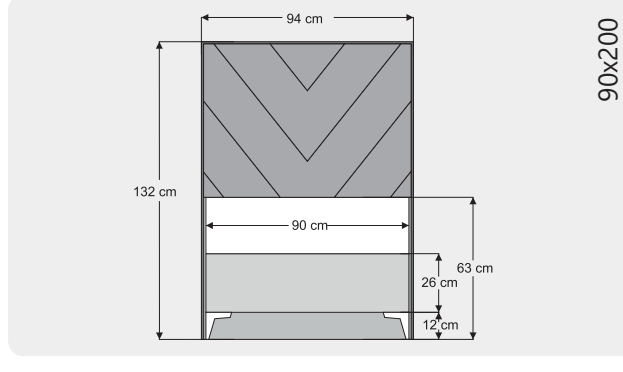
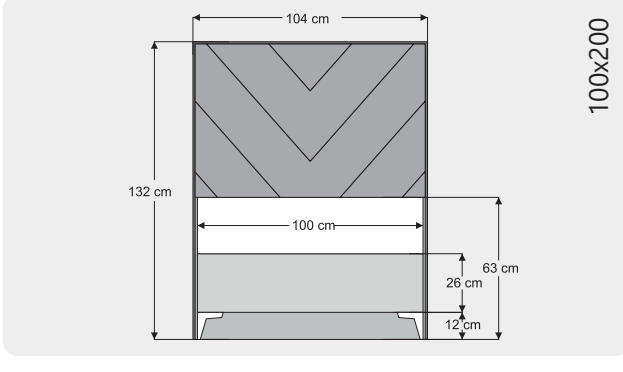
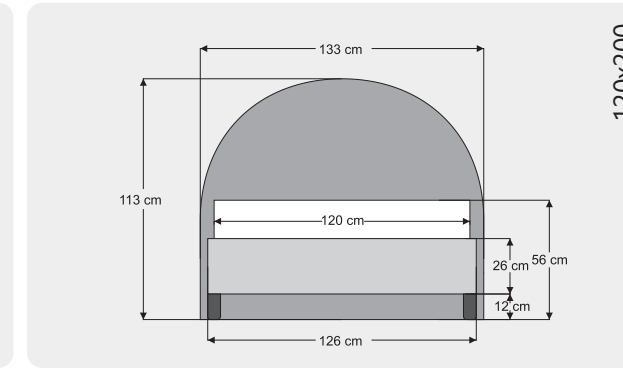
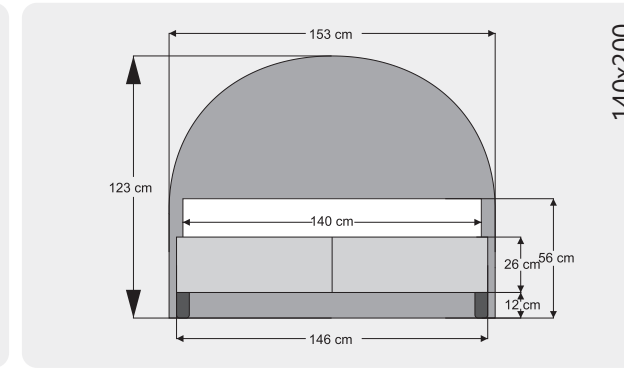
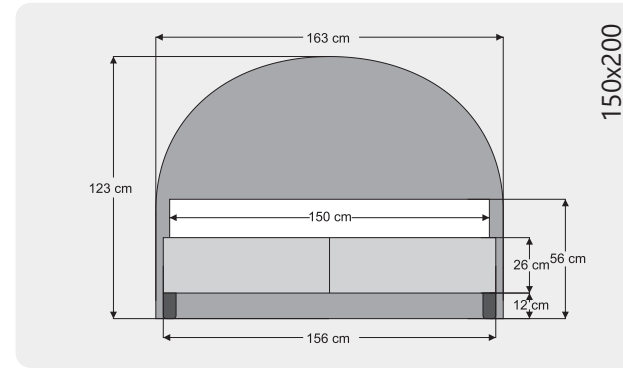
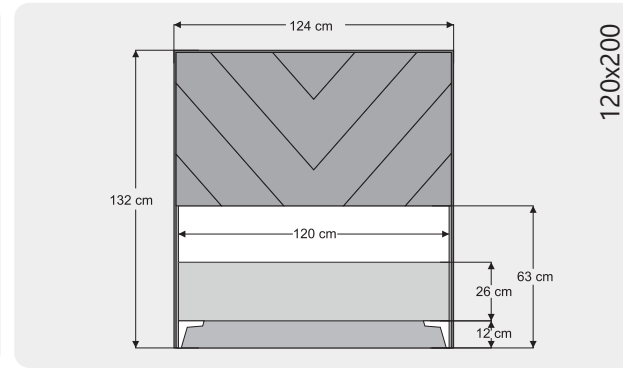
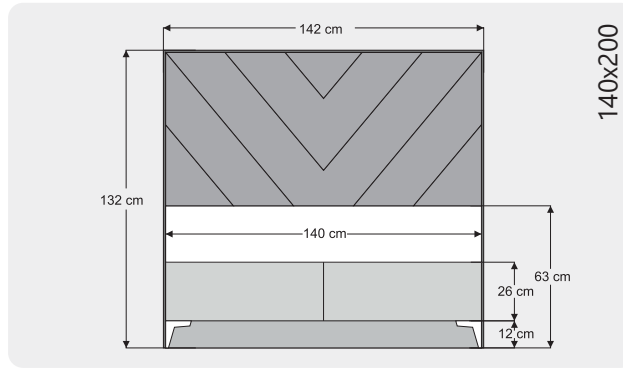
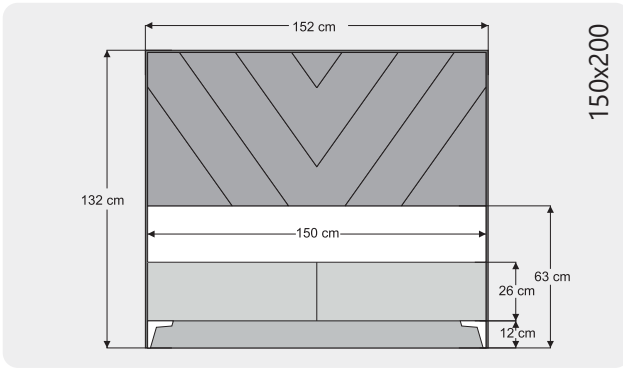
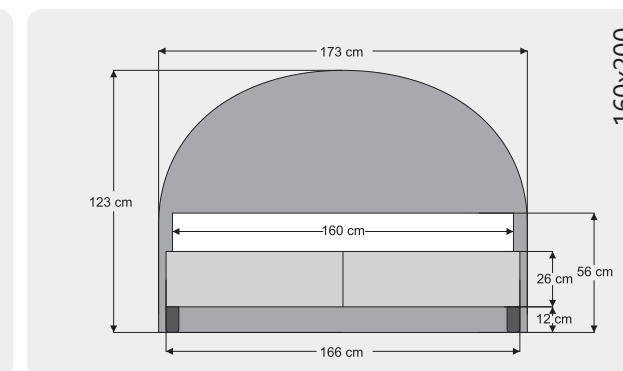
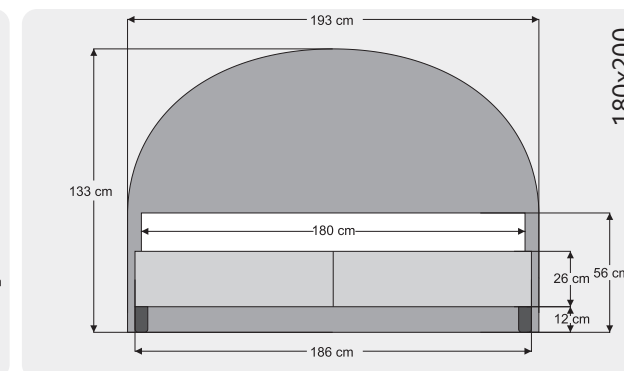
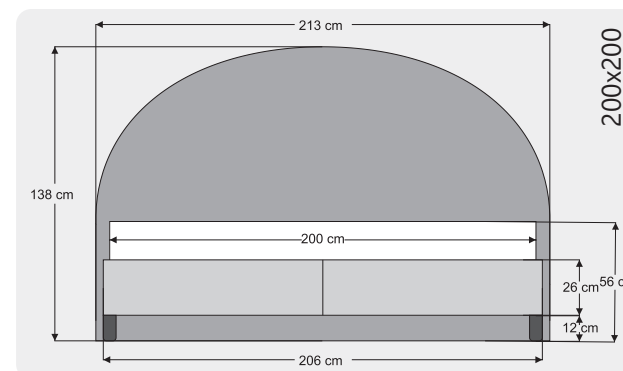
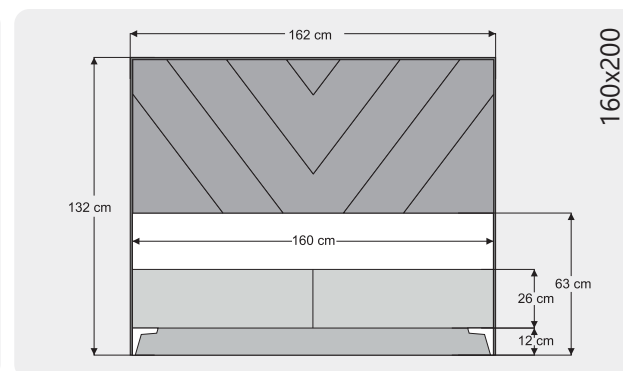
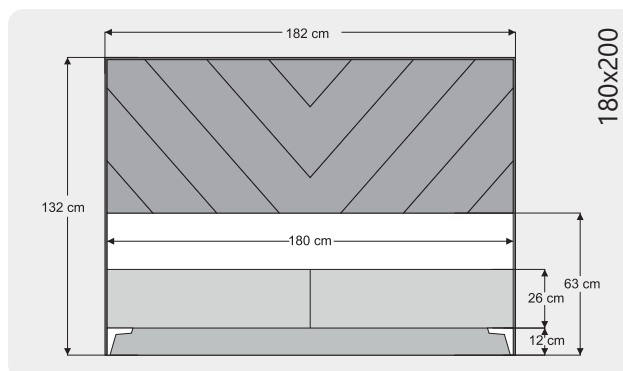
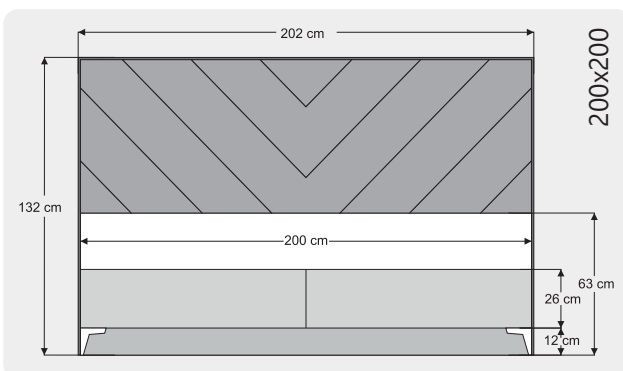


Diamond



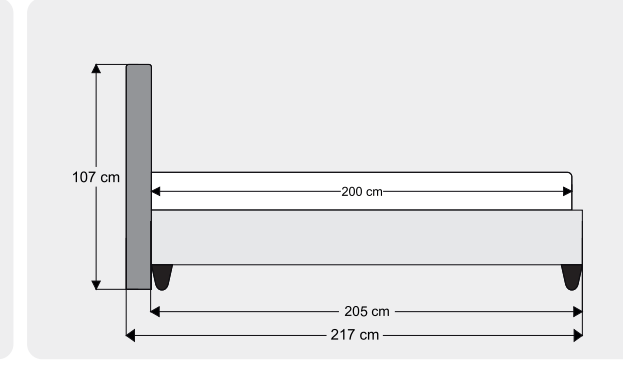
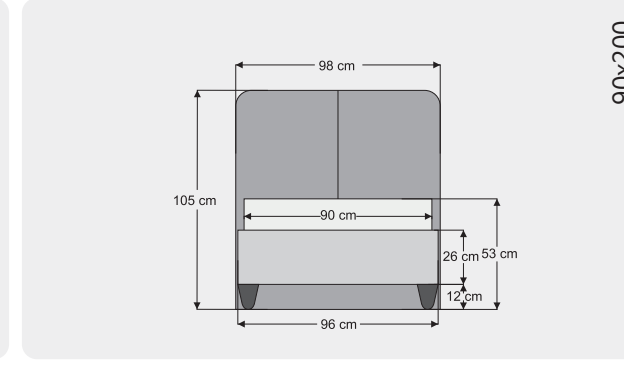
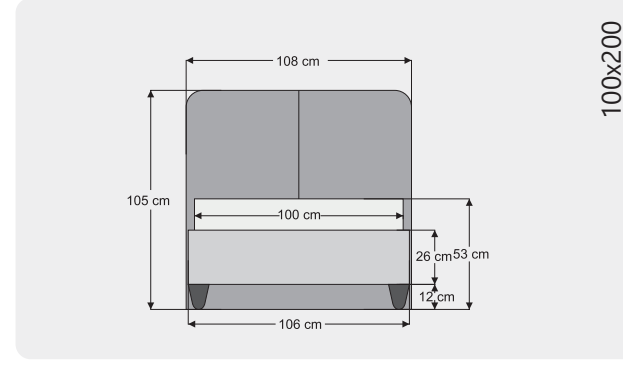
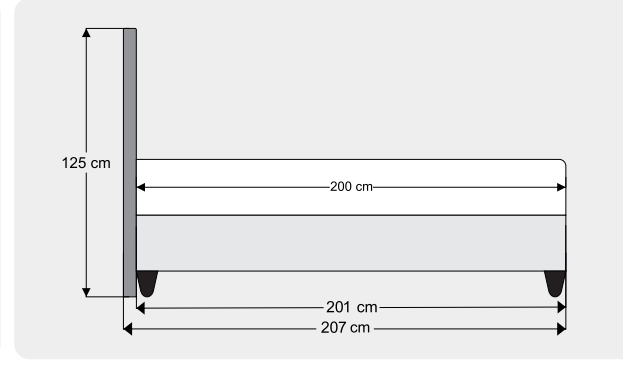
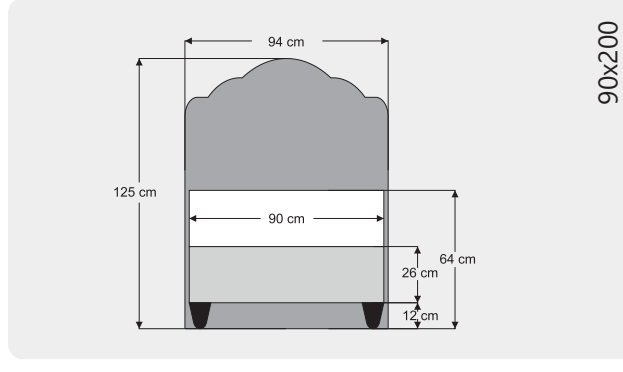
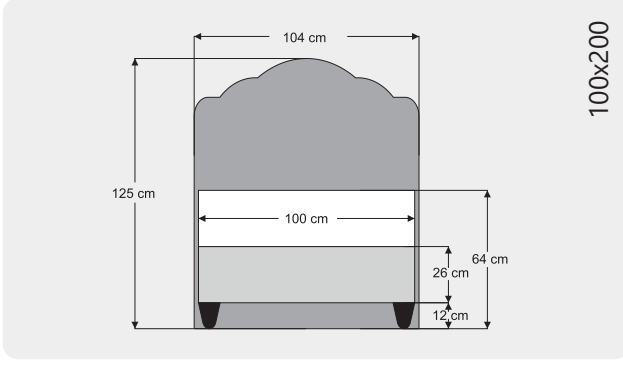
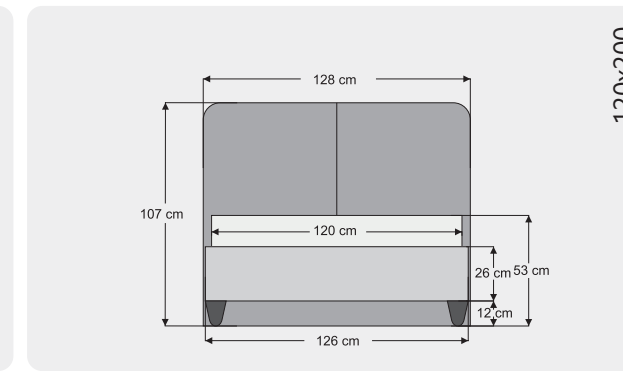
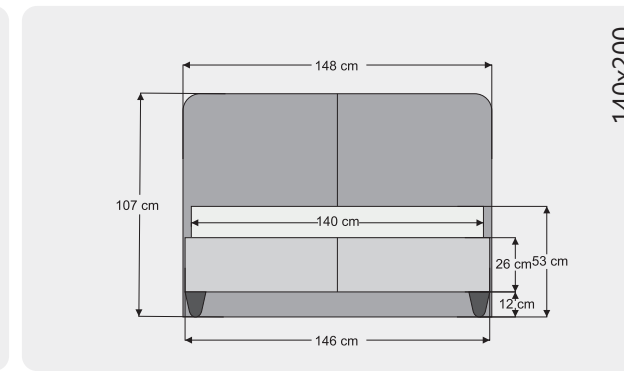
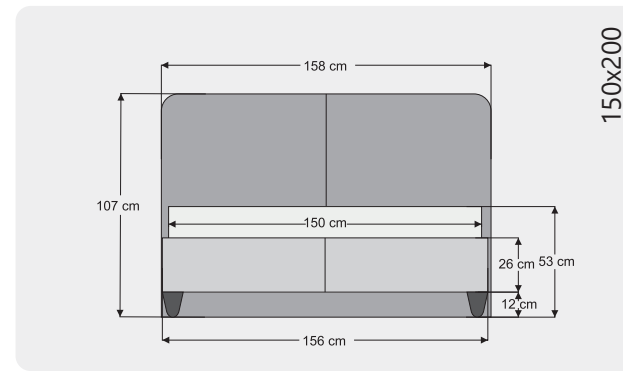
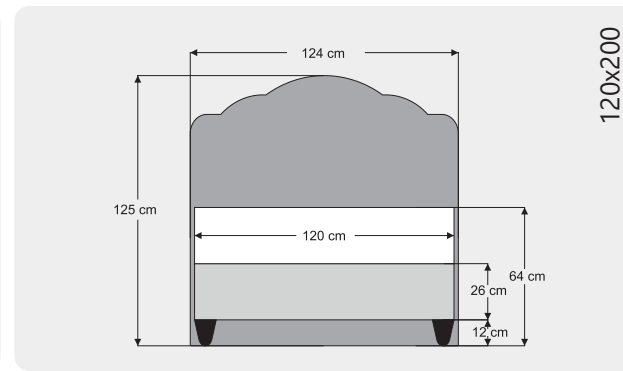
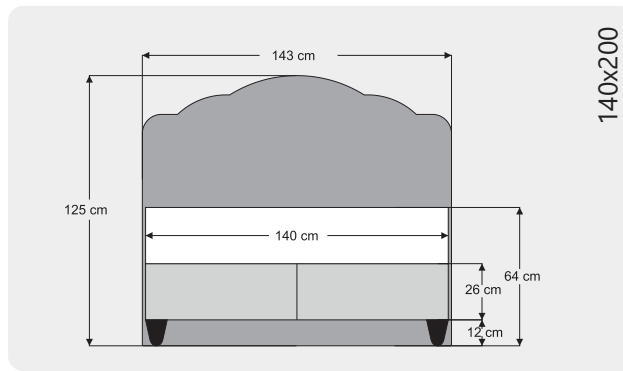
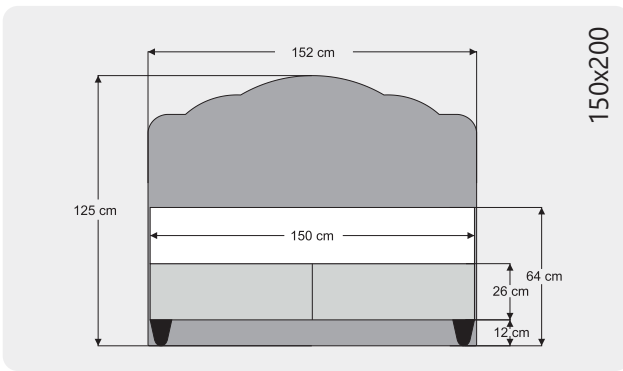
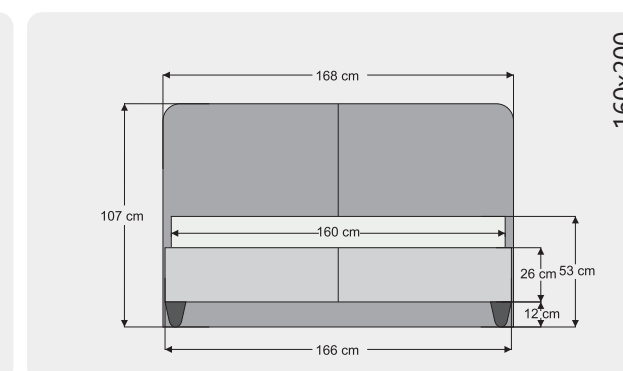
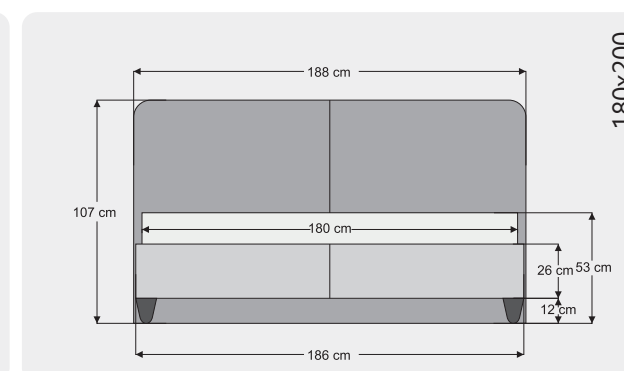
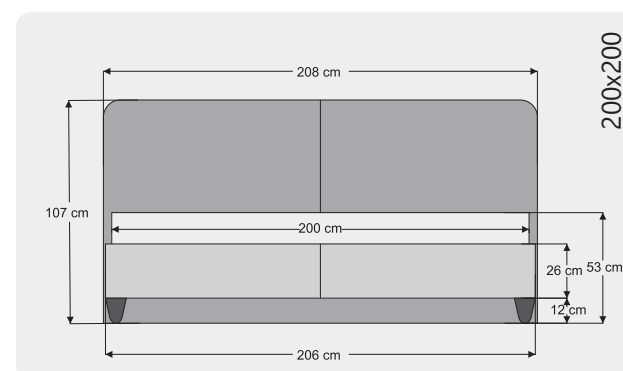
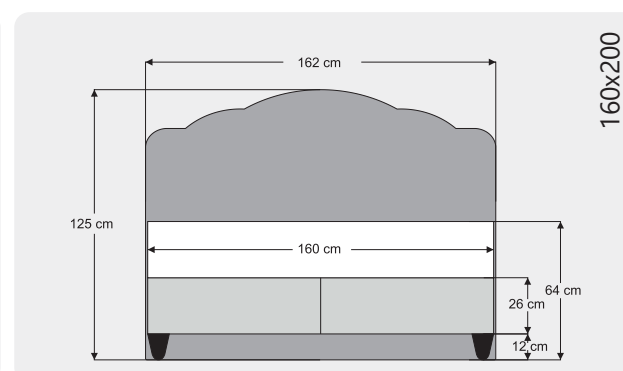
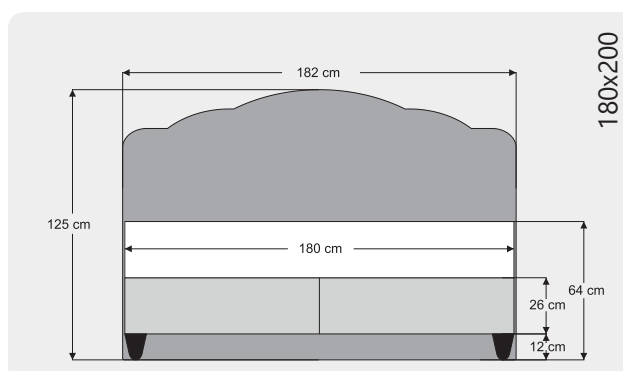
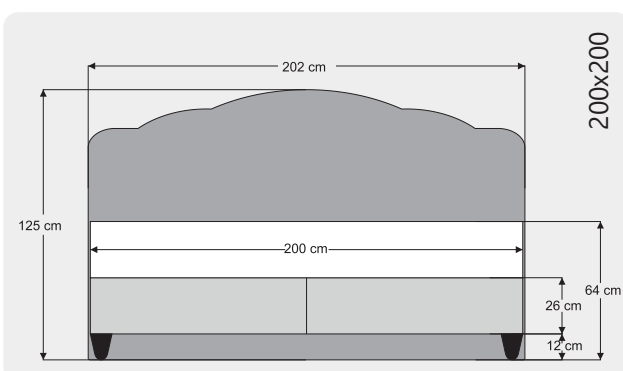


# Fun Double



# Point

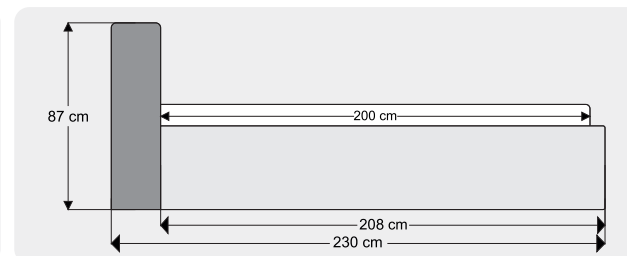
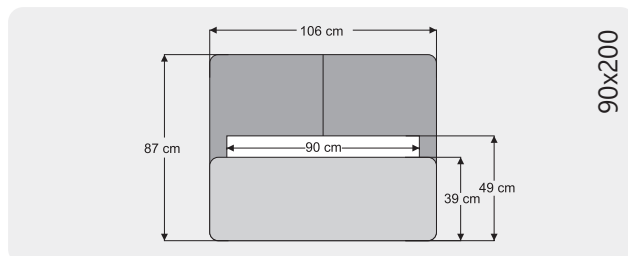
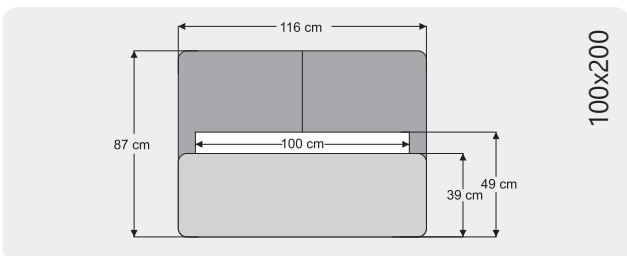
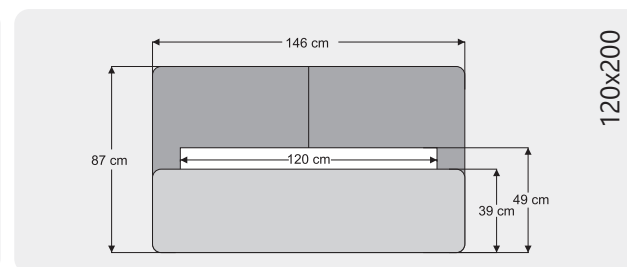
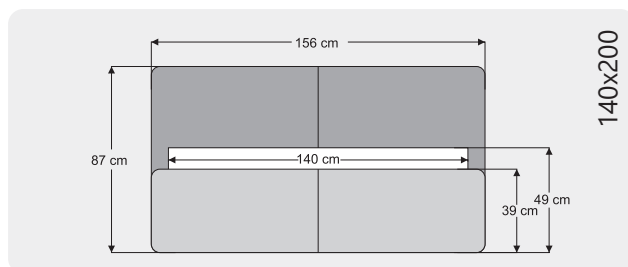
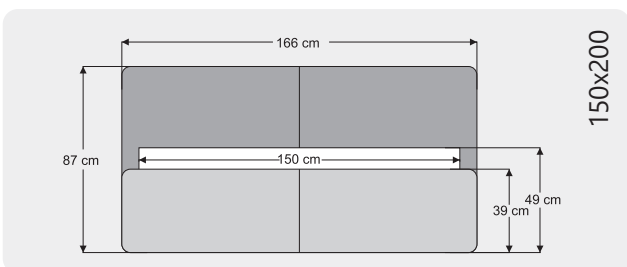
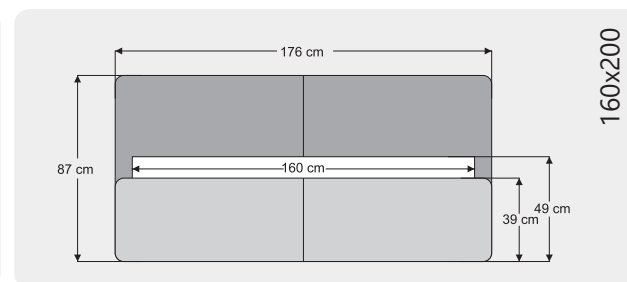
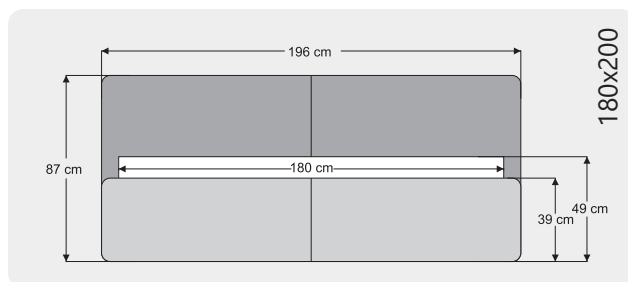
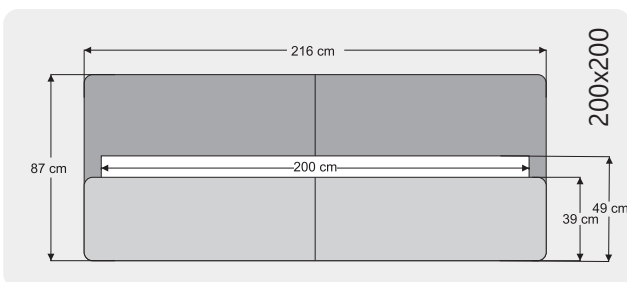
# Essential



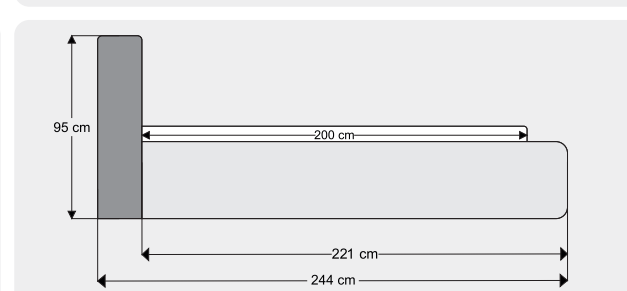
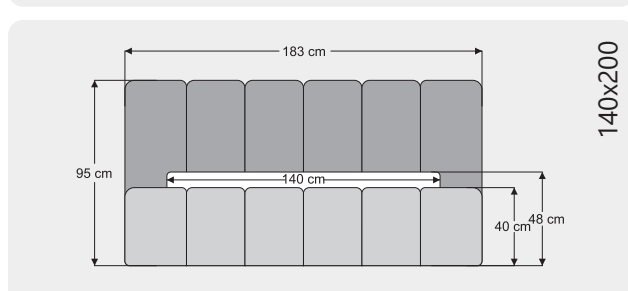
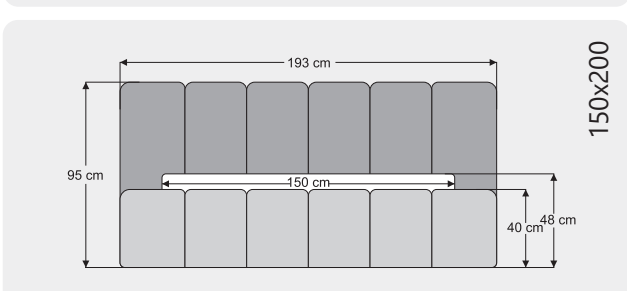
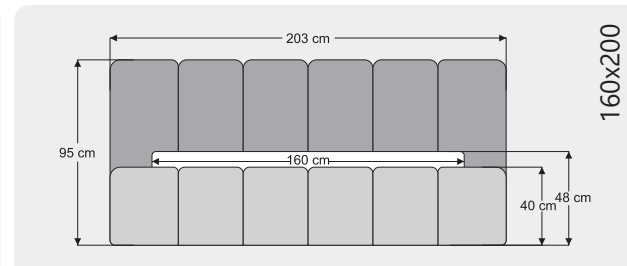
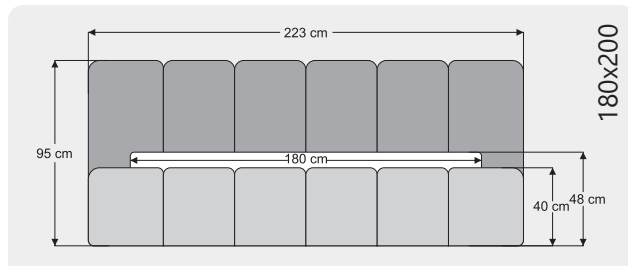
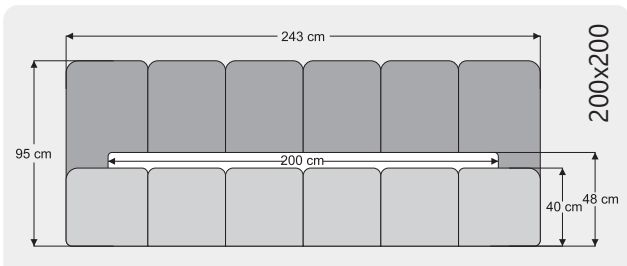
# Leda



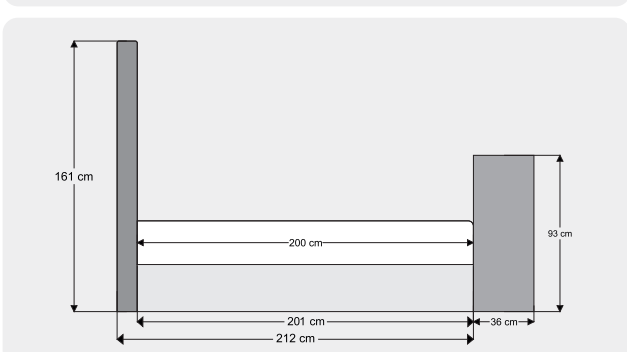
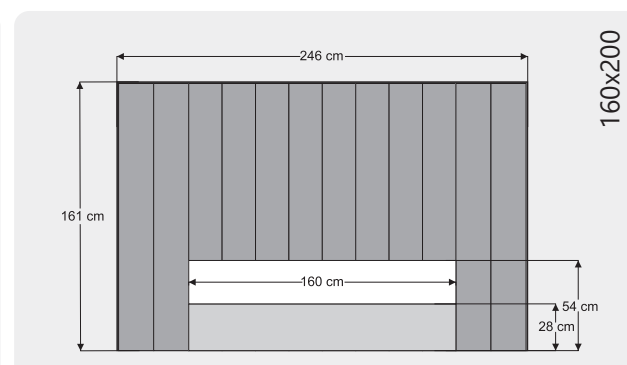
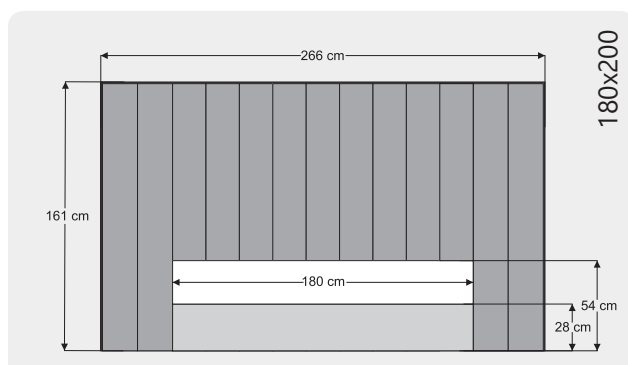
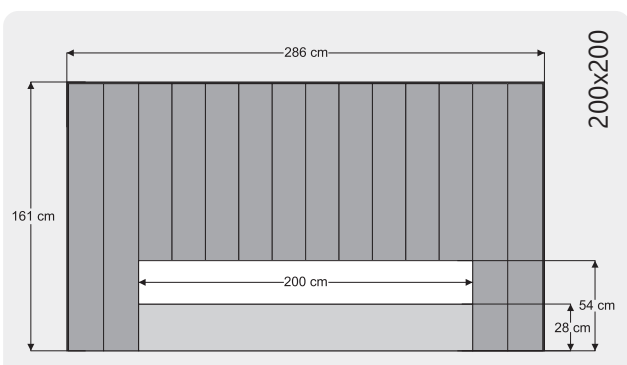
Liva



Cloud



Lucas



*Sleep & Beyond*



Discover the Revella Sleep Experience.

Shop with confidence in our stores, where high hygiene standards are maintained and our experienced sales team is ready to assist you every step of the way.

Adress: Ondokuz Mayıs OSB Mah Karadeniz  
Bulvarı No: 58 İç Kapı No: 1 Tekkeköy / SAMSUN  
Telephone: 0362 266 66 94  
Telephone GSM: 0543 238 28 68  
E mail: info@revella.com.tr

